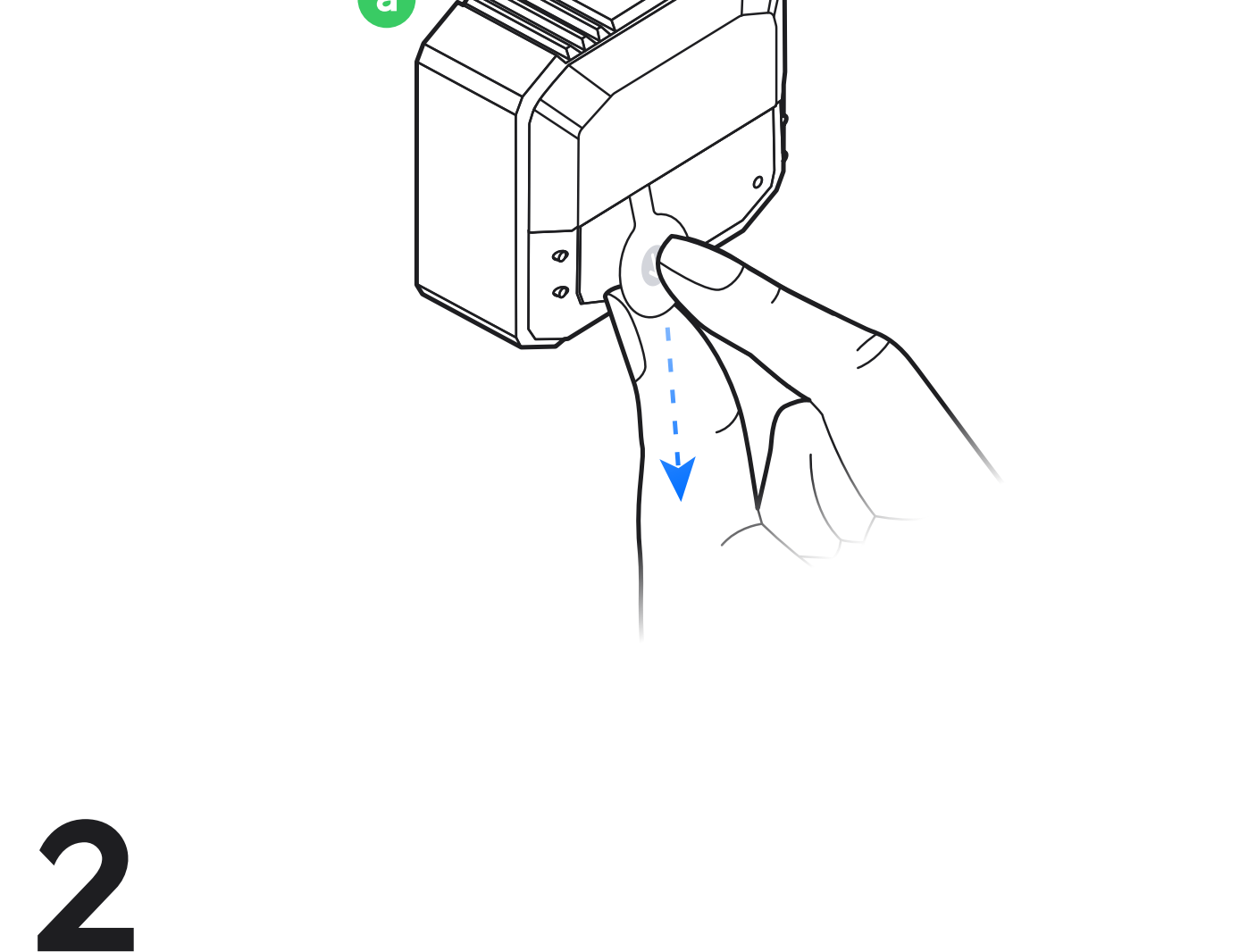
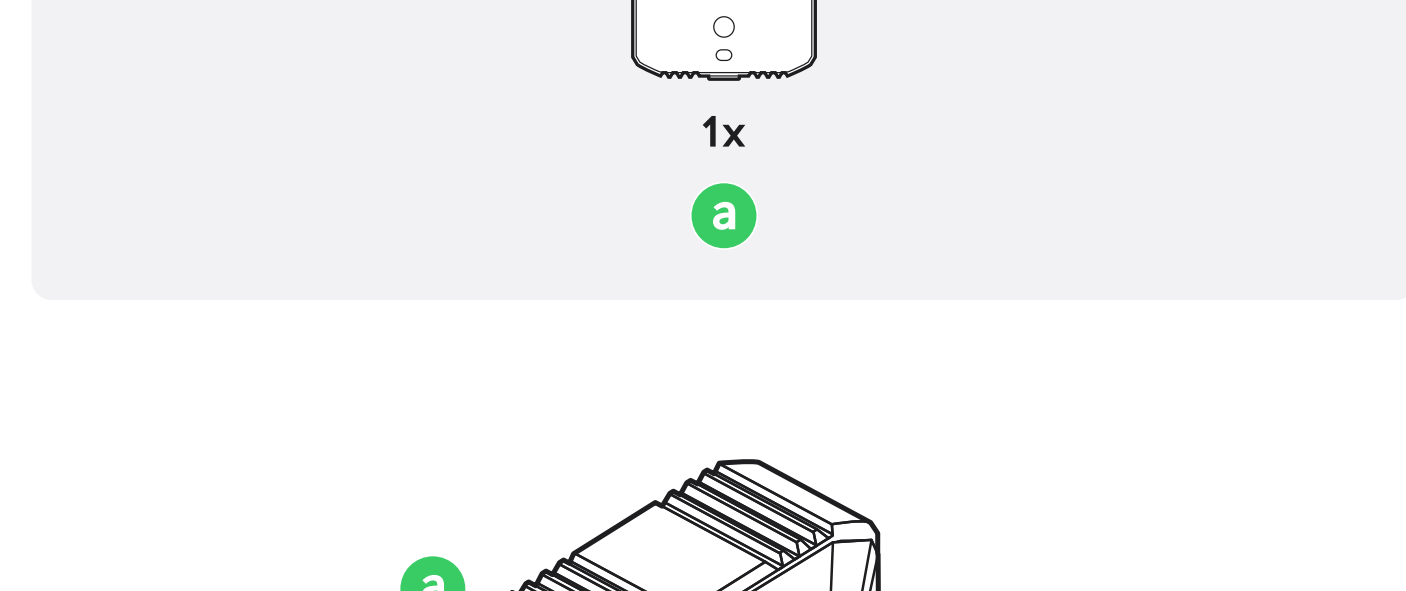
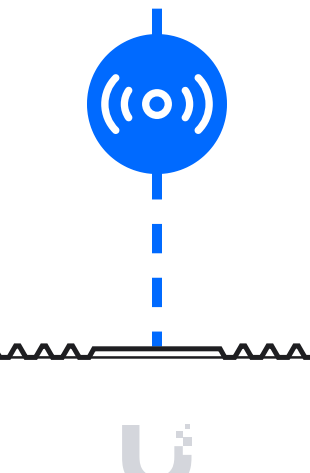
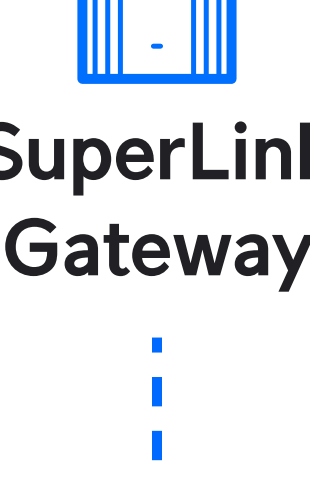
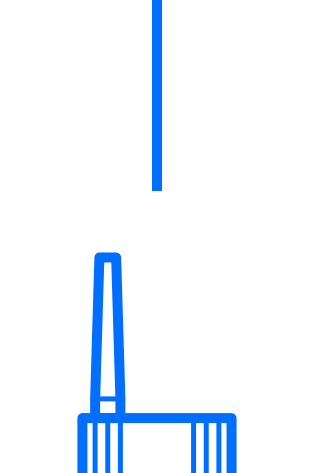
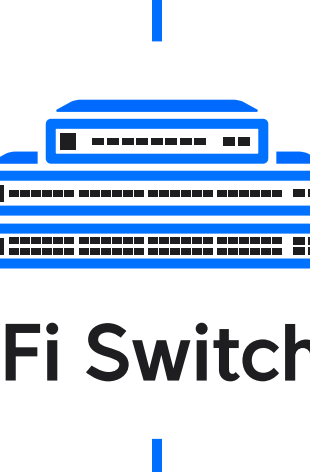
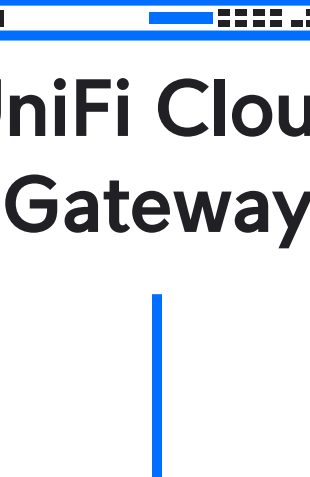
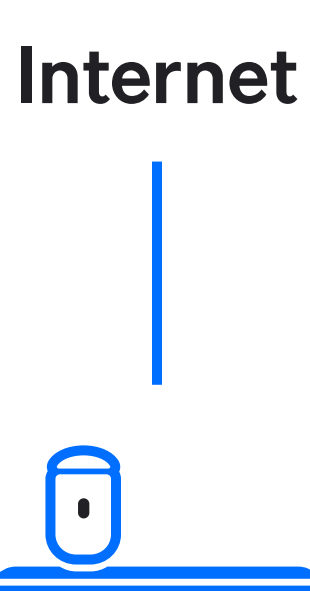


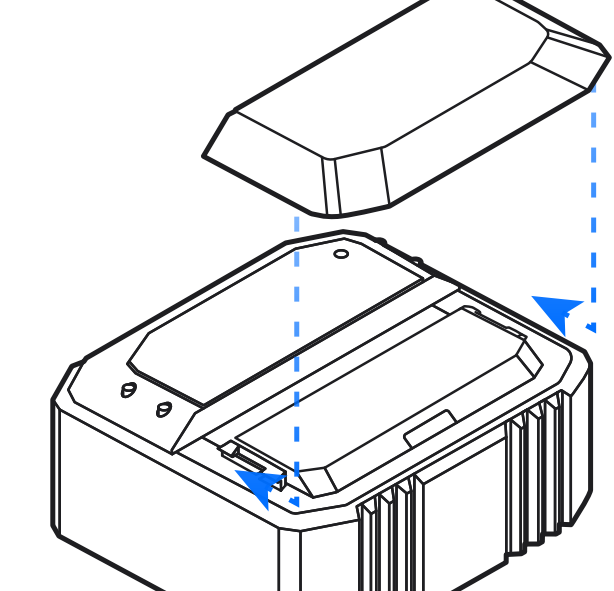
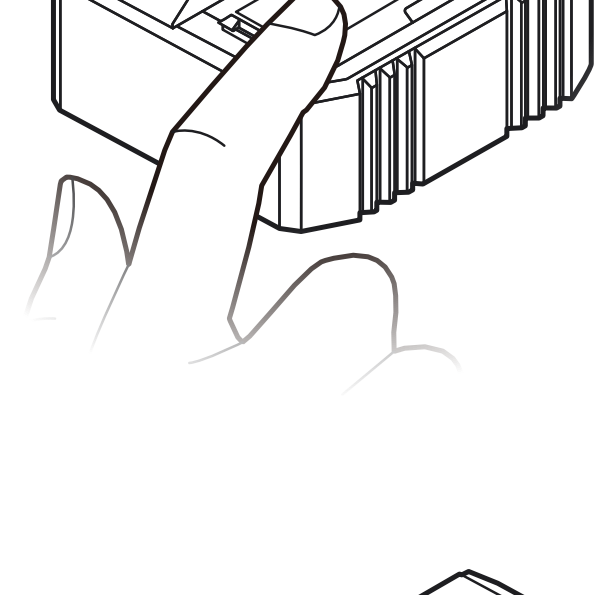
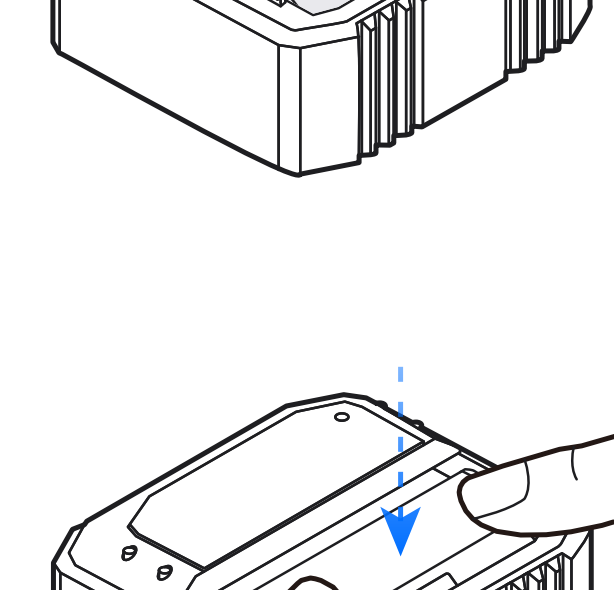
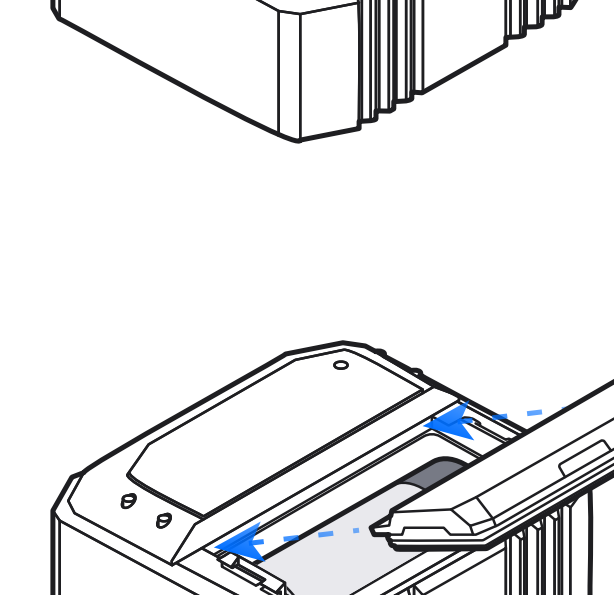
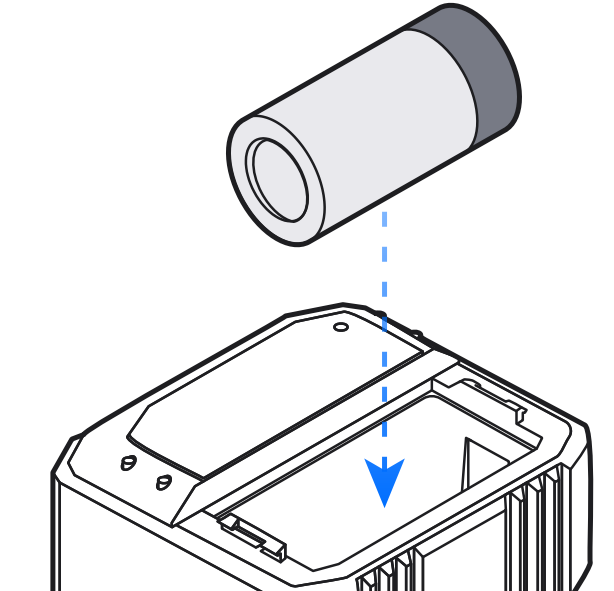
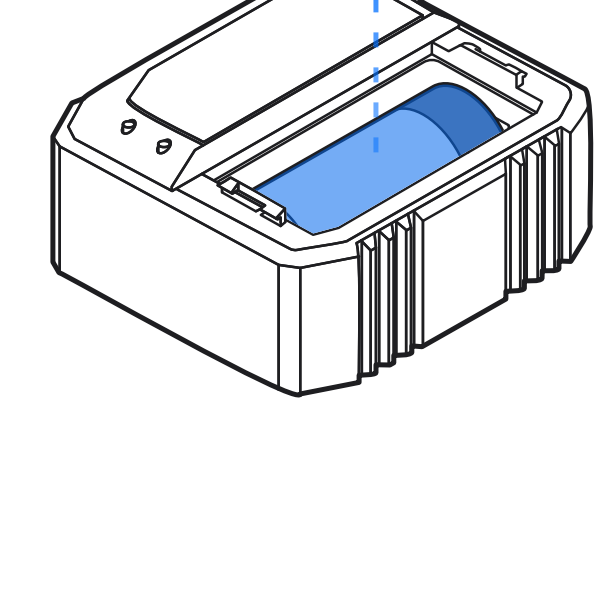
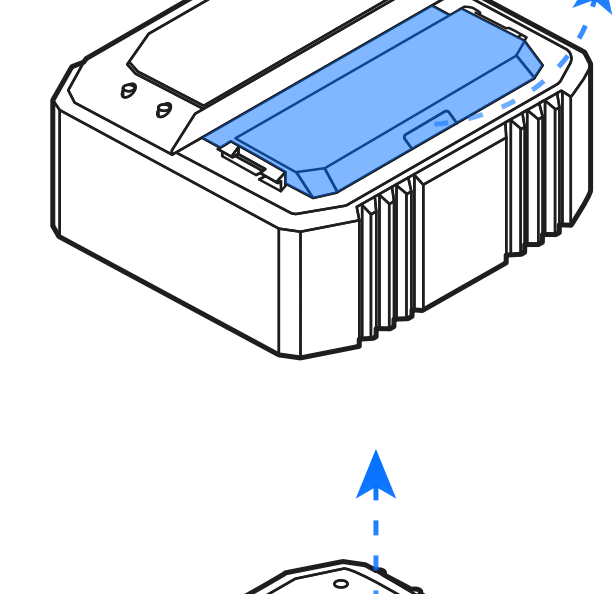
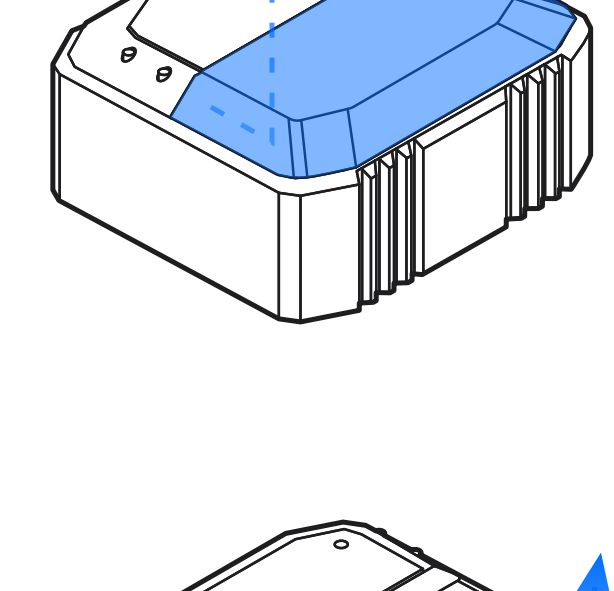
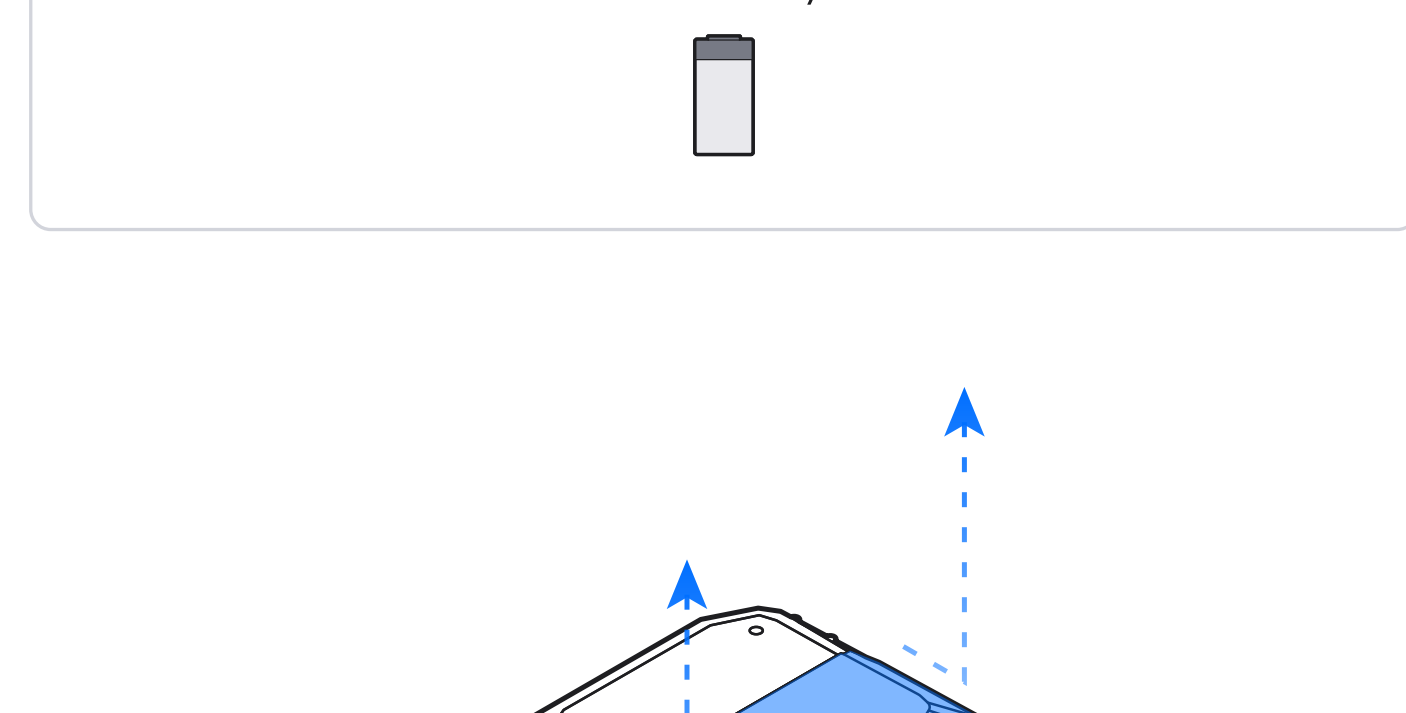
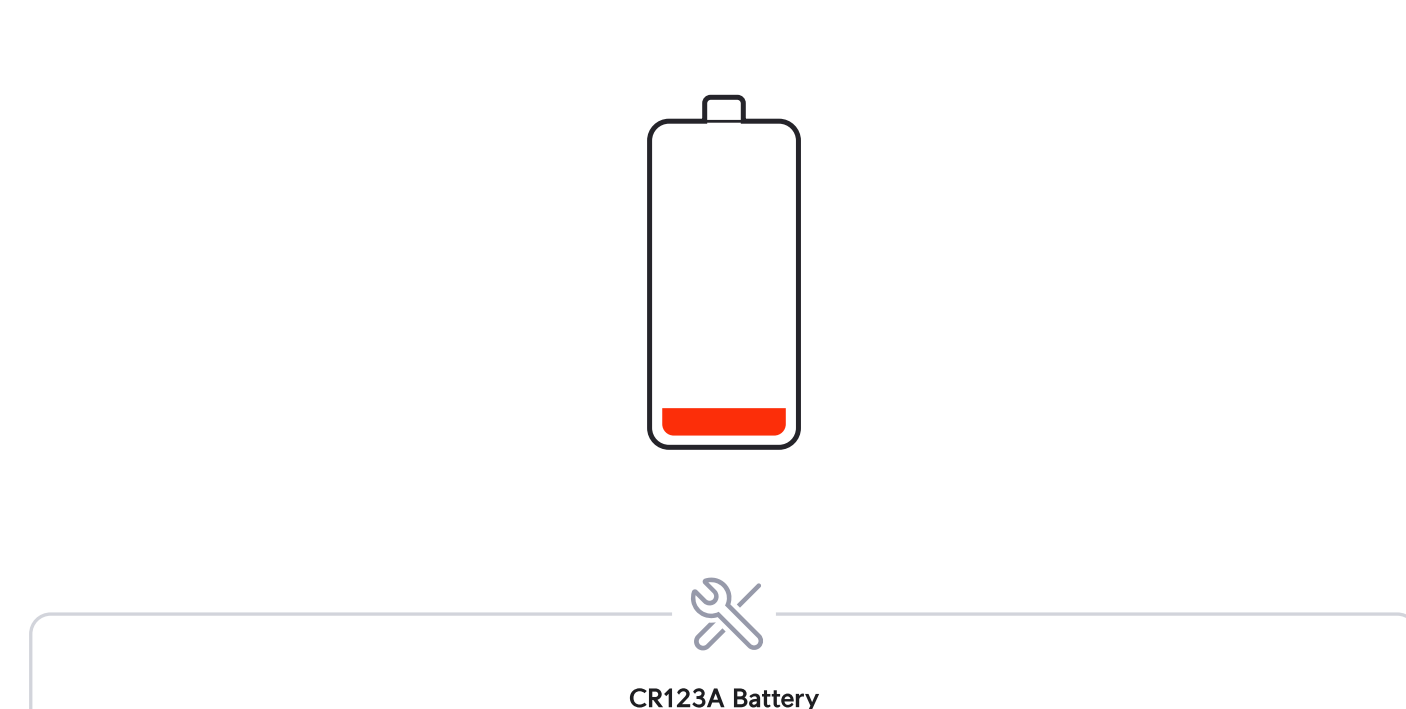
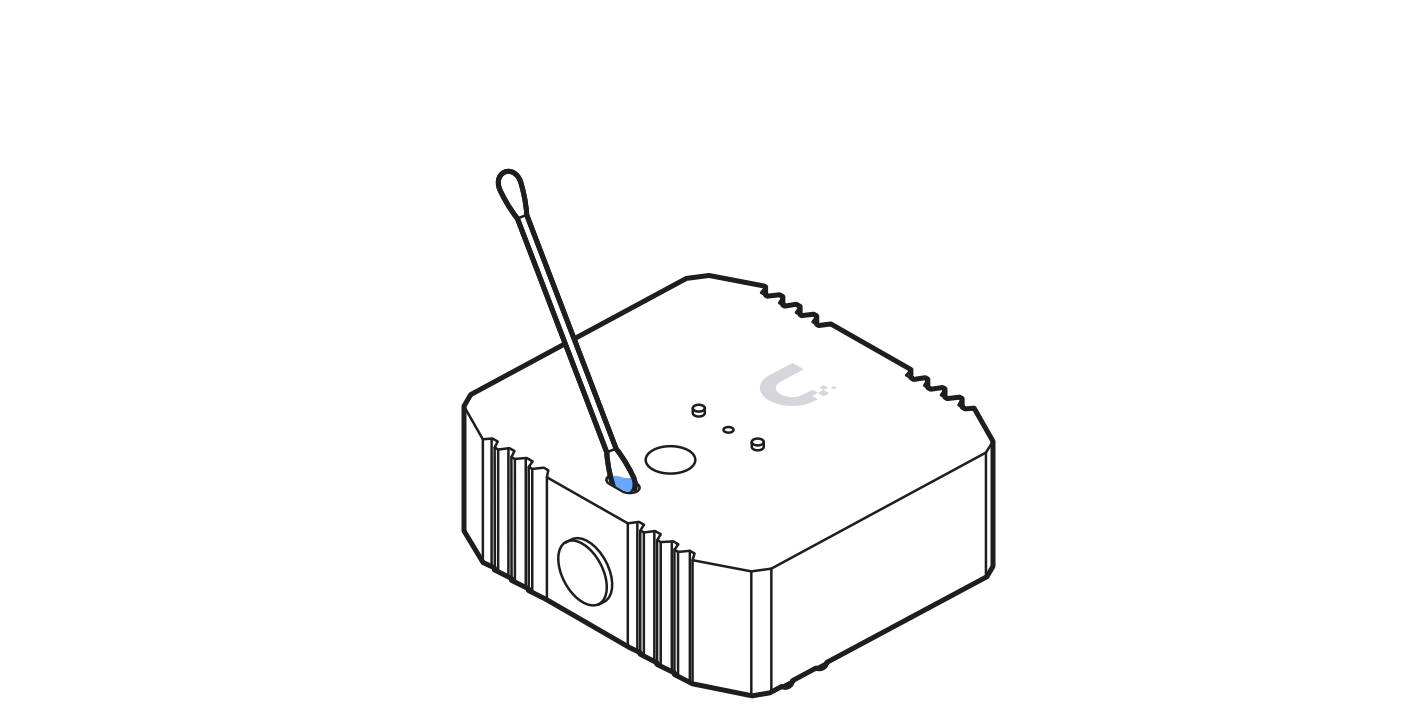
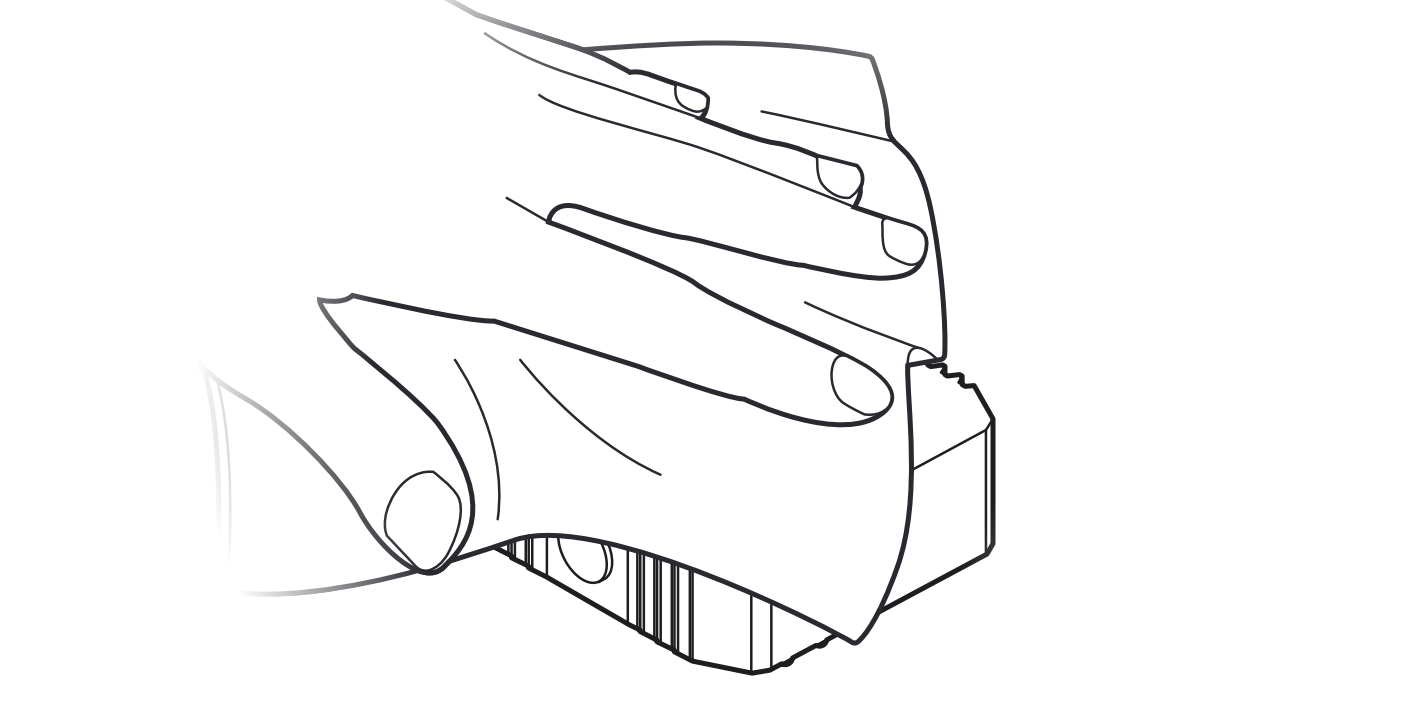
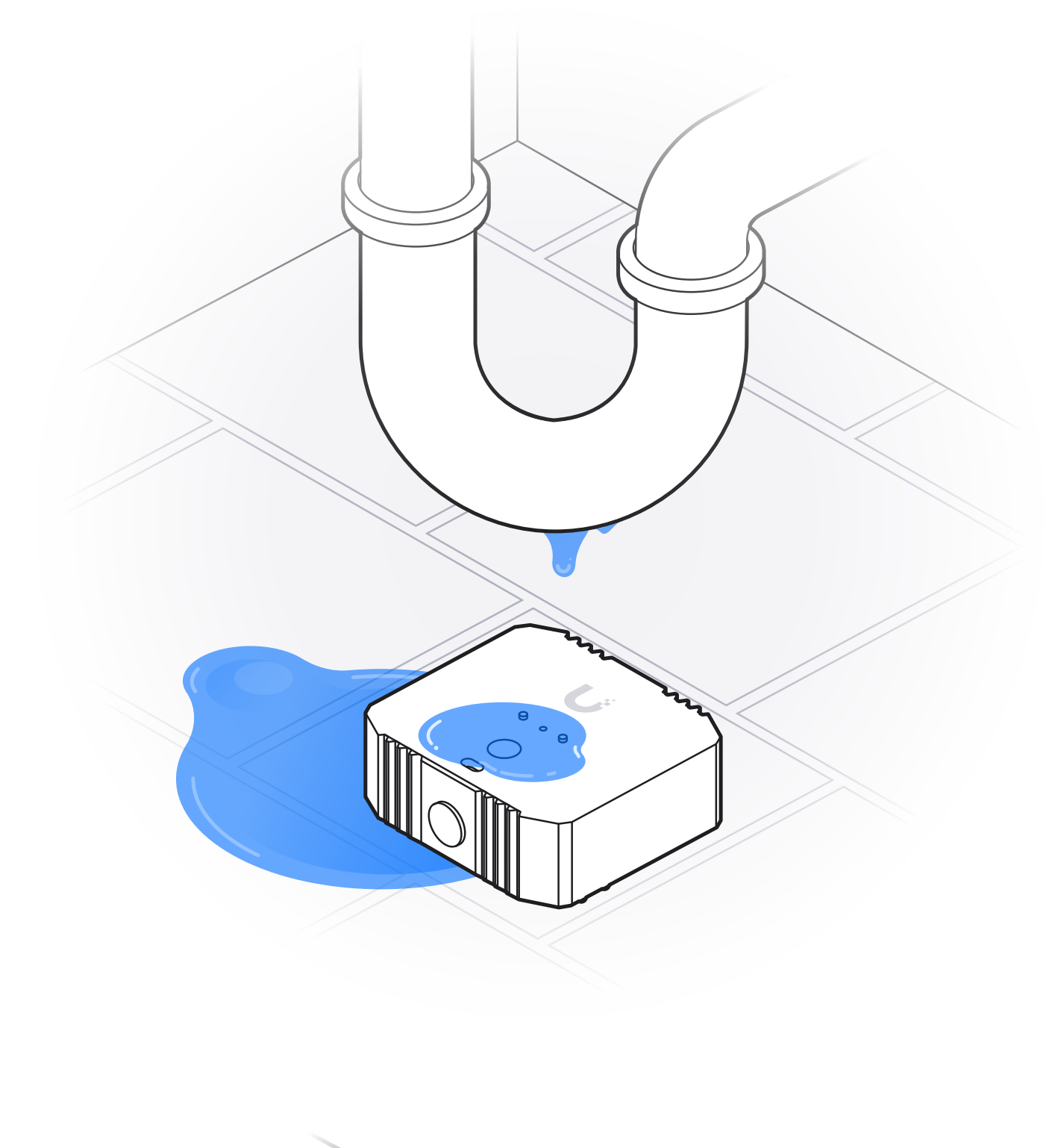
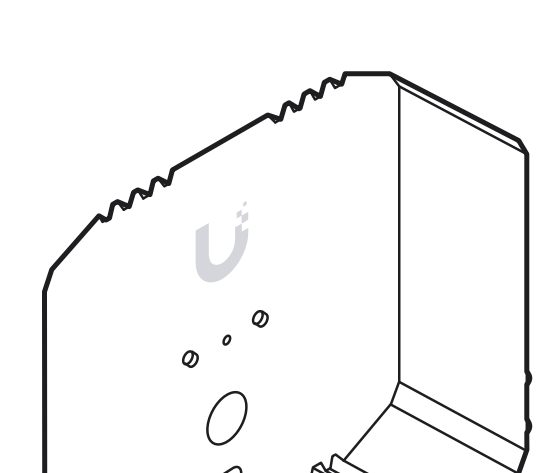
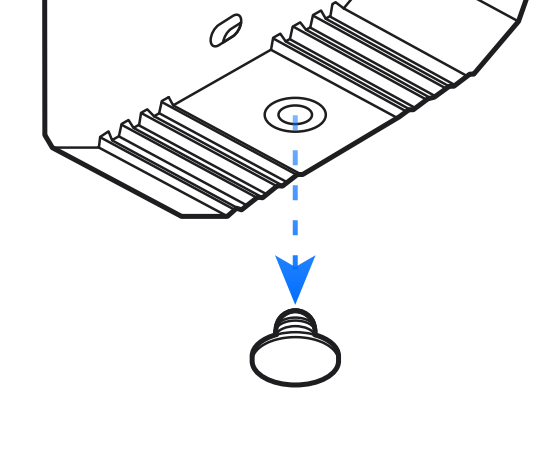
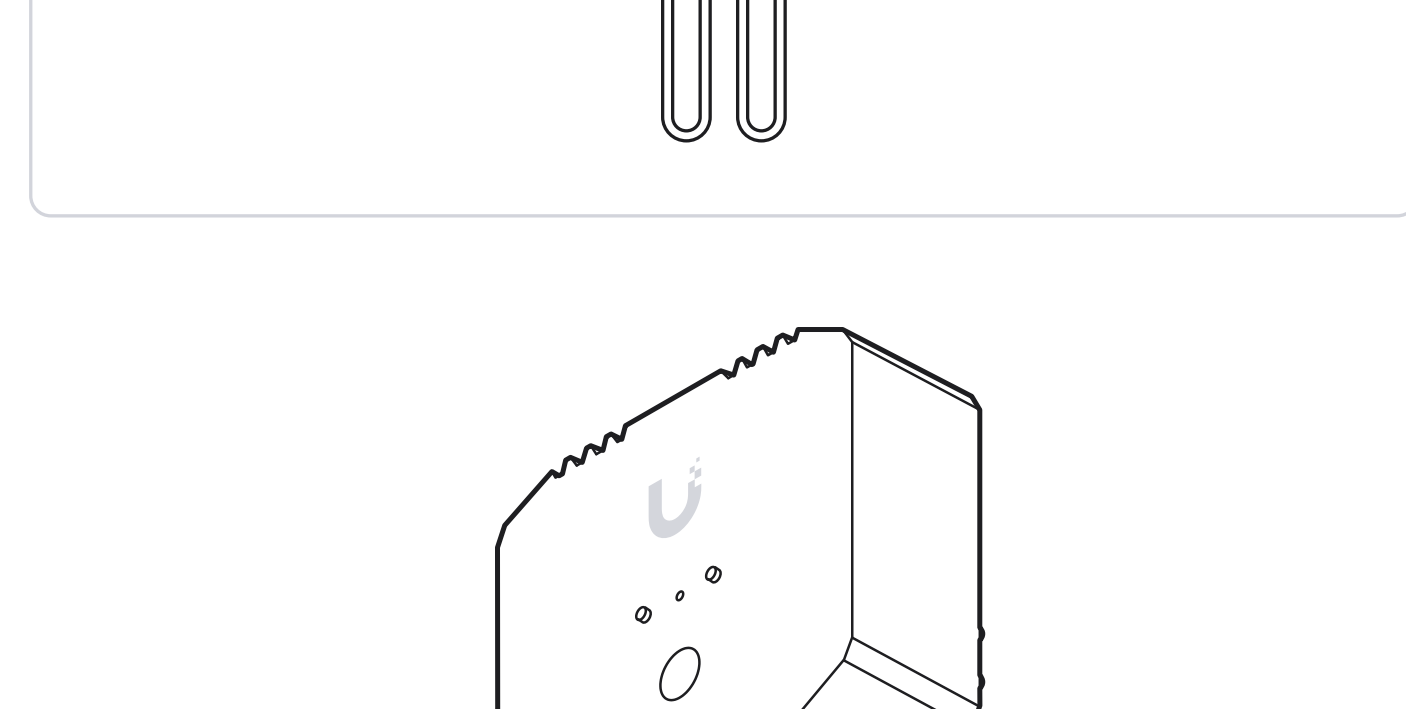
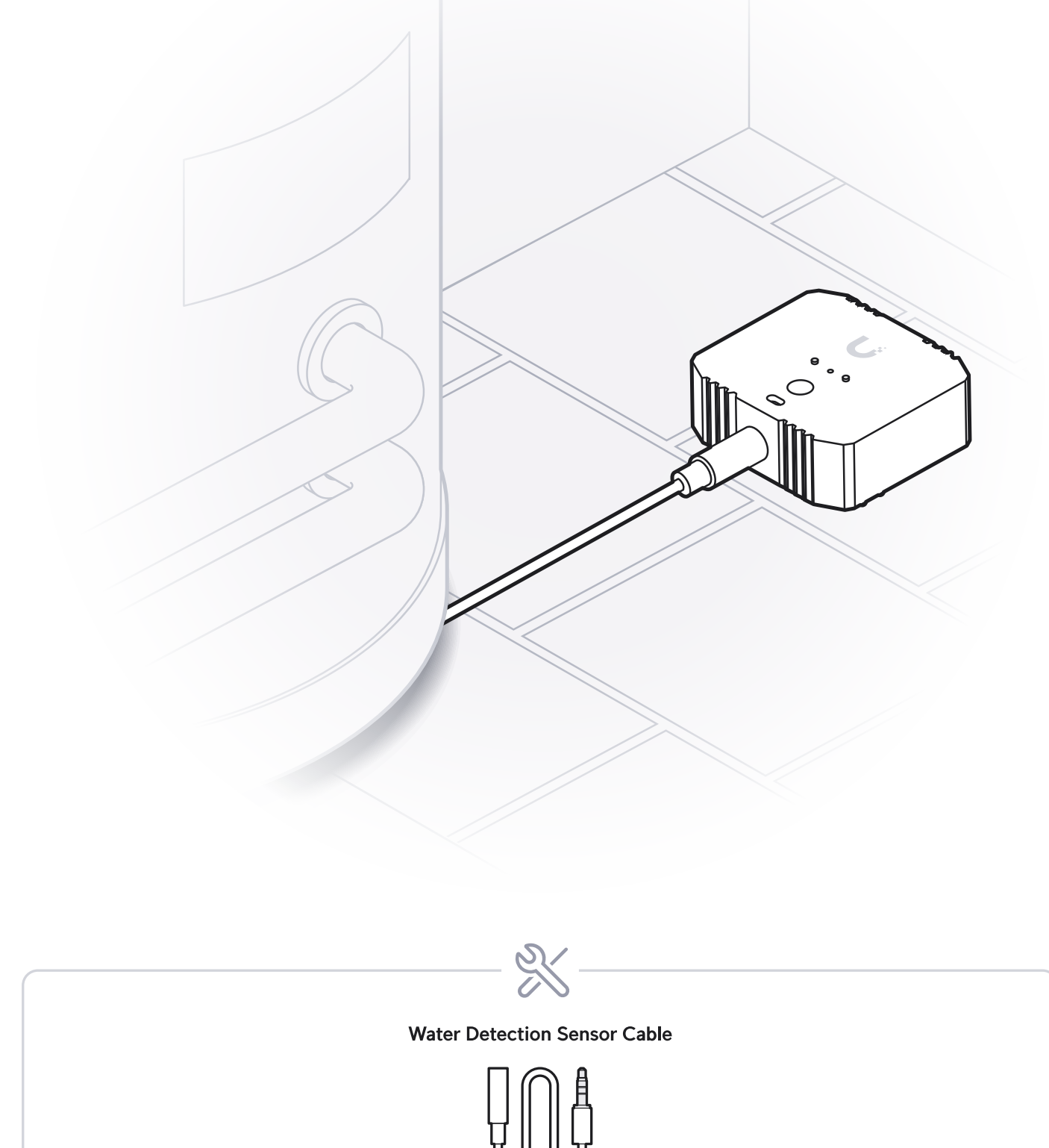
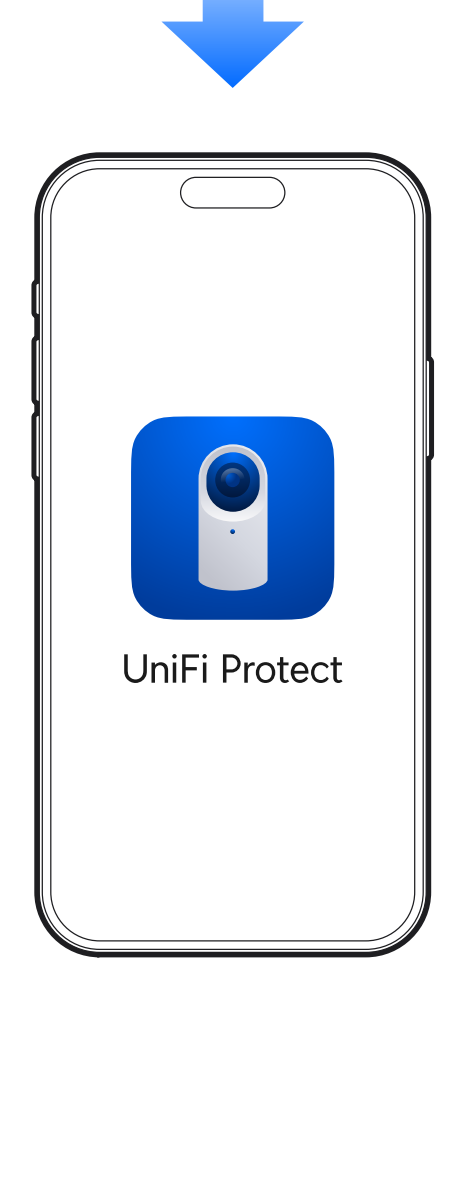
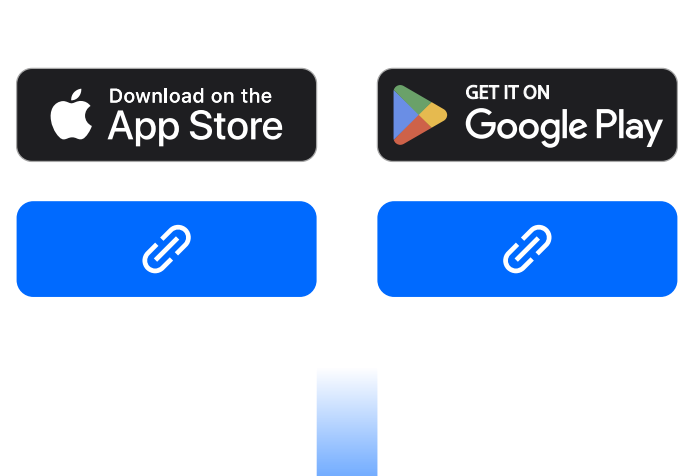
1



2



3



If you need further assistance, visit our [Help Center](#) or contact [Ubiquiti Support](#).