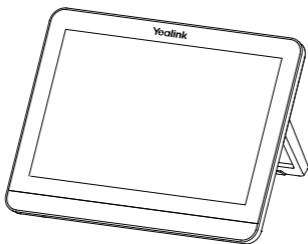


# Yealink

## Collaboration Touch Panel CTP18



English | 简体中文 | Deutsch | Español | Français

**Quick Start Guide (V1.0)**

## Table of Contents

English .....	1
简体中文 .....	5
Deutsch .....	9
Español.....	13
Français.....	17

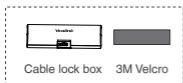
# Package Contents



CTP18

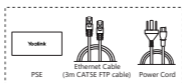
7.5m  
Ethernet CableMounting Bracket  
and Accessories

Screwdriver



Cable lock box 3M Velcro

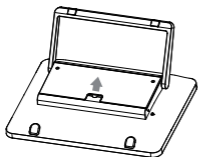
Cable Lock Box

PoE Adapter  
(Optional)Quick  
Start Guide

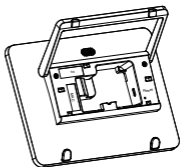
 We recommend that you use the accessories provided or approved by Yealink. The use of unapproved third-party accessories may result in reduced performance.

## CTP18 Connection

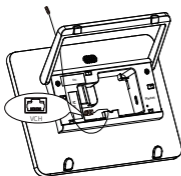
### ● Assemble your CTP18



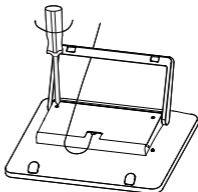
1



2



3

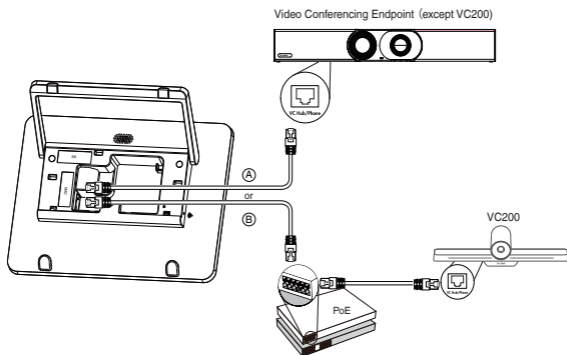


4

## ● Connect your CTP18 with the endpoint

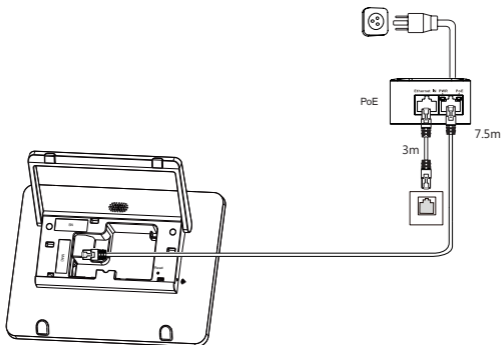
### Method 1. Connect the CTP18 with endpoint directly

(It is not applicable to Meetingbar endpoints)



### Method 2. Connect the CTP18 with the endpoint by Wired LAN

#### ① Connect the CTP18 to PoE Adapter



## 2 Pair the CTP18 with endpoint

- For VCS/MeetingEye endpoints:

Enter the endpoint IP address and PIN code according to the on-screen prompts in the CTP18, then the system will be automatically paired with the CTP18.

Note: If the system has a YMS or other account logged in, the IP address show in the more settings; if not, the IP address show in the monitor idle screen.

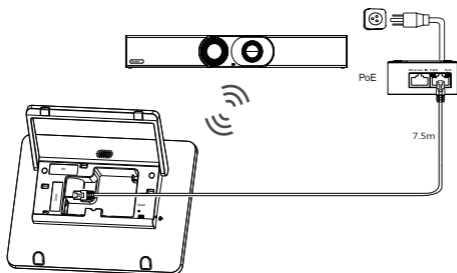
- For MeetingBar endpoints running in Teams version:

Sign into the same Microsoft account on both CTP18 and the endpoint, then enter the PIN code according to the on-screen prompts, after that the system will be automatically paired with the CTP18.

- For MeetingBar endpoints running in Zoom version:

Enter the IP Address(which you can obtain on the endpoint interface), then the system will be automatically paired with the CTP18.

(It is not applicable to MeetingBar endpoints)



The CTP18 supports 48V/0.27A power supply.

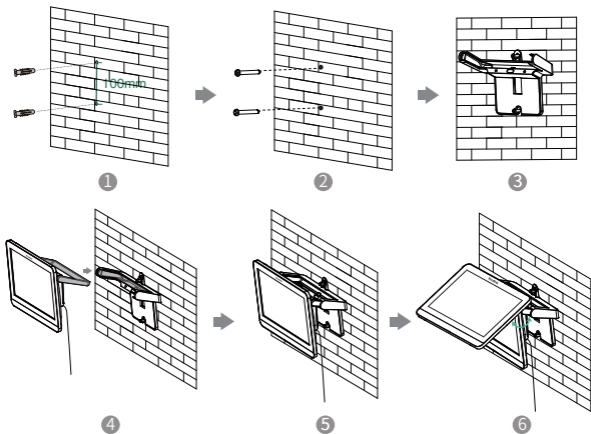
# CTP18 Installation

## ● Put on a table

You can adjust the touch screen as you need.



## ● Mount on a wall



# 包装清单



CTP18



7.5米网线



挂墙架配件

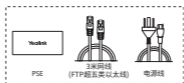


螺丝刀



USB锁线盒 3M魔术贴

USB锁线盒



PoE电源  
(可选)



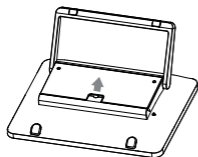
快速入门指南



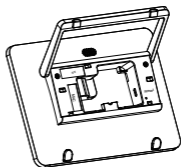
我们推荐使用由Yealink提供或经Yealink认可的配件和线缆，使用未经认证的第三方配件和线缆可能会导致性能的下降。

## CTP18 连线

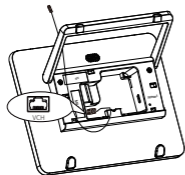
### • CTP18 组装



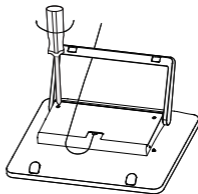
1



2



3

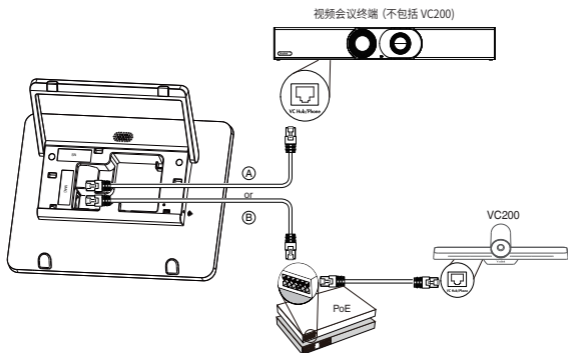


4

## ● CTP18与终端连接

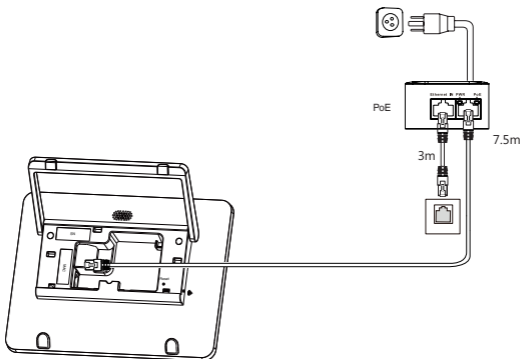
### 方式1. CTP18与会议电视终端有线直连

(不适用于MeetingBar系列终端)



### 方式2. CTP18与会议电视终端有线局域网配对连接

#### ① CTP18连接PoE电源



## ② CTP18与终端配对

-对于VCS二代终端/MeetingEye系列终端：

根据CTP18页面提示内容输入终端IP与配对码后，系统将自动与终端进行配对。

说明：未登录服务平台或账号时终端IP地址显示在终端空闲界面，若登录服务平台或账号在终端上点击更多查看。

-对于Teams版本的MeetingBar系列终端：

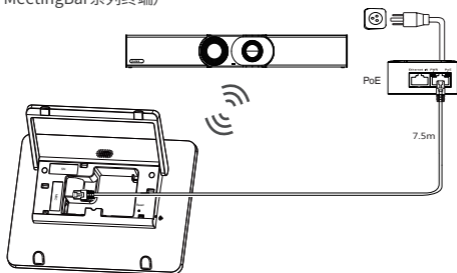
终端和CTP18先登录相同的微软账号，再根据终端显示器的界面提示内容，在CTP18上输入相应配对码后，系统将自动与终端进行配对。

-对于Zoom版本的MeetingBar系列终端：

在CTP18的登录界面，输入终端的IP地址(在终端初始界面查看)，系统将自动与终端进行配对。

## 方式3. CTP18与会议电视终端无线连接

(不适用于MeetingBar系列终端)



💡 CTP18支持48V/0.27A的电源。

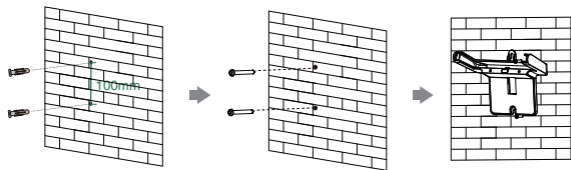
## CTP18 安装

### ● 置于桌面

CTP18可以调节至需要的角度。



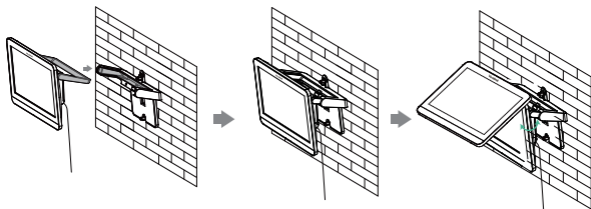
## ● 墙装



1

2

3



4

5

6

# Lieferumfang



CTP18



7.5m  
Ethernet-Kabel



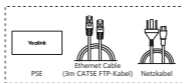
Wandhalterung und  
Zubehör



Schraubendreher



Kabelschloss



PoE-Netzteil  
(Optional)



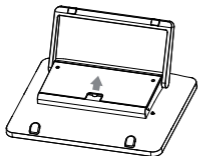
Kurzanleitung



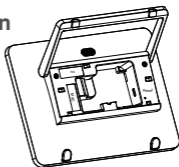
Wir empfehlen Ihnen, nur durch Yealink bereitgestellte oder zugelassene Zubehörteile zu verwenden. Die Verwendung von nicht zugelassenem Drittanbieter-Zubehör kann zu verminderter Leistungsfähigkeit führen.

## CTP18-Verbindung

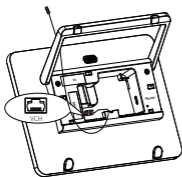
- Bauen Sie Ihr CTP18 zusammen



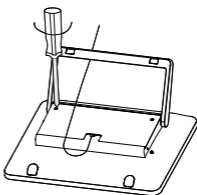
1



2

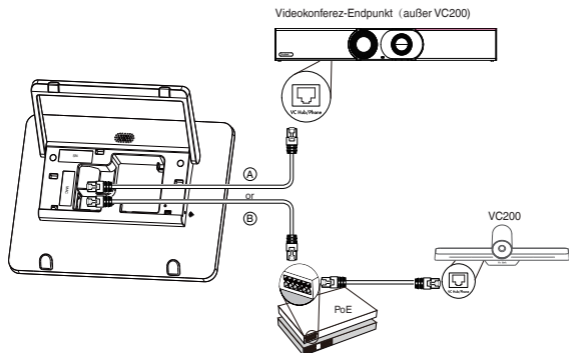


3



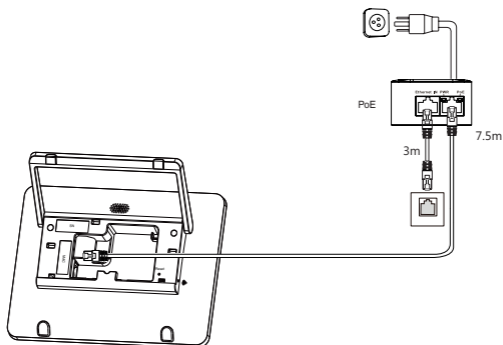
4

- **Verbinden Sie Ihr CTP18 mit dem Endpunkt**  
**Methode 1. Das CTP18 direkt mit dem Endpunkt verbinden**  
 (Nicht anwendbar auf MeetingBar-Endpunkte)



**Methode 2. Verbinden Sie das CTP18 über ein verkabeltes LAN mit dem Endpunkt**

- 1 Das CTP18 mit dem PoE-Netzteil verbinden



## 2 Das CTP18 mit dem Endpunkt koppeln

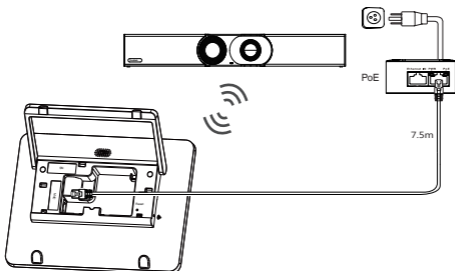
- Für VCS/MeetingEye-Endpunkte:

Geben Sie die IP-Adresse und den PIN-Code des Endpunkts entsprechend den Bildschirmanzeigen im CTP18 ein, dann wird das System automatisch mit dem CTP18 gekoppelt.

Hinweis: Wenn das System über ein YMS oder ein anderes angemeldetes Konto verfügt, wird die IP-Adresse in den weiteren Einstellungen **angezeigt**; wenn nicht, wird die IP-Adresse auf dem Bildschirm im Ruhezustand angezeigt.

- Für MeetingBar-Endpunkte, die in der Teams-Version laufen:  
Melden Sie sich dann sowohl auf CTP18 als auch auf dem Endpunkt bei demselben Microsoft-Konto an. Geben Sie den PIN-Code gemäß den Eingabeaufforderungen auf dem Bildschirm ein, danach das System wird automatisch mit dem CTP18 gekoppelt.
- Für MeetingBar-Endpunkte, die in der Zoom-Version ausgeführt werden:  
Geben Sie die IP-Adresse ein (die Sie über die Endpunkt-Schnittstelle erhalten können), dann wird das System automatisch mit dem CTP18 gekoppelt.

(Nicht anwendbar auf MeetingBar-Endpunkte)



Das CTP18 unterstützt eine 48V/0,27A-Stromversorgung.

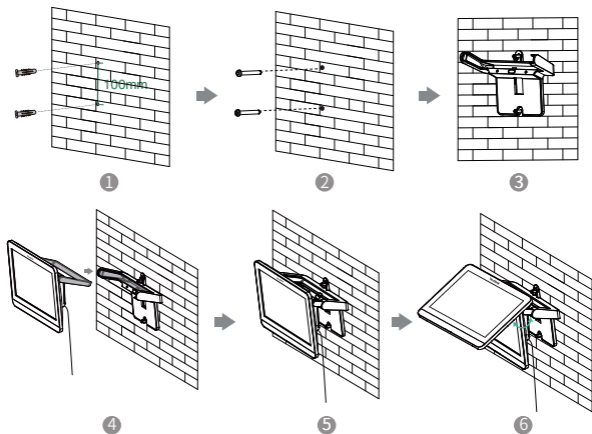
# CTP18-Installation

## ● Auf einen Tisch stellen

Sie können den Touchscreen nach Bedarf einstellen.



## ● Wandmontage



# Contenido del embalaje



CTP18



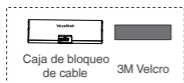
Cable Ethernet de  
7.5 m



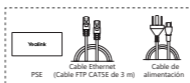
Soporte de pared  
y accesorios



Destornillador



Caja de bloqueo de cable  
3M Velcro



PoE Adapter  
(Optional)

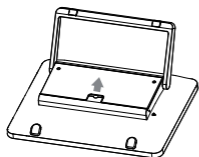


Guía de  
inicio rápido

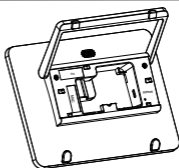
Utilice siempre accesorios proporcionados o aprobados por Yealink. El uso de accesorios no homologados puede causar un mal funcionamiento del equipo.

## Conexión CTP18

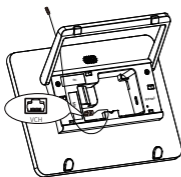
### • Instale su CTP18



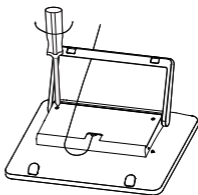
1



2

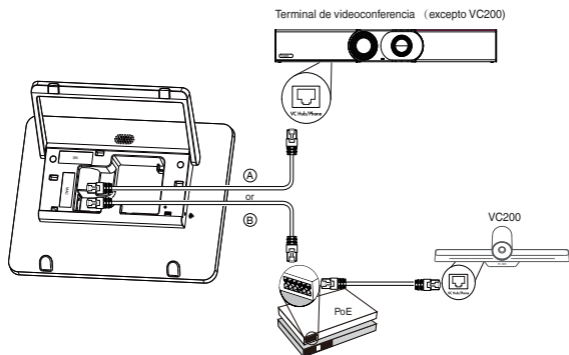


3



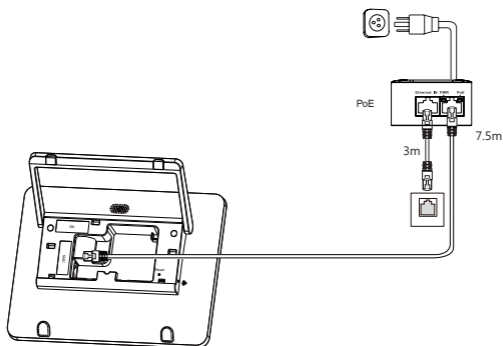
4

- **Conecte su CTP18 con el Endpoint**  
**Método 1. Conecte el CTP18 con el Endpoint**  
 (No se aplica a los Endpoints MeetingBar)



## Método 2. Conecte el CTP18 con el Endpoint mediante LAN cableada

- 1 Conecte el CTP18 al adaptador PoE



## 2 Empareje el CTP18 con el Endpoint

- Para terminales VCS / MeetingEye:

Ingrese la dirección IP del Endpoint y el código PIN de acuerdo con las indicaciones en pantalla en la CTP18, luego el sistema se emparejará automáticamente con la CTP18.

Nota: Si el sistema tiene un YMS u otra cuenta iniciada, la dirección IP se muestra en más configuraciones; si no, la dirección IP se muestra en la pantalla inactiva del monitor.

- Para los equipos MeetingBar que se ejecutan en la versión de Teams:

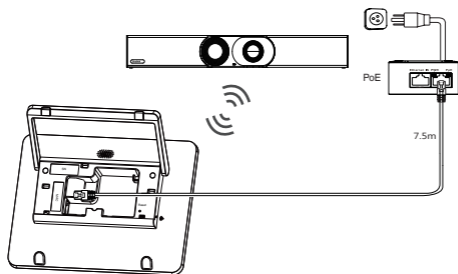
Inicie sesión en la misma cuenta de Microsoft tanto en CTP18 como en el endpoint, luego ingrese el código PIN de acuerdo con las indicaciones en pantalla, después de que el sistema se emparejará automáticamente con el CTP18.

- Para equipos MeetingBar que se ejecutan en la versión Zoom:

Enter the IP Address(which you can obtain on the endpoint interface), then the system will be automatically paired with the CTP18.

## Método 3. Conecte la CTP18 con el Endpoint de forma inalámbrica

(No se aplica a los equipos MeetingBar)



La CTP18 admite una fuente de alimentación de 48 V/0,27 A.

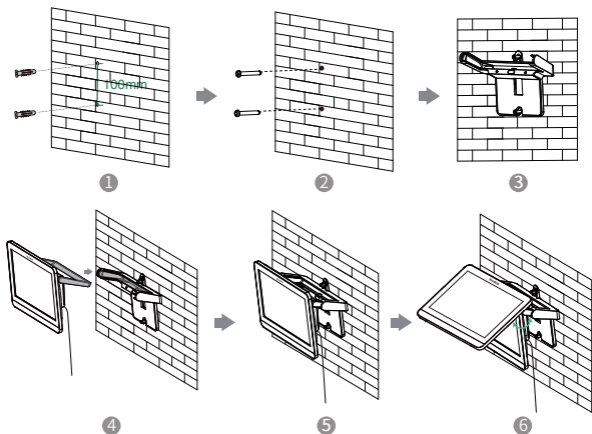
# Instalación de CTP18

## ● En una mesa

Puede ajustar la pantalla táctil según sus necesidades.



## ● Montaje en pared



# Contenu de l'emballage



CTP18



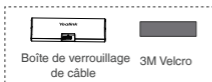
Câble Ethernet  
3m



Support mural et  
accessoires

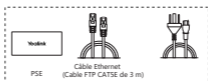


Tournevis



Boîte de verrouillage  
de câble 3M Velcro

Boîte de verrouillage  
de câble



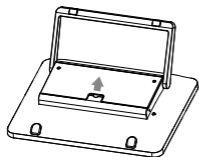
Adaptateur Ethernet  
(en option)

Guide de  
démarrage rapide

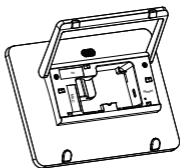
💡 Nous vous recommandons d'utiliser uniquement des accessoires fournis ou approuvés par Yealink. L'utilisation d'accessoires tiers est susceptible de réduire les performances de l'appareil.

## Connexion CTP18

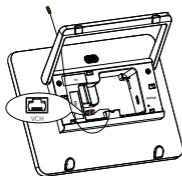
### • Montez votre CTP18



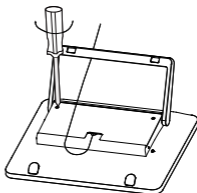
1



2

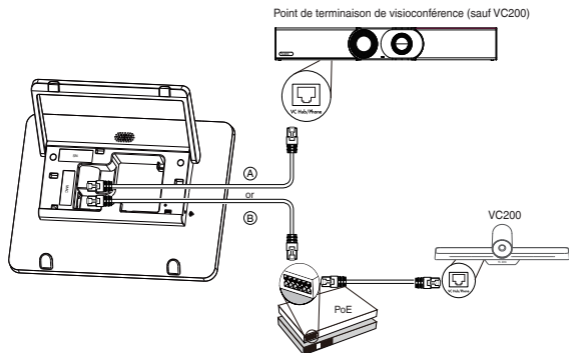


3



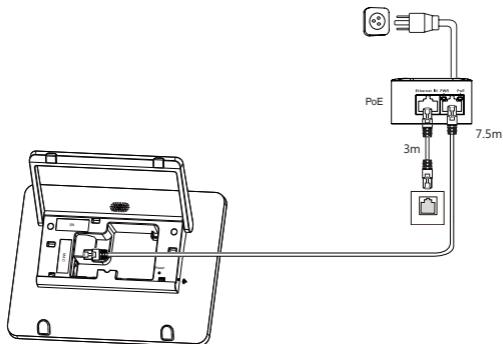
4

- **Branchez votre CTP18 avec le point de terminaison**  
**Méthode 1. Branchez le CTP18 directement avec le point de terminaison**  
 (Cela ne s'applique pas aux points de terminaison MeetingBar)



## Méthode 2. Branchez le CTP18 avec le point de terminaison par LAN filaire

- 1 Connectez le CTP18 à l'adaptateur Ethernet



- Pour les points de terminaison VCS/MeetingEye :

Entrez l'adresse IP du point de terminaison et le code PIN en suivant les invites à l'écran dans le CTP18. Le système exécute alors automatiquement l'appariement du CTP18.

Remarque : si le système dispose d'un YMS ou d'un autre compte connecté, l'adresse IP est affichée dans les paramètres supplémentaires. Sinon, l'adresse IP s'affiche sur l'écran de veille du moniteur.

- Pour les points de terminaison MeetingBar dans la version Teams :

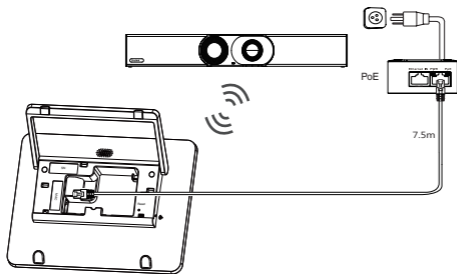
Connectez-vous au même compte Microsoft sur CTP18 et le point de terminaison, puis entrez le code PIN conformément aux invites à l'écran, après quoi le système sera automatiquement couplé avec le CTP18.

- Pour les points de terminaison MeetingBar dans la version Zoom :

Entrez l'adresse IP (que vous pouvez obtenir sur l'interface du point de terminaison), le système exécutera alors automatiquement l'appariement avec le CTP18.

### Méthode 3. Branchez le CTP18 avec le point de terminaison sans fil

(Cela ne s'applique pas aux points de terminaison MeetingBar)



Le CTP18 prend en charge une alimentation 48 V/0,27 A.

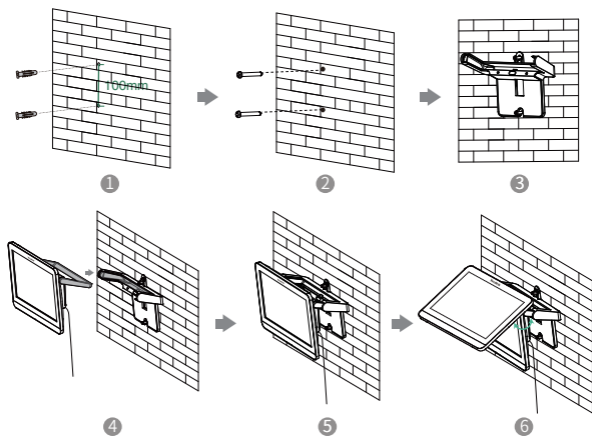
# Installation du CTP18

## ● Installation sur une table

Vous pouvez ajuster l'écran tactile selon vos besoins.



## ● Montage mural



# Declaration of Conformity

Date of Issue: 30th /November/2020

We: YEALINK (XIAMEN) NETWORK TECHNOLOGY CO., LTD,

Address: 309, 3rd Floor, No.16, Yun Ding North Road, Huli District, Xiamen City, Fujian, P.R.C

Declare that the product

**Type: Touch Panel**

**Model: MTouch II**

meets the essential requirements and other relevant provisions according to the following EC directive

Directive: 2014/30/EU, 2014/35/EU, RED 2014/53/EU

## Conformity

The product complies with the following standards:

Safety: **EN 62368-1:2014+A11:2017**

EMC: **EN 55032:2015**

**EN 55035:2017**

**EN61000-3-2:2014**

**EN61000-3-3:2013**

Radio: **ETSI EN 301 489-1 V2.2.3,**

**ETSI EN 301 489-3 V2.1.1,**

**ETSI EN 301 489-17 V3.2.2,**

**ETSI EN 300 328 V2.2.3 ;**

**ETSI EN 301 893 V2.1.1**

**EN 300 440 V2.2.1**

Health: **EN 62311:2008 ; EN62479:2010**

**Directive 2011/65/EU and (EU)2015/863** of the European Parliament and of the Council of 8 June 2011 and 4 June 2015 on the restriction of the use of certain hazardous substances in electrical and electronic equipment (RoHS 2.0)

**Directive 2012/19/EU** of the European Parliament and of the Council of 4 July 2012 on Waste electrical and electronic equipment (WEEE)

**Regulation (EC) No.1907/2006** of the European Parliament and of the Council of 18 December 2006 on Registration, Evaluation, Authorization, and Restriction of Chemicals (REACH)

**NAME:** Stone Lu  
**DATE:** 30/November/2020  
**TITLE:** Vice President



YEALINK (EUROPE) NETWORK TECHNOLOGY B.V.  
Address: Strawinskylaan 3127, Atrium Building, 8th floor,  
1077ZX Amsterdam, the Netherlands  
Telephone: +31 (0) 64 61 11 373  
Email: EUROPE@Yealink.com

## Operating Ambient Temperatures

- Operating temperature: +32 to 104°F (0 to 40°C)
- Relative humidity: 5% to 90%, noncondensing
- Storage temperature: -22 to +160°F (-30 to +70°C)

## Warranty

Our product warranty is limited only to the unit itself, when used normally in accordance with the operating instructions and the system environment. We are not liable for damage or loss resulting from the use of this product, or for any claim from a third party. We are not liable for problems with Yealink device arising from the use of this product; we are not liable for financial damages, lost profits, claims from third parties, etc., arising from the use of this product.

## Explanation of the symbols

### ● DC symbol

is the DC voltage symbol.

### ● WEEE Warning symbol

To avoid the potential effects on the environment and human health as a result of the presence of hazardous substances in electrical and electronic equipment, end users of electrical and electronic equipment should understand the meaning of the crossed-out wheeled bin symbol. Do not dispose of WEEE as unsorted municipal waste and have to collect such WEEE separately.

## Restriction of Hazardous Substances Directive (RoHS)

This device complies with the requirements of the EU RoHS Directive. Statements of compliance can be obtained by contacting support@yealink.com.

## Safety Instructions

Save these instructions. Read these safety instructions before use!

### General Requirements

- Before you install and use the device, read the safety instructions carefully and observe the situation during operation.
- During the process of storage, transportation, and operation, please always keep the device dry and clean, avoid collision and crash.
- Please attempt not to dismantle the device by yourself. In case of any discrepancy, please contact the appointed maintenance center for repair.
- Please refer to the relevant laws and statutes while using the device. Legal rights of others should be respected as well.

### Environmental Requirements

- Place the device at a well-ventilated place. Do not expose the device under direct sunlight.
- Keep the device dry and free of dusts.
- Do not place the device on or near any inflammable or fire-vulnerable object, such as rubber-made materials.
- Keep the device away from any heat source or bare fire, such as a candle or an electric heater.

### Operation Requirements

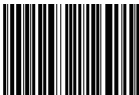
- Do not let a child operate the device without guidance.
- Do not let a child play with the device or any accessory in case of accidental swallowing.
- Please use the accessories provided or authorized by the manufacturer only.
- The power supply of the device shall meet the requirements of the input voltage of the device. Please use the provided surge protection power socket only.
- Before plugging or unplugging any cable, make sure that your hands are completely dry.
- Do not spill liquid of any kind on the product or use the equipment near water, for example, near a bathtub, washbowl, kitchen sink, wet basement or near a swimming pool.
- During a thunderstorm, stop using the device and disconnect it from the power supply. Unplug the power plug and the Asymmetric Digital Subscriber Line (ADSL) twisted pair (the radio frequency cable) to avoid lightning strike.

## About Yealink

Yealink is a global leading provider of enterprise communication and collaboration solutions, offering video conferencing service to worldwide enterprises. Focusing on research and development, Yealink also insists on innovation and creation. With the outstanding technical patents of cloud computing, audio, video and image processing technology, Yealink has built up a panoramic collaboration solution of audio and video conferencing by merging its cloud services with a series of endpoints products. As one of the best providers in more than 140 countries and regions including the US, the UK and Australia, Yealink ranks No.1 in the global market share of SIP phones shipments.

## Technical Support

Visit Yealink WIKI (<http://support.yealink.com/>) for the latest firmware, guides, FAQ, Product documents, and more. For better service, we sincerely recommend you to use Yealink Ticketing system (<https://ticket.yealink.com/>) to submit all your technical issues.



430104001449

- If the device is left unused for a rather long time, disconnect it from the power supply and unplug the power plug.
- When there is smoke emitted from the device, or some abnormal noise or smell, disconnect the device from the power supply, and unplug the power plug immediately.
- Contact the specified maintenance center for repair.
- Do not insert any object into equipment slots that is not part of the product or auxiliary product.
- Before connecting a cable, connect the grounding cable of the device first. Do not disconnect the grounding cable until you disconnect all other cables.

## Cleaning Requirements

- Before cleaning the device, disconnect it from the power supply.
- Use a piece of soft, dry and anti-static cloth to clean the device.
- Keep the power plug clean and dry.

## Troubleshooting

The unit cannot supply power to device other than Yealink device. There is a bad connection with the plug.

1. Clean the plug with a dry cloth.
  2. Connect it to another wall outlet.
- The usage environment is out of operating temperature range.
1. Use in the operating temperature range.

The cable between the unit and the Yealink device is connected incorrectly.

1. Connect the cable correctly.
- You cannot connect the cable properly.
1. You may have connected a wrong Yealink device.
  2. Use the correct power supply.
- Some dust, etc., may be in the port.
1. Clean the port.
- Contact your dealer or authorized service facility for any further questions.

## FCC Statement

This device complies with part 15 of the FCC Rules. Operation is subject to the following two conditions: (1) this device may not cause harmful interference, and (2) this device must accept any interference received, including interference that may cause undesired operation.

Any Changes or modifications not expressly approved by the party responsible for compliance could void the user's authority to operate the equipment.

## IC Statement

This device complies with Industry Canada's licence-exempt RSSs. Operation is subject to the following two conditions:

- (1) this device may not cause interference; and
  - (2) this device must accept any interference, including interference that may cause undesired operation of the device. CAN ICES-3(B)
- Le présent appareil est conforme aux CNR d'Industrie Canada applicables aux appareils radio exempts de licence. L'exploitation est autorisée aux deux conditions suivantes :

- (1) l'appareil ne doit pas produire de brouillage;
- (2) l'utilisateur de l'appareil doit accepter tout brouillage radioélectrique subi, même si le brouillage est susceptible d'en compromettre le fonctionnement.

## Radiation Exposure Statement

This equipment complies with FCC and IC radiation exposure limits set forth for an uncontrolled environment. This equipment should be installed and operated with minimum distance 20cm between the radiator and your body.

Cet émetteur ne doit pas être Co-placé ou ne fonctionnant en même temps qu'aucune autre antenne ou émetteur. Cet équipement devrait être installé et actionné avec une distance minimum de 20 centimètres entre le radiateur et votre corps.

## Contact Information

YEALINK NETWORK TECHNOLOGY CO.,LTD.  
309, 3rd Floor, No. 16, Yun Ding North Road, Hull District, Xiamen City, Fujian, P.R.C  
YEALINK (EUROPE) NETWORK TECHNOLOGY B.V.  
Strawinskylaan 3127, Atrium Building, 8th floor, 1077ZX Amsterdam, The Netherlands  
YEALINK (USA) NETWORK TECHNOLOGY CO., LTD.  
999 Peachtree Street Suite 2300, Fulton, Atlanta, GA, 30309, USA  
Made in China

YEALINK(XIAMEN) NETWORK TECHNOLOGY CO.,LTD.  
Web: [www.yealink.com](http://www.yealink.com)  
Copyright©2020 YEALINK(XIAMEN) NETWORK TECHNOLOGY CO.,LTD.All rights reserved.