

MTower Installation

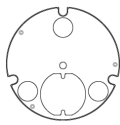
Package Contents

TIP

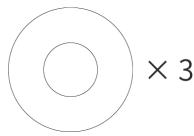
We recommend that you use the accessories provided or approved by Yealink. The use of unapproved third-party accessories may result in poor performance.



MTower



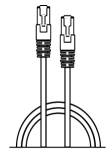
Bottom Cover



3M Tape



Quick Start Guide



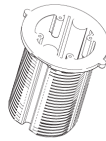
(7.5 m, 24.60 ft)
CAT5e Cable



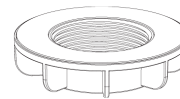
WH-85*3.0mm
Screwdriver



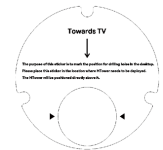
2*6KMOZN3+



Desktop Bracket A
(Thread: φ48)



Desktop
Bracket B

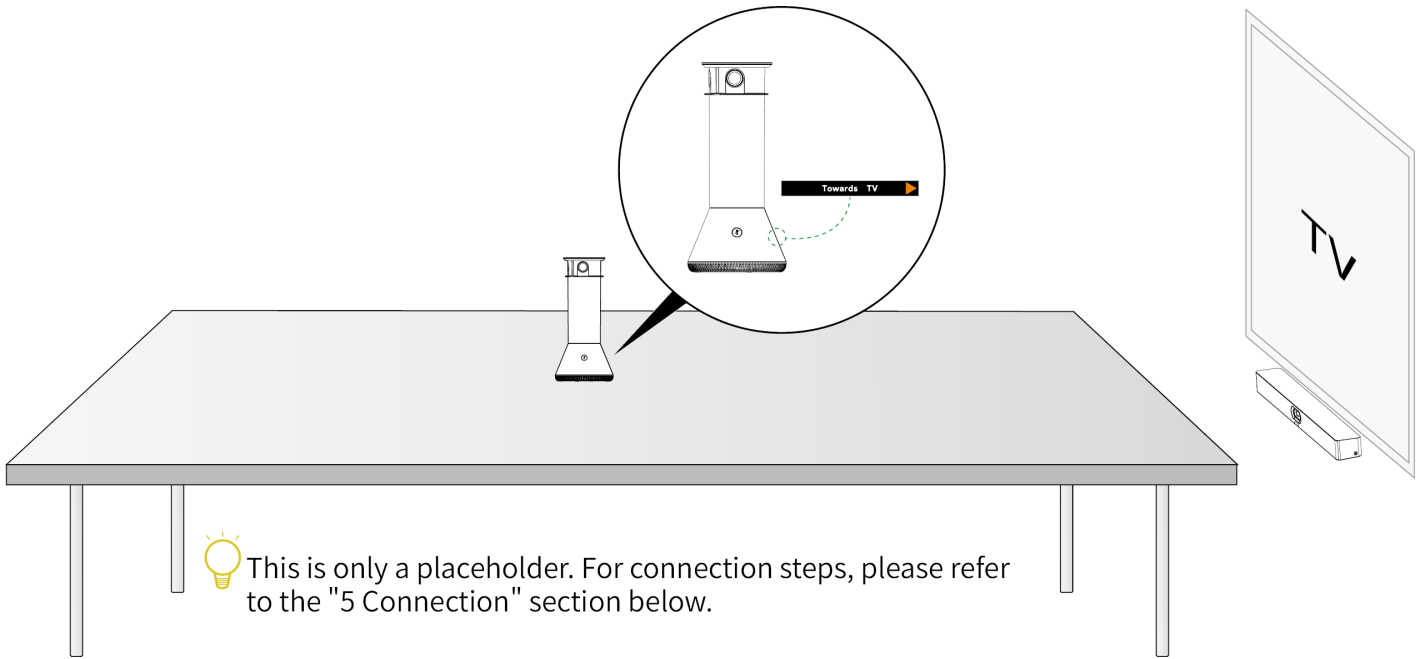


Desktop Drilling
Guide Sticker

Installation

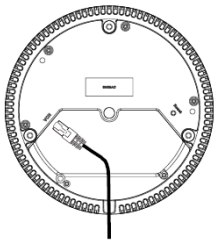
TIP

1. Install MTower in the center of the table.
2. Turn the black marking "Towards TV" towards the TV.

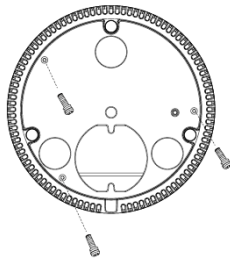


• **Paste on the Table**

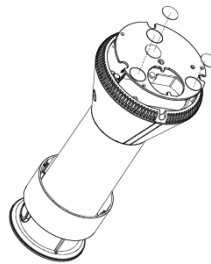
1 Connect the network cable.



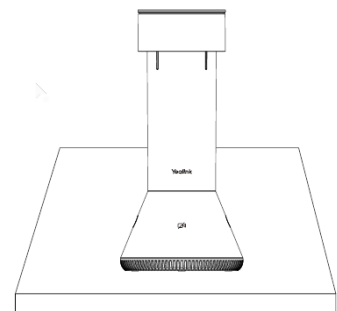
2 Secure the bottom cover with the screws.



3 Paste with 3M tape.

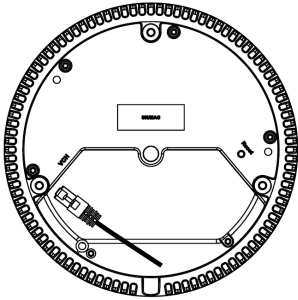


4 Paste M-Tower to the table.

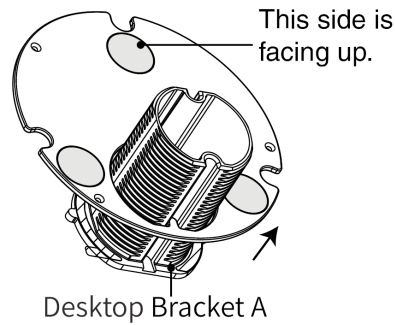


• **Desktop Bracket**

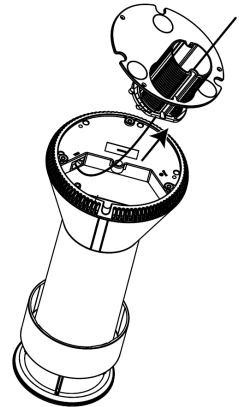
1 Connect the network cable.



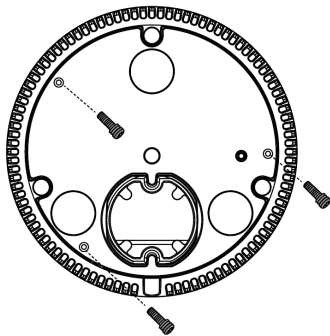
2 Install the Desktop Bracket A and the Bottom Cover.



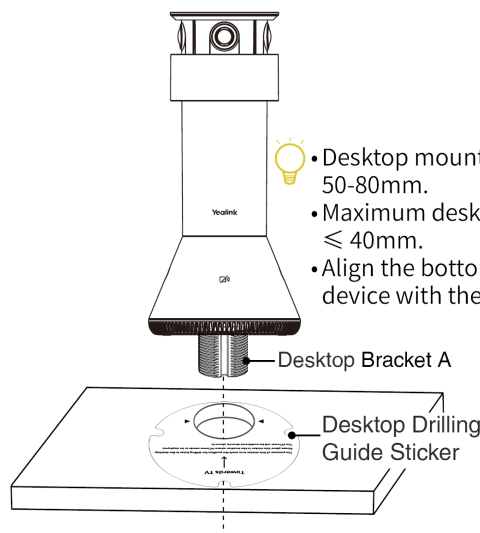
3 Pass the network cable through the Desktop Bracket A.



4 Secure the bottom cover with the screws.

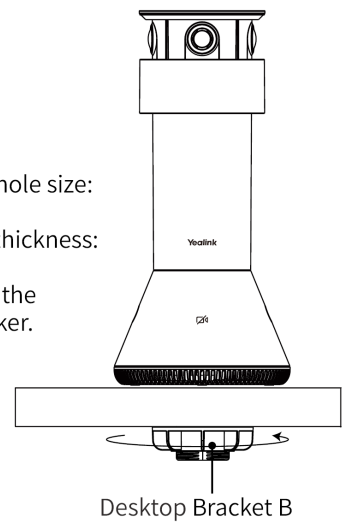


5 Stick the Guide Sticker in the center of the desktop, and drill holes on the desktop according to the hole position on the guide sticker. Insert Desktop Bracket A through the hole.

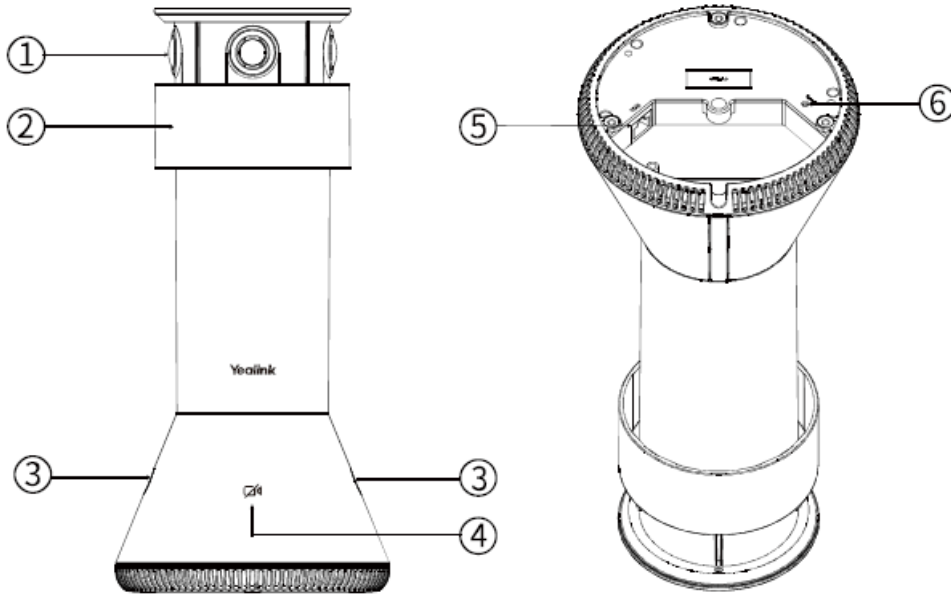


- Desktop mounting hole size: 50-80mm.
- Maximum desktop thickness: ≤ 40mm.
- Align the bottom of the device with the sticker.

6 Fix the M-Tower to the desktop by rotating the Desktop Bracket B.



Hardware Introduction



No.	Name	Description
1	Camera	Camera.
2	Privacy Cap	Automatically covers the camera when it is turned off.
3	Mute Button & Mute LED Indicator	Touch to mute or unmute.
4	Camera Button & Camera LED Indicator	Turn the camera on/off.
5	VCH Port	Connect the endpoint, such as SmartVision 40.
6	Reset Button	Reset to factory defaults.

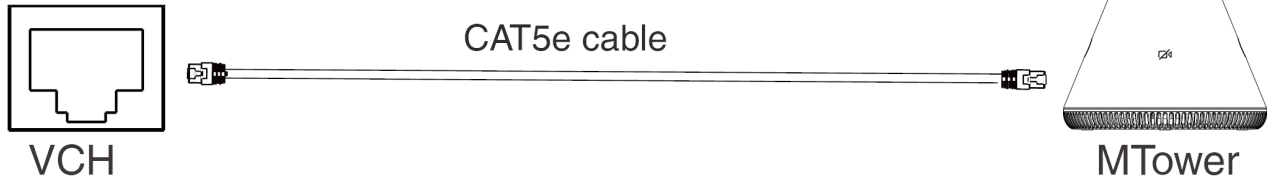
Connection

MTower needs to be used with Yealink host. When the host power adapter meets the voltage of 48V and the current is greater than or equal to 1.36A, MTower does not need additional power supply. When the current is less than 1.36A, MTower needs to be connected to an additional PoE adapter or PoE switch to provide sufficient power for MTower. The following takes SmartVision 40 connection as an example.

If SmartVision 40 is used with a 48V/1.36A power adapter, MTower does not require additional power supply.

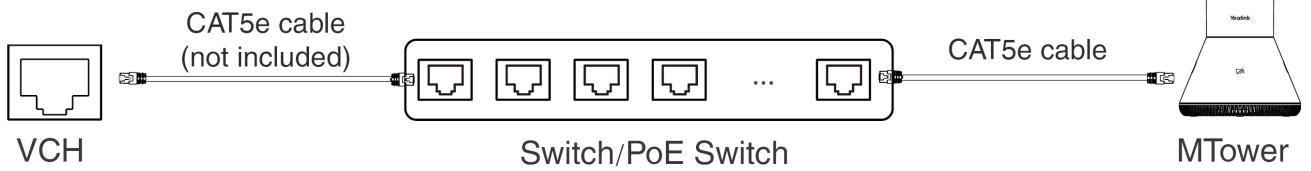
Connection method 1: Directly connect to SmartVision 40 via CAT5e cable.

VCH port for SmartVision 40



Connection method 2: Connect to SmartVision 40 via a Switch/PoE Switch.

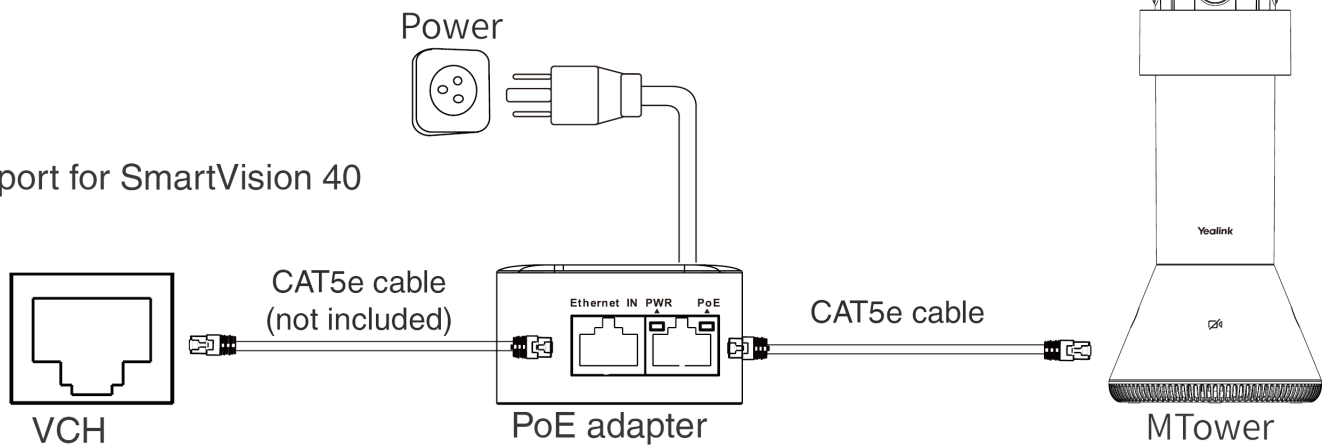
VCH port for SmartVision 40



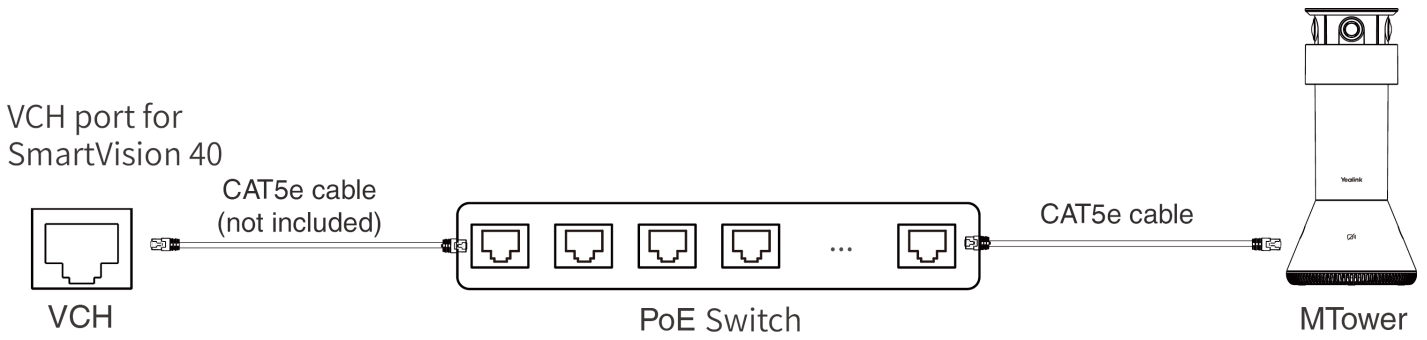
If SmartVision 40 is used with a 48V /0.7A power adapter, it is recommended that MTower connect to the host via a PoE switch.

Connection method 1: Connect to SmartVision 40 with a PoE adapter.

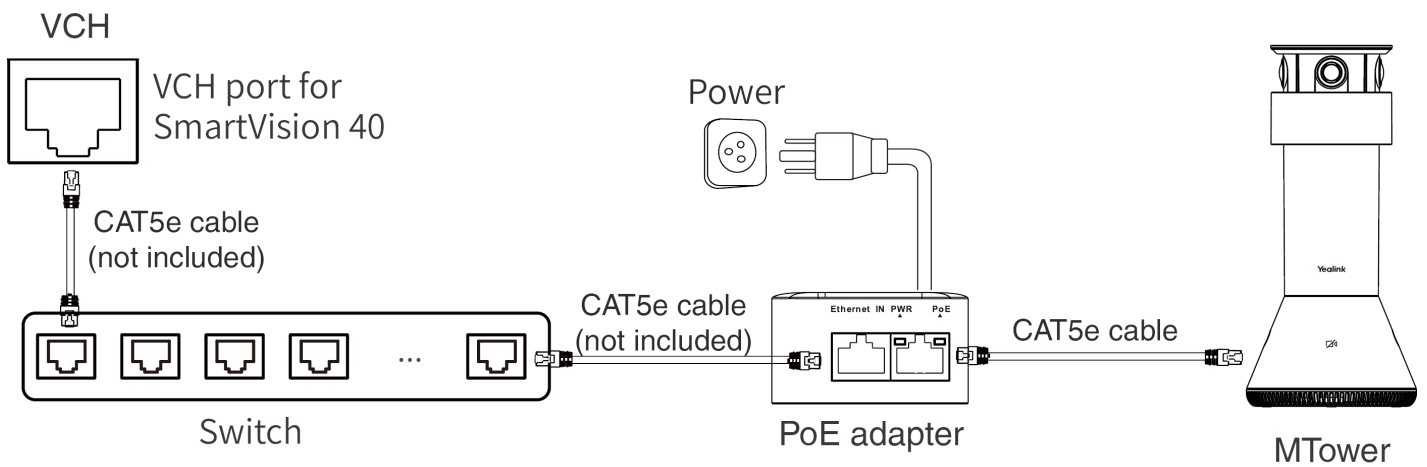
VCH port for SmartVision 40



Connection method 2: Connect to SmartVision 40 with a PoE switch.



Connection method 3: Connect to SmartVision 40 with a PoE adapter and switch.



NOTE

- When connecting to a normal switch, you need to connect a PoE adapter for the power supply; when connecting to a PoE switch, you don't need to connect a PoE adapter.
- To avoid the human image in the TV affecting the tracking effect, you can check whether the image meets the requirement in Yealink Roomconnect after the device is deployed, if not, it can be further deployed by setting up the shielding area.

LED Indicator

Mute LED indicator

LED Status	Description
Off	The device is idle/sleeping/powerd off.
Solid green	Unmuted in the meeting.
Flash green	Incoming call/meeting.
Solid red	Muted in the meeting.
Flash red	The device is entering recovery mode for firmware upgrade.
Solid orange	The device is starting up.

Flash orange	The firmware is updating.
--------------	---------------------------

Camera LED indicator

LED Status	Description
Off	<ul style="list-style-type: none">· The device is powered off.· The device is idle.· The camera privacy cover is closed.
Solid white	The camera privacy cover is open in the meeting.