

SMALL APERTURE® SHEETROCK INSTALLATION

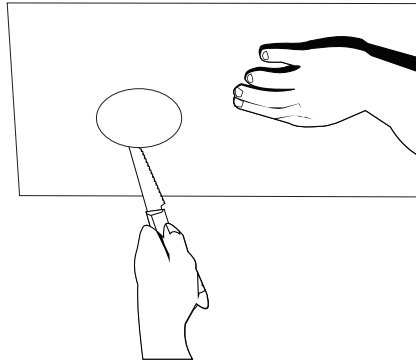
1



Sheetrock Plug

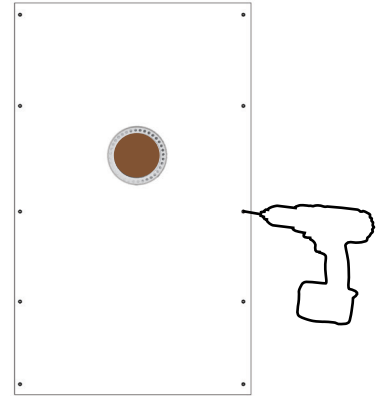
Determine the placement of the Small Aperture sub assembly and secure the unit between two wall studs. We recommend using a block of wood, fixed between the studs, to aid in the leveling process (Wall mounting process shown).

2



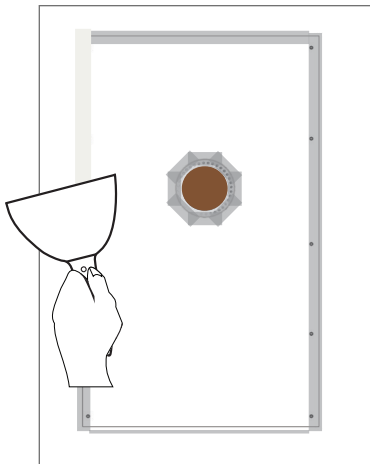
On a free piece of sheet rock cut a hole that is large enough for the sheetrock plug to fit through, yet small enough for the sheetrock trim kit to sandwich the dry wall between the SA assembly (Hole sizing chart below - For your reference).

3



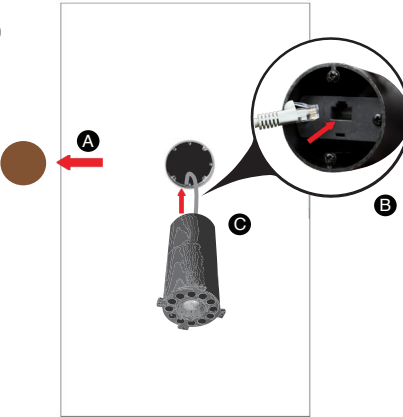
Once the hole is cut, the free piece of drywall can be positioned and secured over the SA unit and once ready the sheetrock plug can be removed. After the sheetrock is secured, the grille trim kit can be secured to the unit. If using sheetrock that is thicker than 1/2", then attach appropriate trim kit spacer before securing sheetrock trim kit over the unit. (We recommend testing the unit before plaster work is performed.)

4



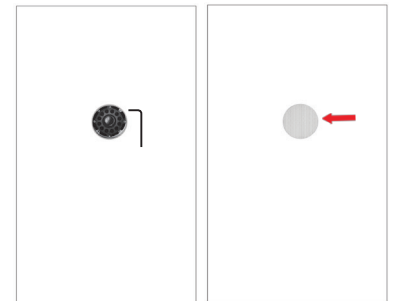
Use mesh tape to cover any installation seams. Insert the grille frame plug before applying joint compound. Apply joint compound and level out compound to conceal seams.

5



Remove the grille frame plug (A) and connect the SA module to the sub assembly as shown (B). (We recommend using a twisting motion when inserting the SA module (C). This prevents the cable from bunching up and obstructing the port when the module is inserted.)

6



The SA MF/HF module can now be secured into the SA assembly using the provided socket head screws and hex key.

Insert press fit grille to complete the installation. If desired, the grille can be painted before being inserted to match any surrounding installation features.



Sheetrock - Cut Sizing Chart

Model	5" Sheetrock Trim Kit		4" Round Sheetrock Trim Kit		3" Round Sheetrock Trim Kit	
	Round	Square	Round	Square	Round	Square
SA53	Ø 5.22" (133mm)	-	-	4.22" x 4.22" (107mm x 107mm)	-	-
SA63	Ø 5.23" (133mm)	-	Ø 4.34" (110mm)	4.26" x 4.26" (108mm x 108mm)	Ø 3.25" (83mm)	3.25" x 3.25" (83mm x 83mm)
SA101	Ø 5.10" (130mm)	-	-	4.35" x 4.35" (110mm x 110mm)	-	-