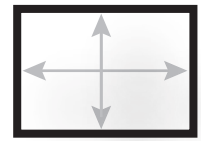


# HOMESCREEN DELUXE

Fixed frame projection screen for wall installations

**PROJECTA**  
REFLECTING YOUR VISION



## Product specifications:

- Fixed frame projection screen with an aluminum frame.
- The aluminum frame is 8 cm wide and 3 cm deep with a beveled edge to reduce shadowing in the viewing area.
- The aluminum frame has a black velour finish which eliminates reflection and serves to absorb projected light.
- The projection screen surface is attached to the rear of the screen with Velcro®.
- The aluminum frame parts are connected in the corners with corner plates.
- Easy and flush installation by hanging the screen over two screws by using the integrated flat (3mm) mounting brackets.
- The frame will conceal velcro and binding.
- The frame is made of aluminium finished with velour.
- Standard all brackets are supplied.

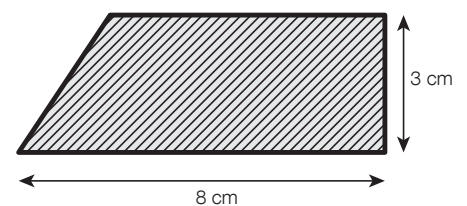
## Aspect Ratios:



## Available dimensions

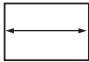
Minimum width: 176 cm

Maximum width: 500 cm



**PROJECTA** A BRAND OF MILESTONE AV TECHNOLOGIES BV || [www.milestone.com](http://www.milestone.com)

P +31.(0)495.580.840 || F +31.(0)495.580.845 || [emea.sales@milestone.com](mailto:emea.sales@milestone.com)

		Viewing Area	Nominal Diagonal		Frame dimensions		
		cm	cm	inches	Frame height	Frame width	
<b>16:10</b>	116 x 176	100 x 160	189	74"	116	176	
	129 x 196	112 x 180	211	83"	129	196	
	141 x 216	125 x 200	236	93"	141	216	
	154 x 236	137 x 220	259	102"	154	236	
	166 x 256	150 x 240	283	111"	166	256	
	191 x 296	175 x 280	330	130"	191	296	
	204 x 316	187 x 300	353	139"	204	316	
	235 x 366	219 x 350	413	163"	235	366	
	266 x 416	250 x 400	482	186"	266	416	
	297 x 466	281 x 450	531	209"	297	466	
	329 x 516	313 x 500	590	232"	329	516	
<b>16:9</b>	106 x 176	90 x 160	183	72"	106	176	
	118 x 196	102 x 180	207	81"	118	196	
	128 x 216	112 x 200	229	90"	128	216	
	140 x 236	122 x 220	249	98"	140	236	
	151 x 256	135 x 240	269	108"	151	256	
	173 x 296	157 x 280	320	126"	173	296	
	185 x 316	169 x 300	345	136"	185	316	
	213 x 366	197 x 350	402	158"	213	366	
	241 x 416	225 x 400	467	184"	241	416	
	269 x 466	253 x 450	524	206"	269	466	
	297 x 516	281 x 500	574	226"	297	516	
<b>2.39:1</b>	83 x 176	67 x 160	173	68"	83	176	
	91 x 176	75 x 180	195	77"	91	176	
	100 x 216	84 x 200	216	85"	100	216	
	108 x 236	92 x 220	239	94"	108	236	
	116 x 256	100 x 240	259	102"	116	256	
	125 x 276	109 x 260	282	111"	125	276	
	133 x 296	117 x 280	302	119"	133	296	
	142 x 316	126 x 300	325	128"	142	316	
	162 x 366	146 x 350	378	149"	162	366	
	183 x 416	167 x 400	434	171"	183	416	
	204 x 466	188 x 450	488	192"	204	466	
	225 x 516	209 x 500	541	213"	225	516	
<b>4:3</b>	166 x 216	150 x 200	254	100"	166	216	
	181 x 236	165 x 220	275	108"	181	236	
	196 x 256	180 x 240	302	119"	196	256	
	226 x 296	210 x 280	350	138"	226	296	
	241 x 316	225 x 300	375	148"	241	316	
	279 x 366	263 x 350	438	172"	279	366	
	316 x 416	300 x 400	500	200"	316	416	
	354 x 466	338 x 450	563	222"	354	466	
	391 x 516	375 x 500	597	239"	391	516	

## Available standard resolution projection surfaces

### Matte White

Gain: 1.0  
Viewing Angle: 120°  
Base material: Vinyl  
Fire retardancy: B1  
GreenGuard certification: No

For all sizes with a maximum surface height of 188 cm:

Black backing: Yes  
Seamless: Yes

For all sizes with a surface height from 189 cm until 225 cm:

Black backing: No  
Seamless: Yes

For all sizes with a surface height of 226 cm and above:

Black backing: No  
Seamless: No

### High Contrast Cinema Vision

Gain: 1.1  
Viewing Angle: 100°  
Base material: Vinyl  
Fire retardancy: B2  
Black backing: Yes  
Opacity rating: > 99 %  
Seamless: Yes  
GreenGuard certification: Yes

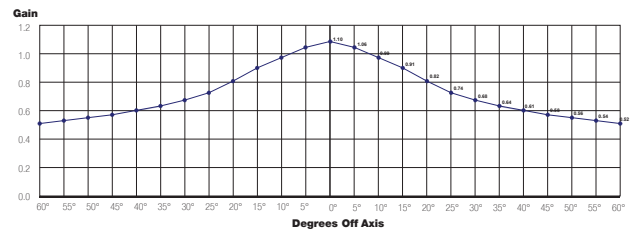


**Standard:** UL 2818 - 2013  
Standard for Chemical Emissions  
for Building Materials, Finishes and  
Furnishings

**Certification number**

Greenguard -  
5112-410

Greenguard Gold -  
5112-420



### Da-Tex (rear projection)

Gain: 1.3  
Viewing Angle: 60°  
Base material: Vinyl  
Fire retardancy: B2  
Seamless: Yes  
GreenGuard certification: Yes

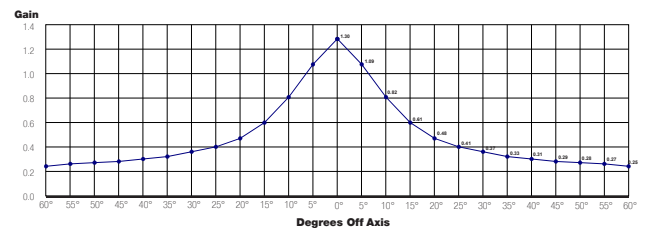


**Standard:** UL 2818 - 2013  
Standard for Chemical Emissions  
for Building Materials, Finishes and  
Furnishings

**Certification number**

Greenguard -  
5106-410

Greenguard Gold -  
5106-420



## Available perforated projection surfaces

All screen surfaces are seamless in the viewing area.

### HD Progressive 1.1 Perf

Gain: 1.1  
Viewing Angle: 170°  
Base material: Vinyl  
Fire retardancy: B2  
Black backing: Yes  
Opacity rating: > 99 %  
Seamless: Yes  
GreenGuard certification: Yes  
Hole diameter: 0.7 mm  
Open area: 8.65%

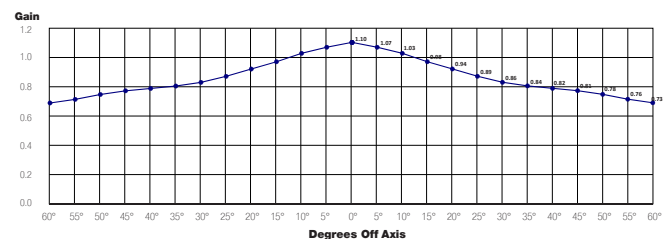


**Standard:** UL 2818 - 2013  
Standard for Chemical Emissions  
for Building Materials, Finishes and  
Furnishings

**Certification number**

Greenguard -  
11067-410

Greenguard Gold -  
11067-420



## Available High Resolution projection surfaces

All screen surfaces are seamless in the viewing area.



### HD Progressive 0.6

Gain: 0.6  
Viewing Angle: 170°  
Base material: Vinyl  
Fire retardancy: B2  
Black backing: Yes  
Opacity rating: > 99 %  
Seamless: Yes  
GreenGuard certification: Yes

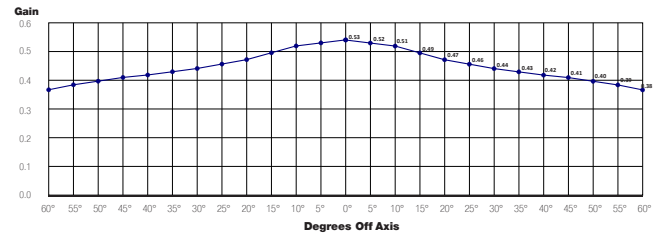


**Standard:** UL 2818 - 2013  
Standard for Chemical Emissions  
for Building Materials, Finishes and  
Furnishings

**Certification number**

Greenguard -  
11065-410

Greenguard Gold -  
11065-420



### HD Progressive 0.9

Gain: 0.9  
Viewing Angle: 170°  
Base material: Vinyl  
Fire retardancy: B2  
Black backing: Yes  
Opacity rating: > 99 %  
Seamless: Yes  
GreenGuard certification: Yes

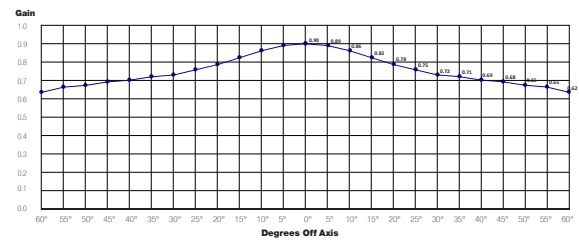


**Standard:** UL 2818 - 2013  
Standard for Chemical Emissions  
for Building Materials, Finishes and  
Furnishings

**Certification number**

Greenguard -  
11066-410

Greenguard Gold -  
11066-420



### HD Progressive 1.1

Gain: 1.1  
Viewing Angle: 170°  
Base material: Vinyl  
Fire retardancy: B2  
Black backing: Yes  
Opacity rating: > 99 %  
Seamless: Yes  
GreenGuard certification: Yes

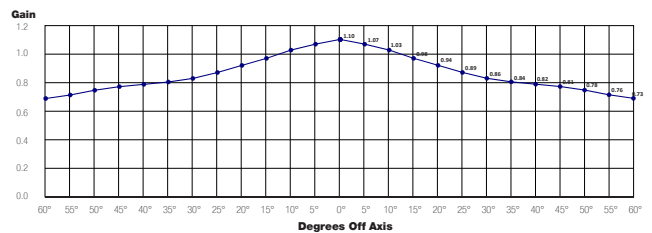


**Standard:** UL 2818 - 2013  
Standard for Chemical Emissions  
for Building Materials, Finishes and  
Furnishings

**Certification number**

Greenguard -  
11067-410

Greenguard Gold -  
11067-420



### HD Progressive 1.3

Gain: 1.3  
Viewing Angle: 150°  
Base material: Vinyl  
Fire retardancy: B2  
Black backing: Yes  
Opacity rating: > 99 %  
Seamless: Yes  
GreenGuard certification: Yes

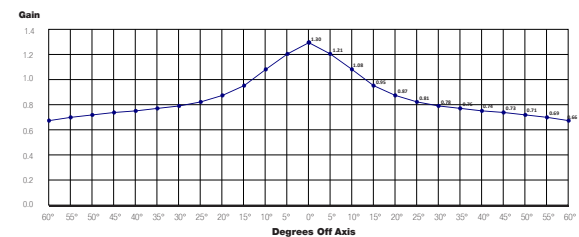


**Standard:** UL 2818 - 2013  
Standard for Chemical Emissions  
for Building Materials, Finishes and  
Furnishings

**Certification number**

Greenguard -  
42729-410

Greenguard Gold -  
42729-420



## Certifications

- Products are manufactured in an ISO14001 certified facility
- Projecta is an ISO 9001 certified company
- REACH - Registration, Evaluation, Authorisation and Restriction of Chemical substances.
- RoHS - Restriction of Hazardous Substances.
- WEEE - Waste Electronic and Electrical Equipment Regulations.



## Customisation

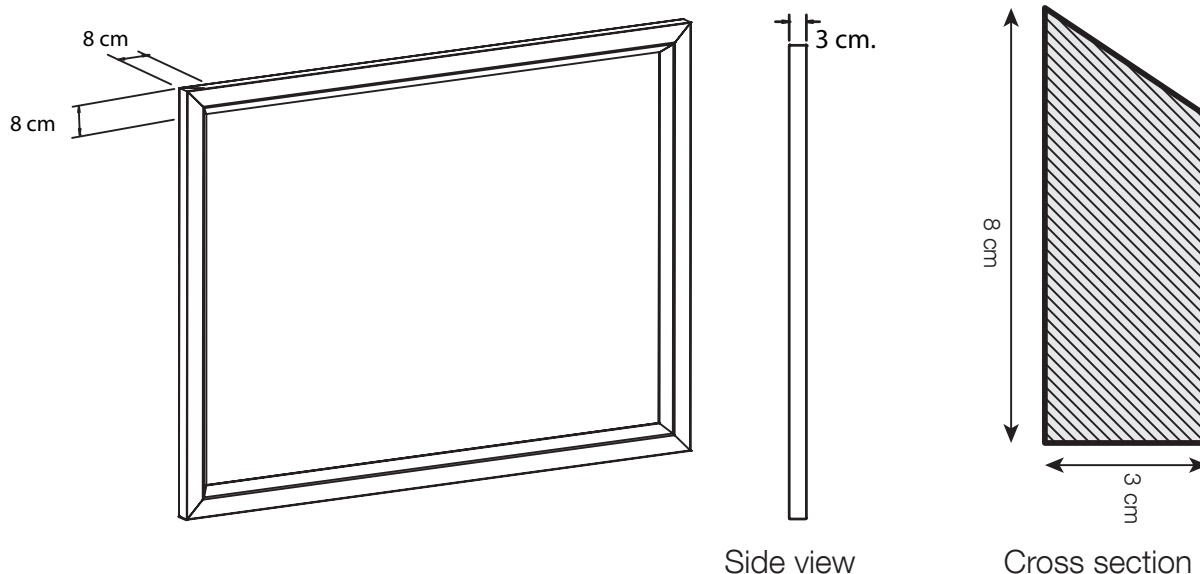
Give exact the sizes of the projection screen you need:

Viewing size: \_\_\_\_\_ Height (cm.) x \_\_\_\_\_ width (cm.)

Surface: \_\_\_\_\_ Frame color: RAL \_\_\_\_\_

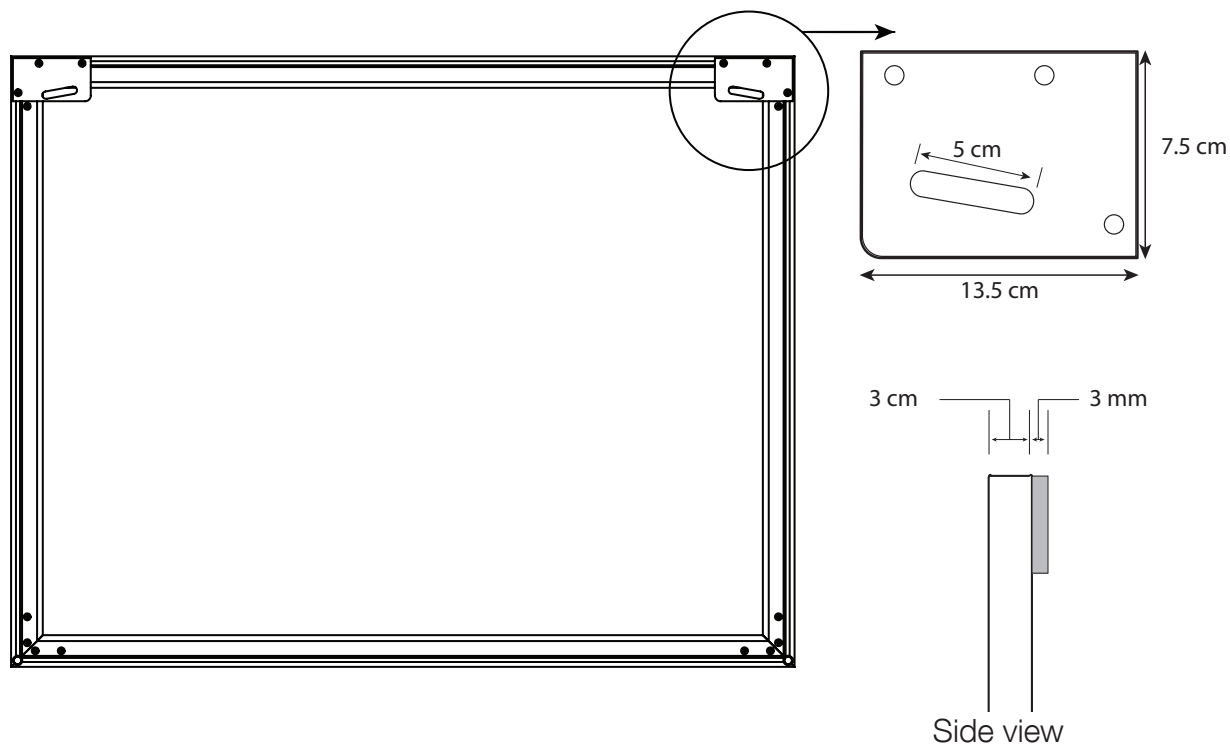
Remarks: \_\_\_\_\_

## Frame dimensions



## Installation

Easy and flush installation by hanging the screen over two screws by using the integrated flat (3mm) mounting brackets.



## Warranty

Projecta provides a limited 5 year warranty on the Elpro Concept range and a limited 2 year warranty on all other products. The warranty on the motor of electrical screens is 5 year. All warranties are in effect beginning the date the product was invoiced by Projecta.