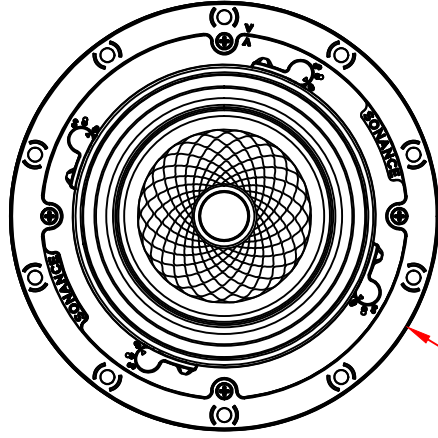
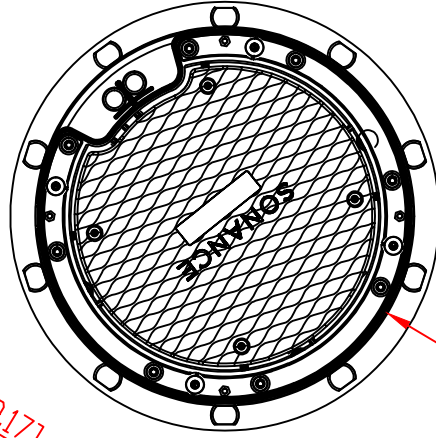


FRONT



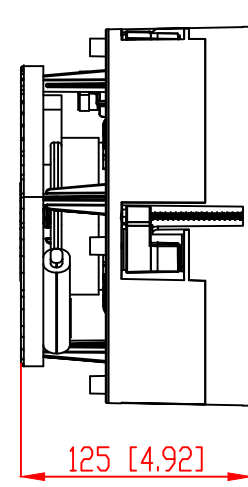
Ø232.8 [Ø9.17]

BACK / MINIMUM CUTOUT



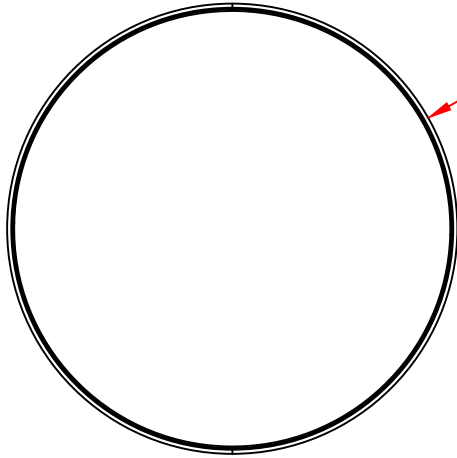
Ø205.7 [Ø8.10]

MOUNTING DEPTH



125 [4.92]

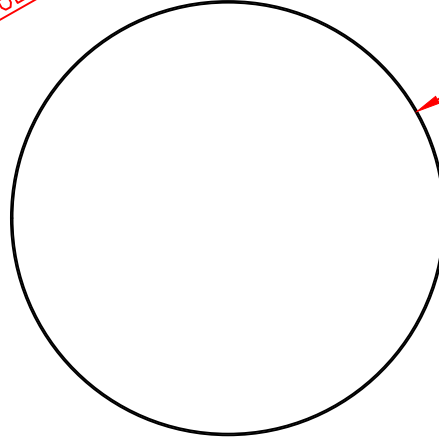
MICRO TRIM GRILLE



Ø244.4 [Ø9.62]

4.0 [0.16]

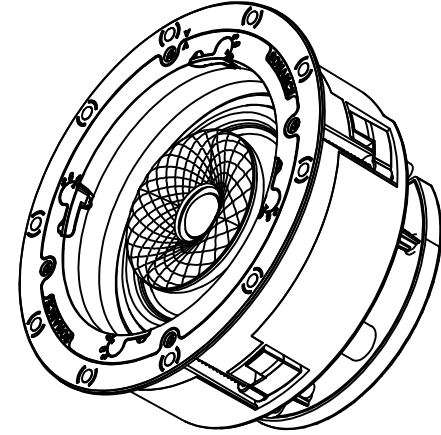
TRIMLESS GRILLE



Ø235.6 [Ø9.28]

3.6 [0.14]

ISOMETRIC



VX62R SPEAKER

SCALE: 1:1
SHEET: 0F

DRAWN BY: Roy
DRAWN - PART NUMBER

REV.

991 Calle Amanecer
San Clemente, California 92673 USA
949-492-7777
WWW.SONANCE.COM

SONANCE