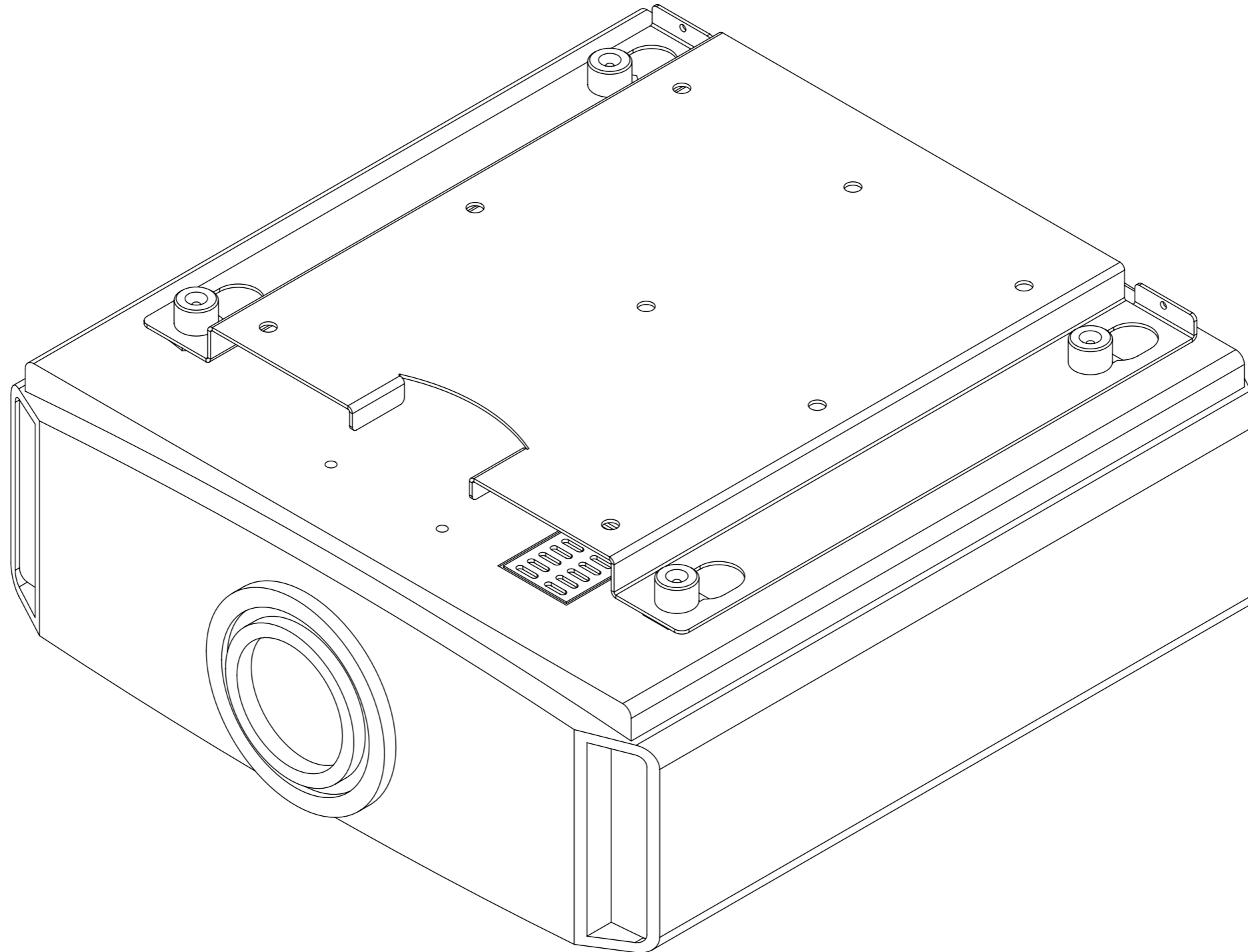


PCM-JVC-DLA-N

PROJECTOR MOUNT FOR JVC PROJECTORS



future automation



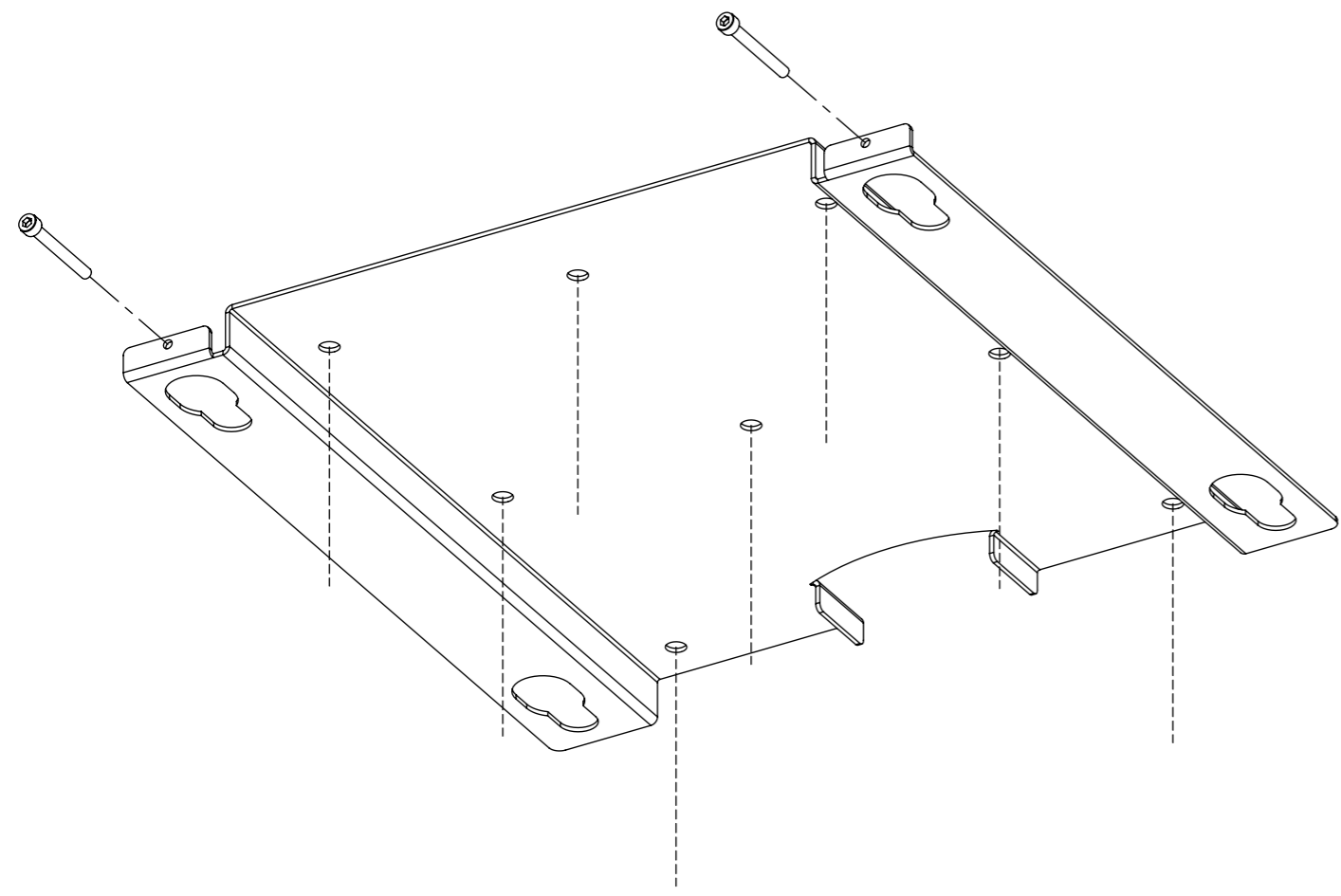
PCM-JVC-DLA-N

PROJECTOR MOUNT FOR JVC PROJECTORS

THIS MOUNT IS COMPATIBLE WITH JVC DLA-NX9,N7, AND N5 PROJECTORS

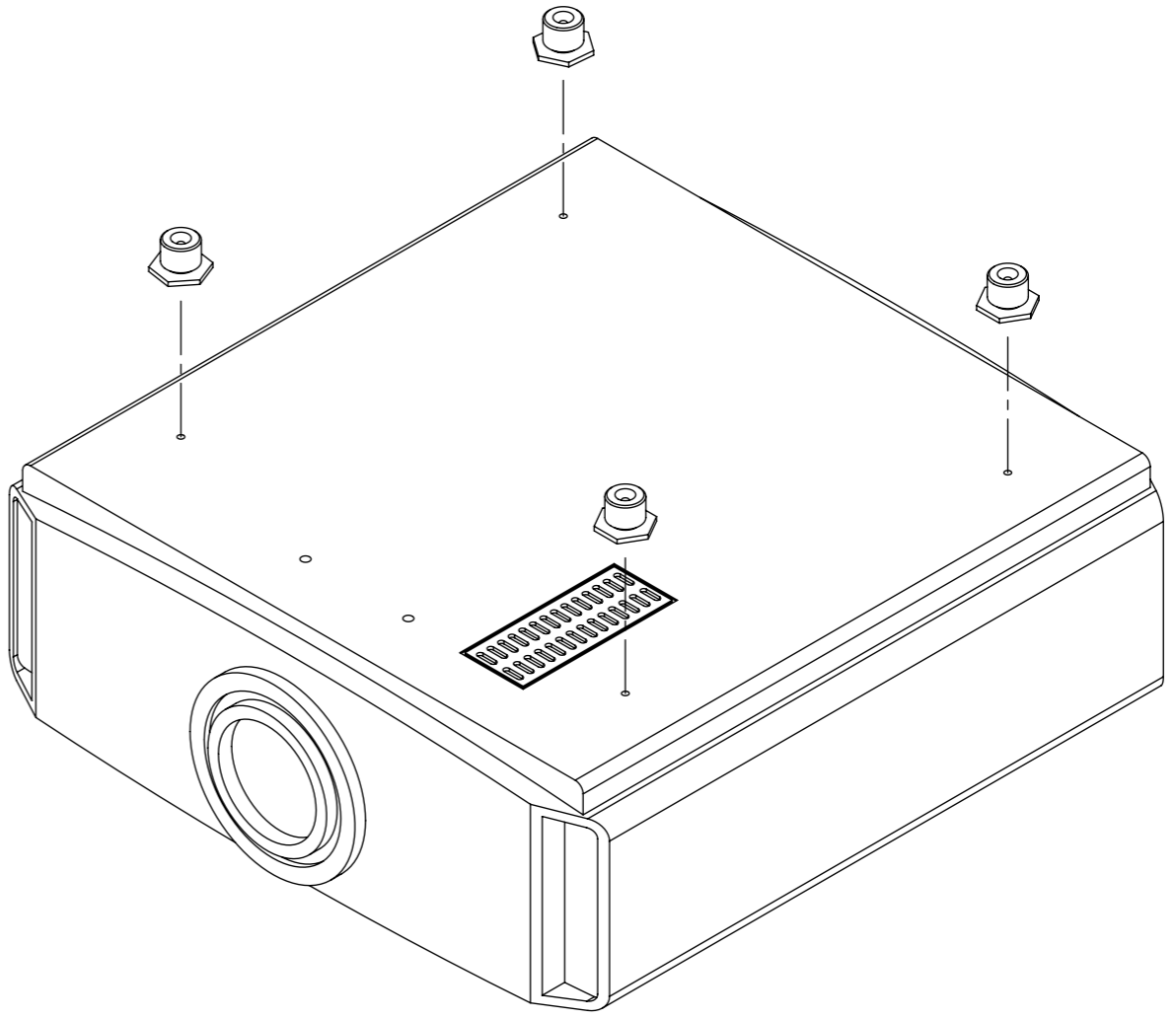
Secure Mount Plate to Ceiling

Screw mount to the ceiling and ensure projector securing bolt are inserted slightly.



Secure Bobbins to Projector

Screw in the Bobbins to the projector



PCM-JVC-DLA-N

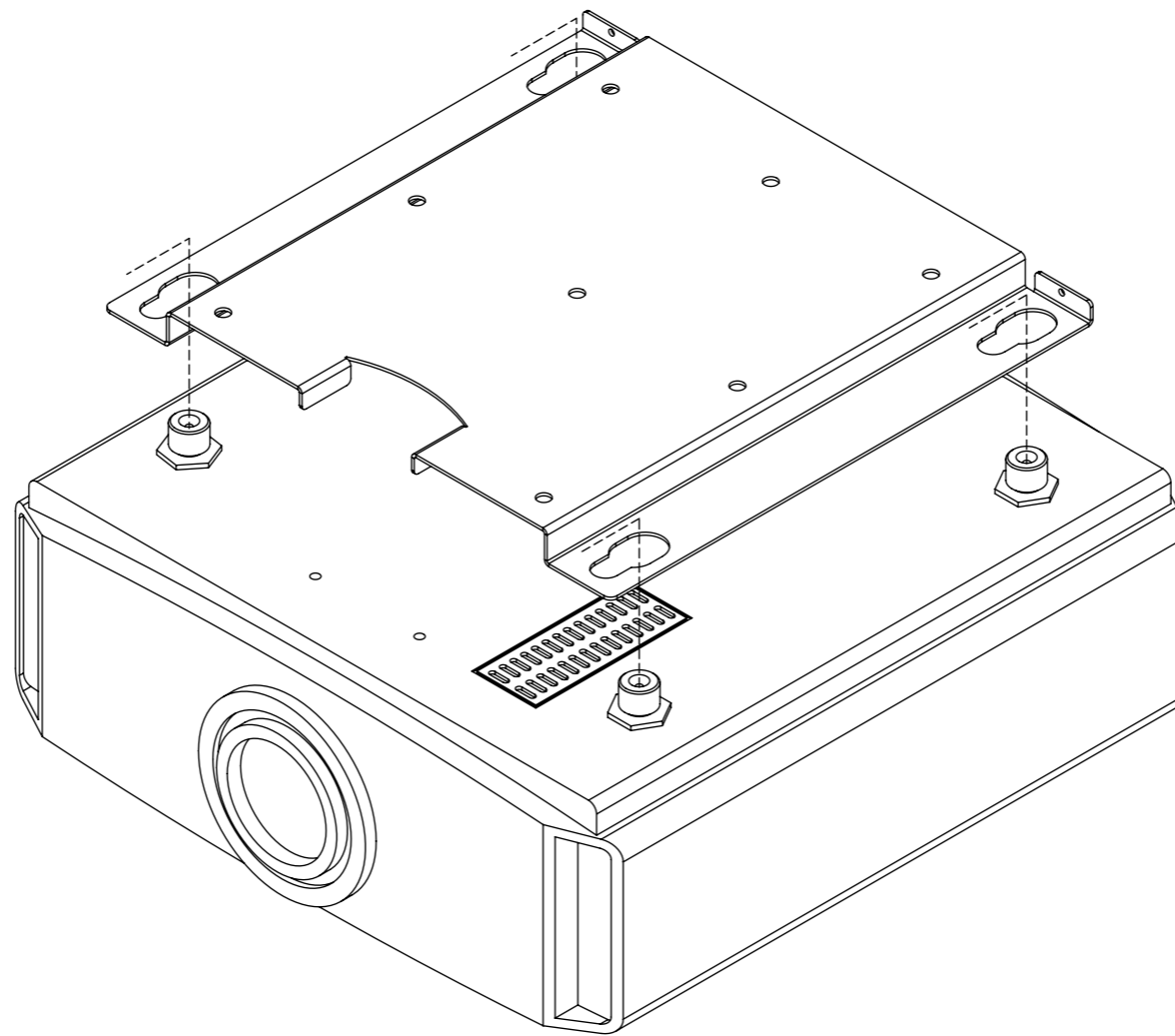
PROJECTOR MOUNT FOR JVC PROJECTORS



future automation

Attach Projector to Mount

Lift bobbins through the hole and slide forward, once in place tighten securing bolts.



PCM-JVC-DLA-N

PROJECTOR MOUNT FOR JVC PROJECTORS

