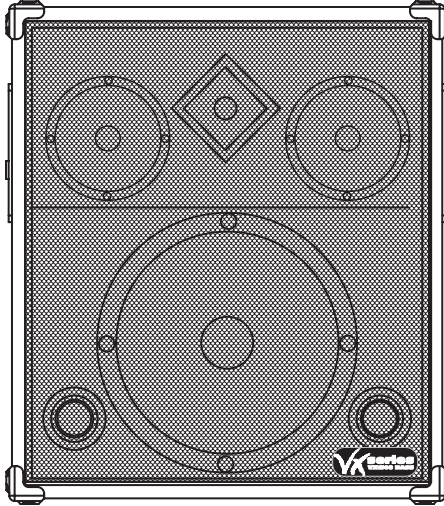


VX1508



**15" + 2 x 8" + 1" High Frequency CD
Bass Enclosure**

Owners Manual

Hartke

VX-series

VX1508 Introduction and Features

Congratulations on purchasing the VX1508 bass enclosure by Hartke! Continuing Larry Hartke's legendary commitment to bass players, the VX "Very Extreme" Series enclosures have been designed to provide excellent tone with a warm punchy output. The VX1508 features a 15", proprietary low frequency driver with specially treated cone, impregnated fabric surround and matched convex dust cover, all mounted in a heavy duty steel frame. Two custom designed, sealed-back 8-inch midrange drivers provide snappy punch. Rounding out the tone is a proprietary, horn loaded, 1" titanium compression driver. In addition, the unique angled enclosure projects the sound up towards the player. Using heavy-duty plywood construction, covered in rugged carpet with recessed jack plate and ergonomic handle, the VX1508 will provide reliable performance from gig to gig and venue to venue.

In these pages, you'll find a detailed description of the features of the VX1508, as well as step-by-step instructions for its setup and use and full specifications. You'll also find a warranty card enclosed—please don't forget to fill it out and mail it in so that you can receive online technical support and so we can send you updated information about these and other Samson products in the future.

We recommend you record your serial number in the space provided below for future reference.

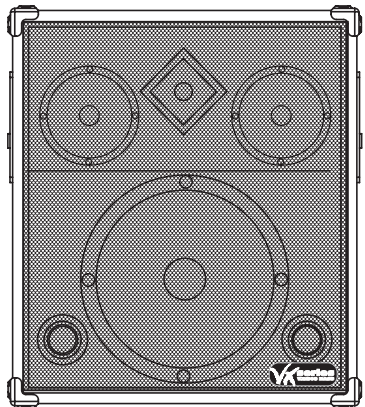
Serial number: _____

Date of purchase: _____

Should your unit ever require servicing, a Return Authorization number (RA) must be obtained before shipping your unit to Samson. Without this number, the unit will not be accepted. Please call Samson at 1-800-3SAMSON (1-800-372-6766) for a Return Authorization number prior to shipping your unit. Please retain the original packing materials and if possible, return the unit in the original carton and packing materials.

VX1508 Features

- 1 x 15 inch, heavy-duty, low frequency driver
- 2 x 8" sealed-back Mid-range drivers
- 1" titanium compression driver
- 3/4" plywood construction
- 2 Front Tuned Ports
- Perforated metal speaker grill
- Recessed handles
- Stacking corners
- Dual, parallel wired 1/4" jacks
- Covered in durable carpet



Connecting the VX1508

About Impedance

Before you hook up your speaker cabinet, be sure that you understand a little about impedance. Impedance is the electronic load that the speaker puts on the power amplifier and is measured in Ohms.

Here is the tricky, yet simple rule of impedance: When two speaker cabinets are wired in "Parallel", the total impedance is cut in half and when two speaker cabinets are wire is "Series" the total impedance is the sum of the cabinet's individual impedance.

The VX1508 impedance is 8 Ohms. So, when two VX1508's are connected together in parallel, the total impedance is 4 Ohms. The impedance of your speaker also has an effect on your amplifier. In general, the lower the impedance, the more power your amplifier will put out.

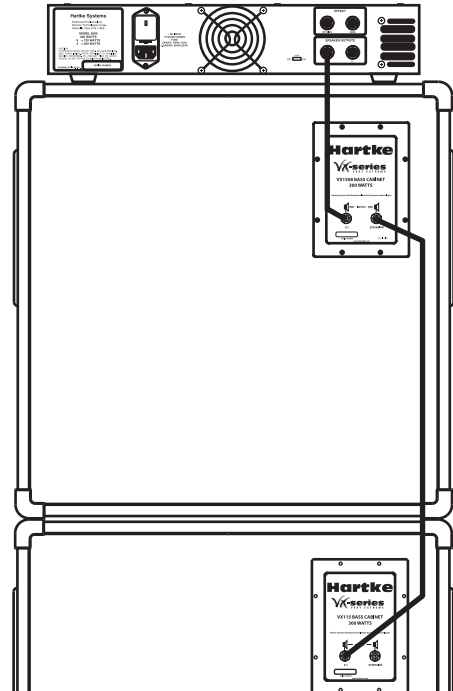
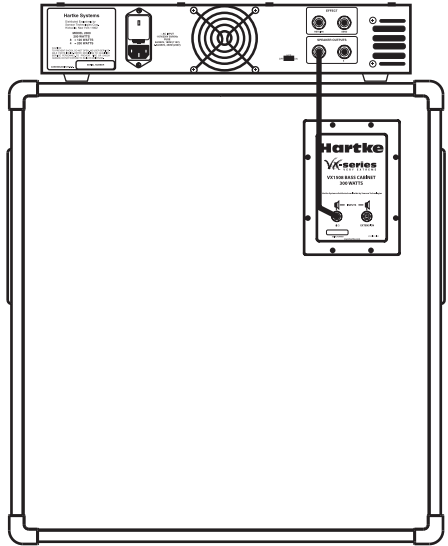
IMPORTANT: There is a minimum safe impedance so be sure to check the manufacturer's recommended impedance for your amplifier to avoid any damage to your amplifier or voiding your warranty.

Connecting the VX1508 to Your Amplifier

The VX1508 connections are made via 1/4" phone jacks located on the rear panel jack-plate. Be sure to make your connection with un-shielded speaker cable. Connect the Amplifier Output to the speaker Input on the VX1508's rear jackplate.

Using the EXTENSION Output

The VX1508 provides a convenient Extension Output for connecting additional speaker cabinets in parallel. Be sure to read the section above on impedance to insure a proper hook-up with your amplifier. Follow the steps below to connect a VX1508 and a VX115 using the Extension Output. Connect the Amplifier Output to the Input of the first VX1508. Now, connect the Extension Output to the Input of the VX115.



VX1508 Specifications

Type	Bass reflex speaker enclosure
Impedance (Ohms)	8 Ohms
Power Handling	350 Watts Peak Power Handling
SPL	98dB @1 Meter / 1 Watt
Frequency Response	40 Hz to 18 kHz
Low Frequency Drivers	15" Special Design, 8 ohm, 300 watt Driver
Mid Frequency Driver	2 x 8" Special Design, Sealed-back 16 ohm, 100 watt Driver
High Frequency Driver	1" Throat Compression Driver
Dimensions	Height: 30.25" (76.9 cm) Width: 26" (66.1 cm) Depth: 15" (47.0 cm)
Weight	67.75 lbs. (30.73 kg)

Specifications subject to change without notice.

Hartke

Distributed Worldwide Exclusively by:
Samson Technologies Corp.
575 Underhill Blvd.
P.O. Box 9031
Syosset, NY 11791-9031
Phone: 1-800-3-SAMSON (1-800-372-6766)
Fax: 516-364-3888
www.samsontech.com