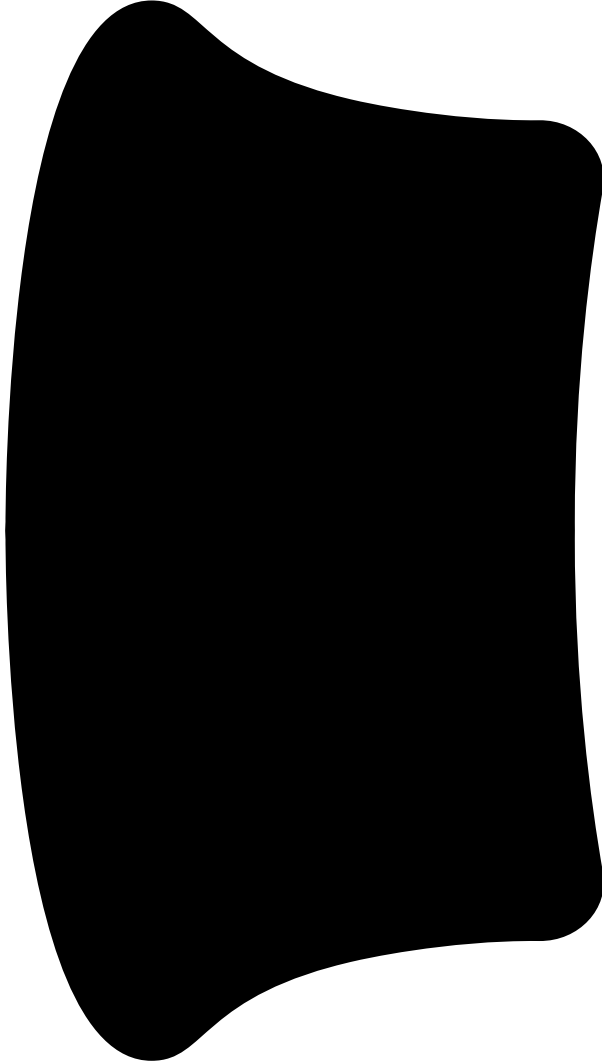


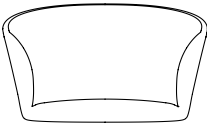
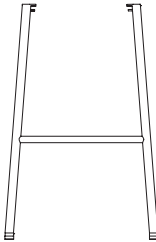

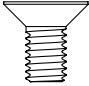
# Kendo Bar Chair



**Assembly  
Instruction**

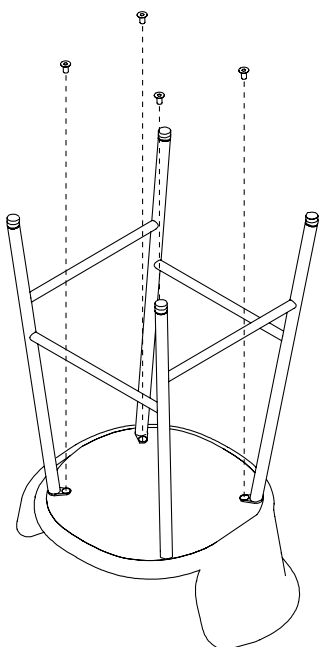
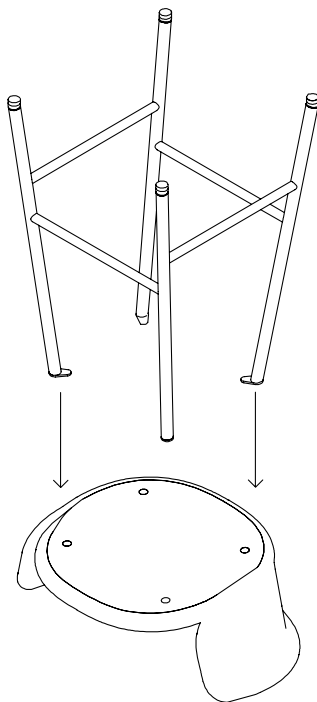
## *Kendo Bar Chair*

The Kendo Chair's soft, wrap-around upper offers an appealingly ergonomic seating experience. Simultaneously protective and inviting, this design by LucidiPevere offers a shielding shape combined with a gentle embrace. The generous seat is wide and comfortable, allowing you to move freely, shift position, express yourself. Whether around a boardroom or a dining table, Kendo keeps you comfortable for long periods of time. Its sturdy welded frame makes this chair built to last. A barstool and bar chair complete the Kendo family.

Parts			
			
Seat	8 × Screws	8 × Washers	Locking hinge

**Step 1**

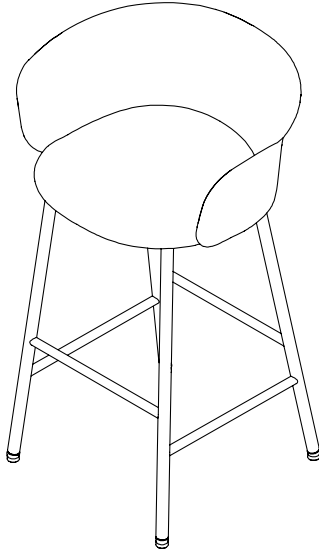
Turn the seat around and secure on a dry and clean surface. Carefully place the leg construction onto the dedicated holes on the seat. Make sure all holes align accurately.

**Step 2**

With the allen key, screw in all eight screws into the holes. Start by tightening them all slightly, and afterwards tightening them fully.

**Step 3**

Your Kendo Bar Chair is now ready assembled.



Should you have any problems assembling your product, contact us at [info@hem.com](mailto:info@hem.com). We're always happy to help!

We have carefully selected the materials used in this product, and ask you to treat it responsibly too. Please recycle all packaging according to your local disposal rules.

# Hem