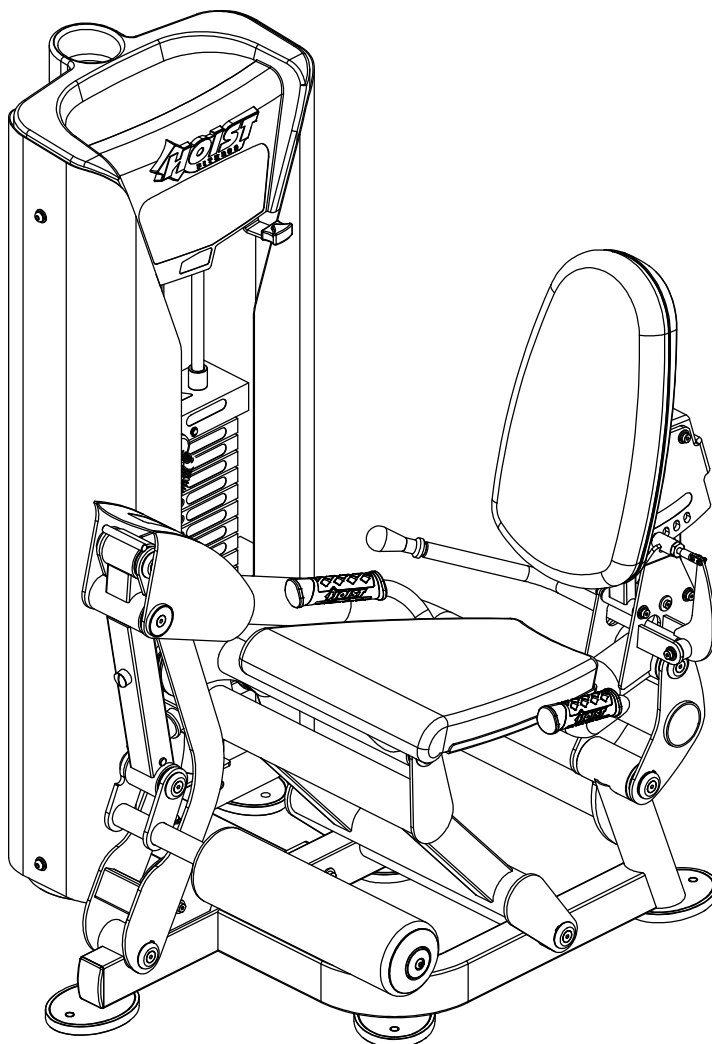


OWNER'S MANUAL



RS-2401 LEG EXTENSION



****WARNING!****

TO PREVENT POSSIBLE TIPPING, BOLT THIS UNIT TO THE EXERCISE FLOOR USING MINIMUM 4-1/2" LONG BOLTS. FAILURE TO DO SO MAY RESULT IN SERIOUS INJURY OR DEATH.

Note: Both Serial Number and Model Number are Required when Ordering Parts

RECORD SERIAL NUMBER HERE

MACHINE CODE

A03

Customer Service

(800) 548-5438

(858) 578-7676

Fax

(858) 578-9558



www.facebook.com/hoistfitness

OWNER'S MANUAL

CONTENTS

INSTRUCTIONS	02
FRAME ASSEMBLY	04
PRE-ASSEMBLY.....	19
DECAL PLACEMENT.....	20
DECAL REFERENCE.....	21
PART LIST.....	23
ABBREVIATIONS.....	26
BOLT SIZING CHART.....	27
WASHER SIZING CHART.....	28
MAINTENANCE SCHEDULE.....	30
GENERAL MAINTENANCE INFORMATION.....	31
WEIGHT TRAINING TIPS.....	32
EXERCISE LOG.....	33
LIMITED WARRANTY.....	34

OWNER'S MANUAL

INSTRUCTIONS

Before beginning assembly please take the time to read instructions thoroughly. Please use the various lists in this manual to make sure that all parts have been included in your shipment. When ordering, use part number and description from the lists. Use only HOIST replacement parts when servicing. Failure to do so will void your warranty and could result in personal injury.

HOIST equipment is designed to provide the smoothest, most effective exercise motion possible. After assembly, you should check all functions to ensure correct operation. If you experience problems, first recheck the assembly instructions to locate any possible errors made during assembly. If you are unable to correct the problem, call your authorized HOIST dealer. Be sure to have your serial number and this manual when calling. When all parts have been accounted for, continue on.

TOOLS REQUIRED

Ratchet Wrench

1/2", 9/16" and 3/4" Sockets

Adjustable Wrench

Rubber Mallet

Tape Measure

Level

SAE Hex Key Wrench Set

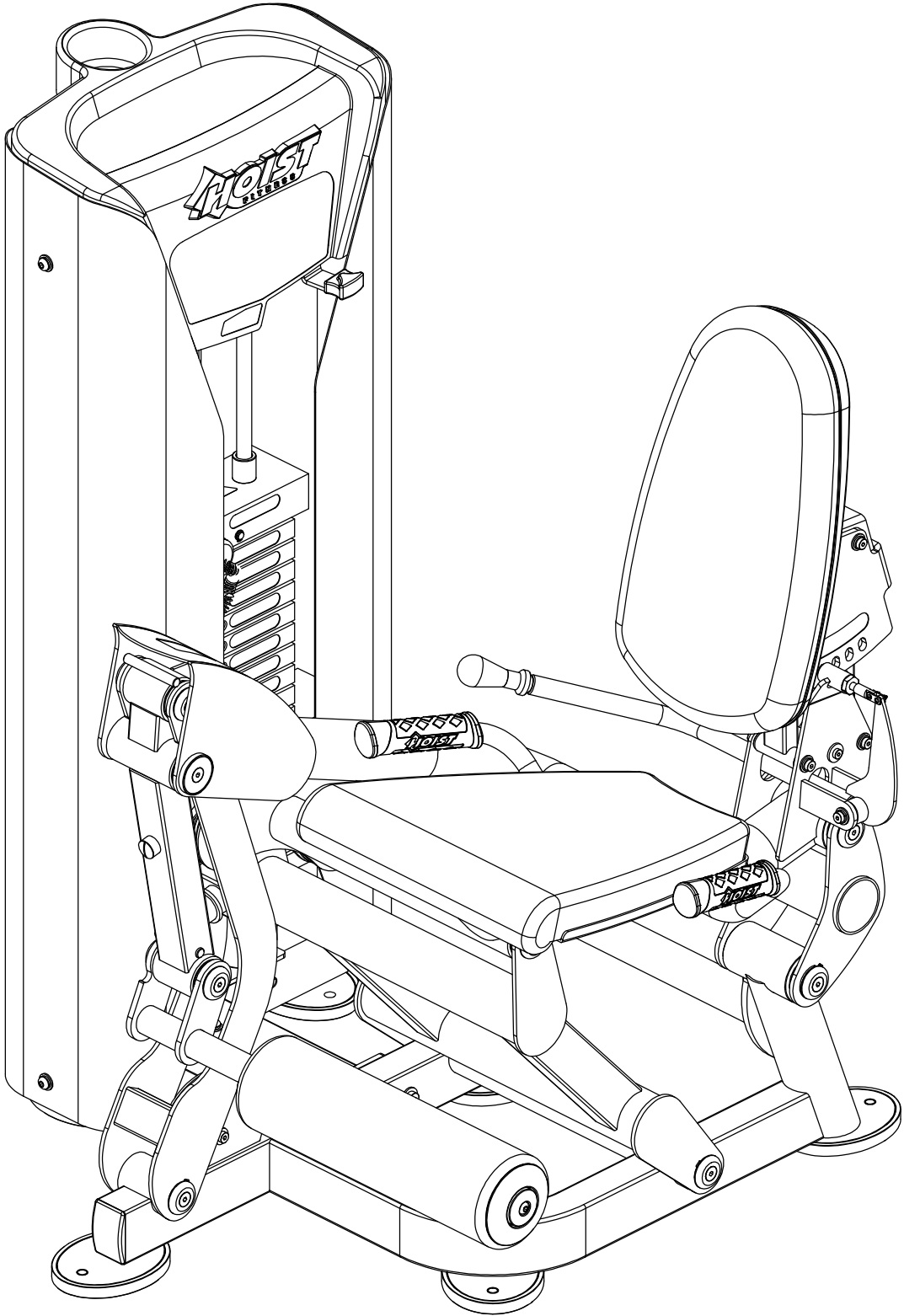
Two People

OWNER'S MANUAL

THIS PAGE WAS INTENTIONALLY LEFT BLANK

OWNER'S MANUAL

FRAME ASSEMBLY



OWNER'S MANUAL

FRAME ASSEMBLY

REFER TO RS-CAGE-NG MANUAL BEFORE BEGINNING THIS STEP

NOTE:

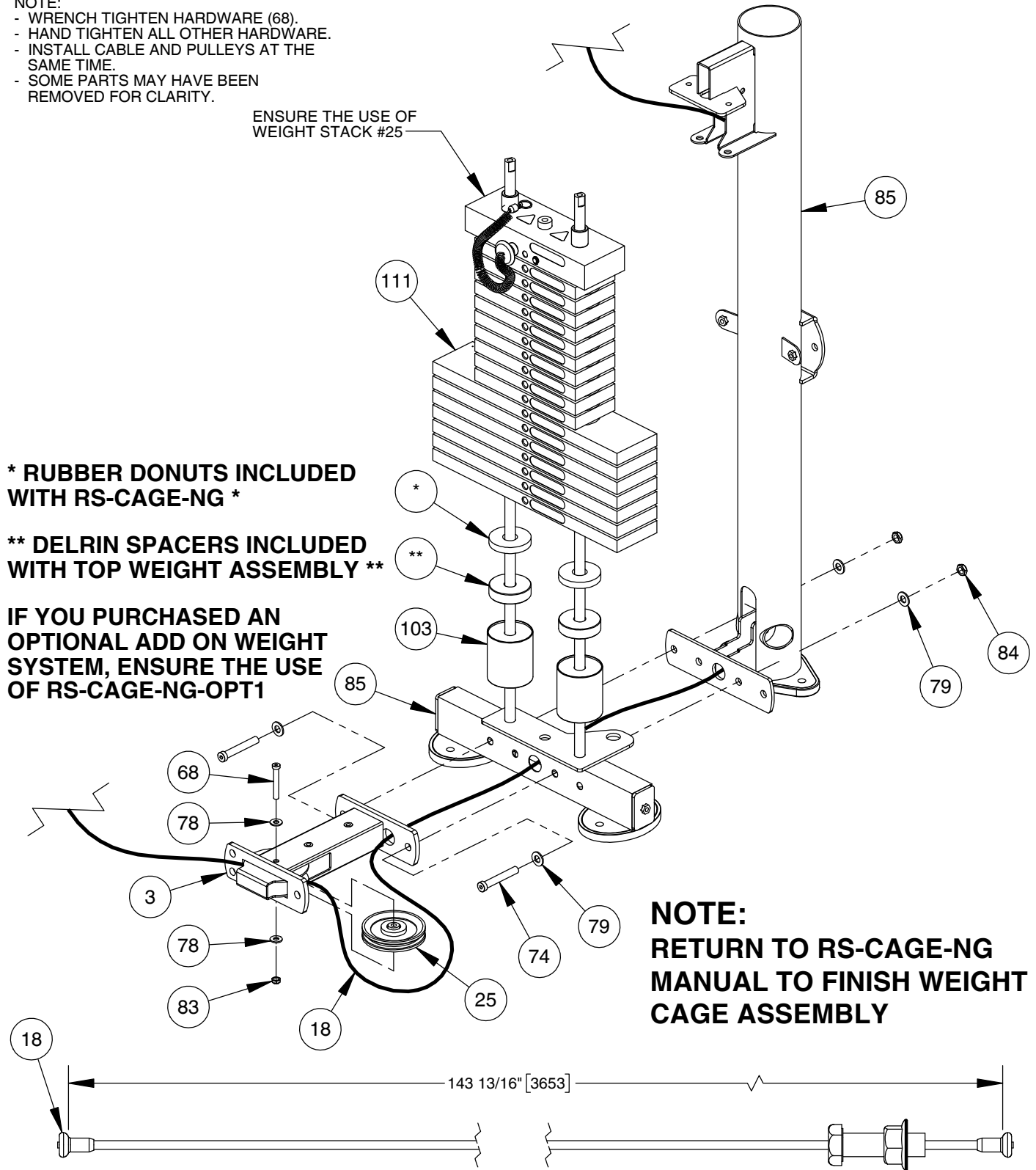
- WRENCH TIGHTEN HARDWARE (68).
- HAND TIGHTEN ALL OTHER HARDWARE.
- INSTALL CABLE AND PULLEYS AT THE SAME TIME.
- SOME PARTS MAY HAVE BEEN REMOVED FOR CLARITY.

ENSURE THE USE OF WEIGHT STACK #25

*** RUBBER DONUTS INCLUDED WITH RS-CAGE-NG ***

**** DELRIN SPACERS INCLUDED WITH TOP WEIGHT ASSEMBLY ****

IF YOU PURCHASED AN OPTIONAL ADD ON WEIGHT SYSTEM, ENSURE THE USE OF RS-CAGE-NG-OPT1

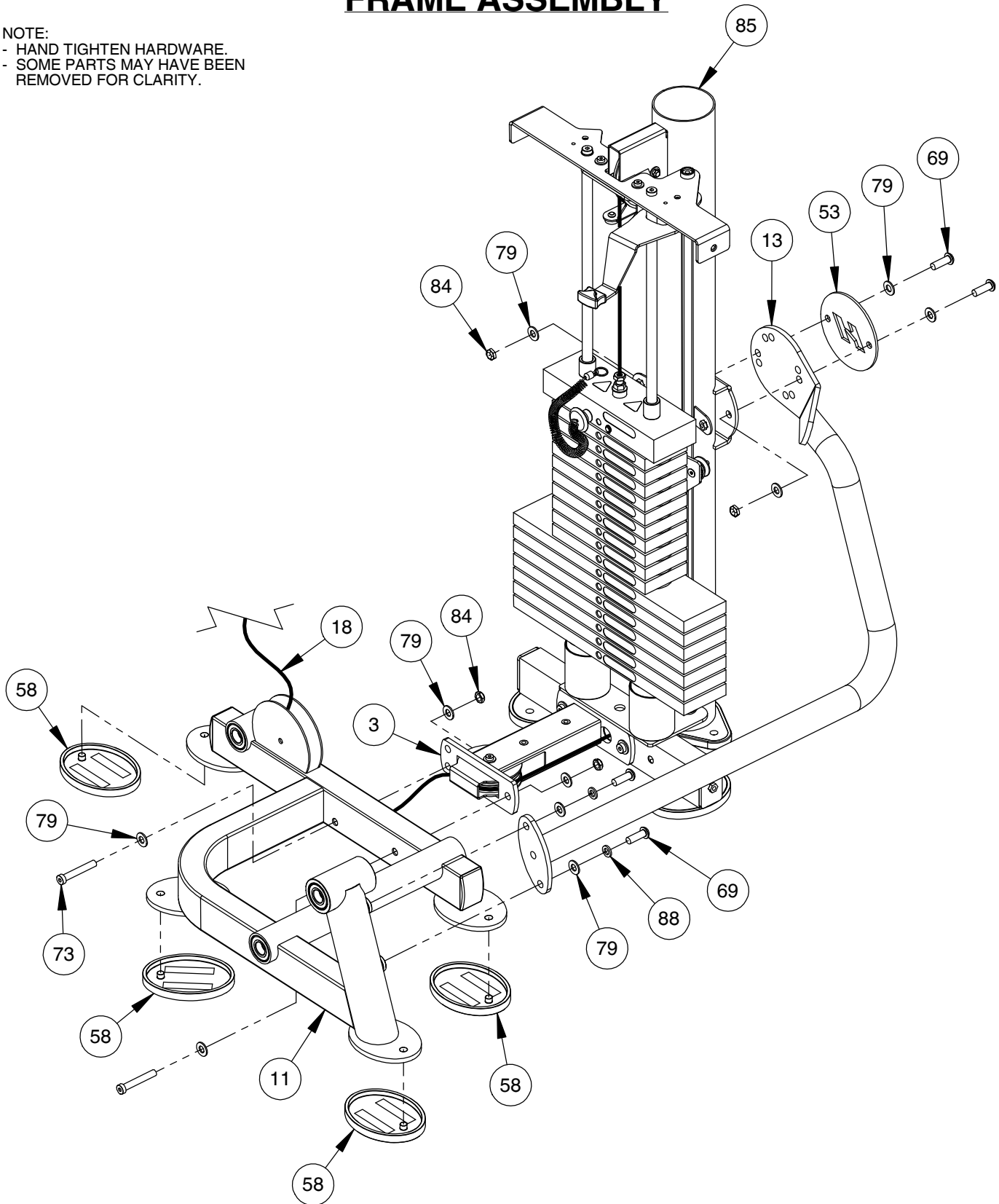


**NOTE:
RETURN TO RS-CAGE-NG
MANUAL TO FINISH WEIGHT
CAGE ASSEMBLY**

OWNER'S MANUAL

FRAME ASSEMBLY

NOTE:
- HAND TIGHTEN HARDWARE.
- SOME PARTS MAY HAVE BEEN
REMOVED FOR CLARITY.



OWNER'S MANUAL

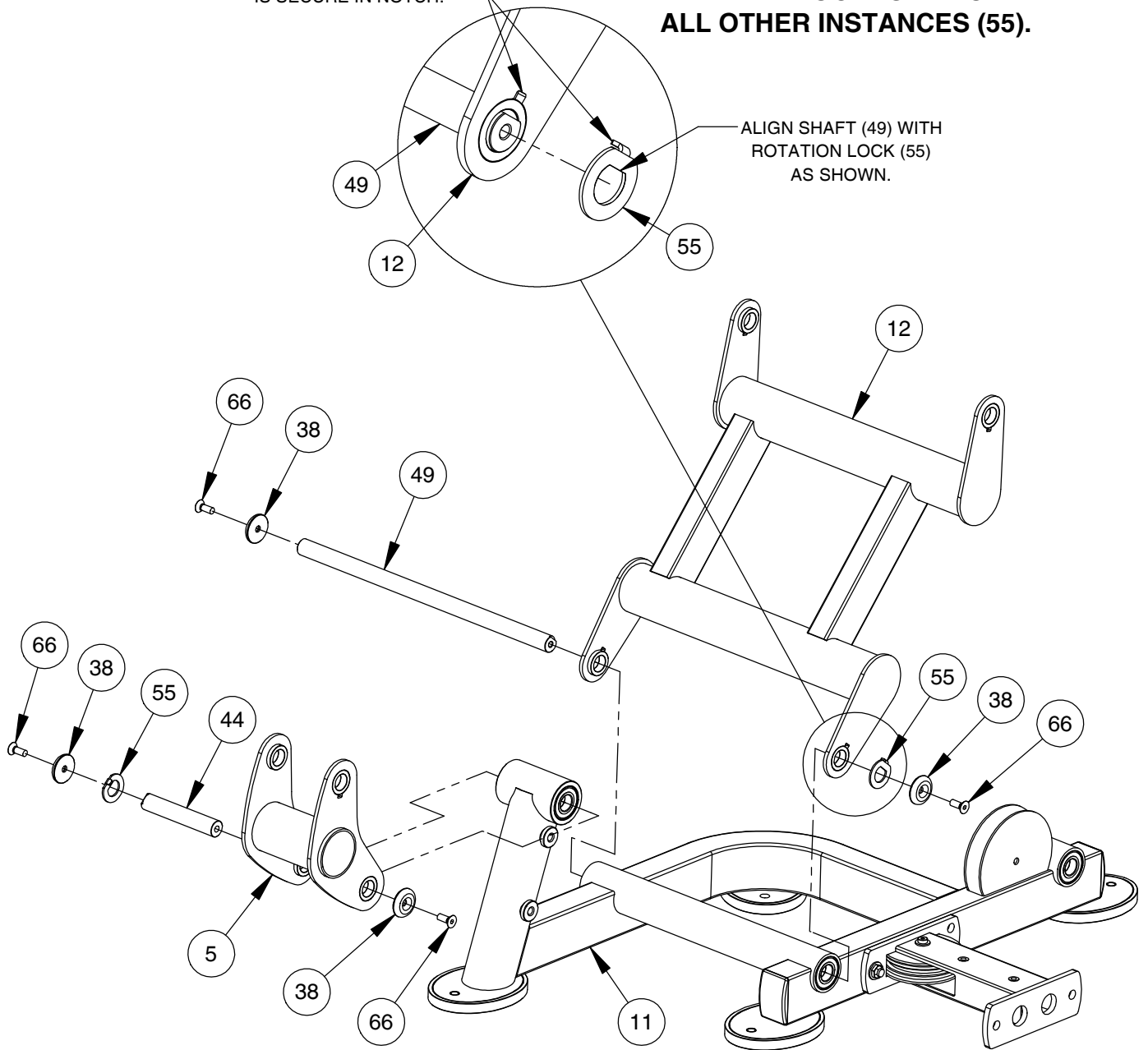
FRAME ASSEMBLY

NOTE:
- HAND TIGHTEN HARDWARE.
- SOME PARTS MAY HAVE BEEN
REMOVED FOR CLARITY.

NOTE:
REPEAT PROCEDURE FOR
ALL OTHER INSTANCES (55).

ALIGN TO ENSURE TAB
IS SECURE IN NOTCH.

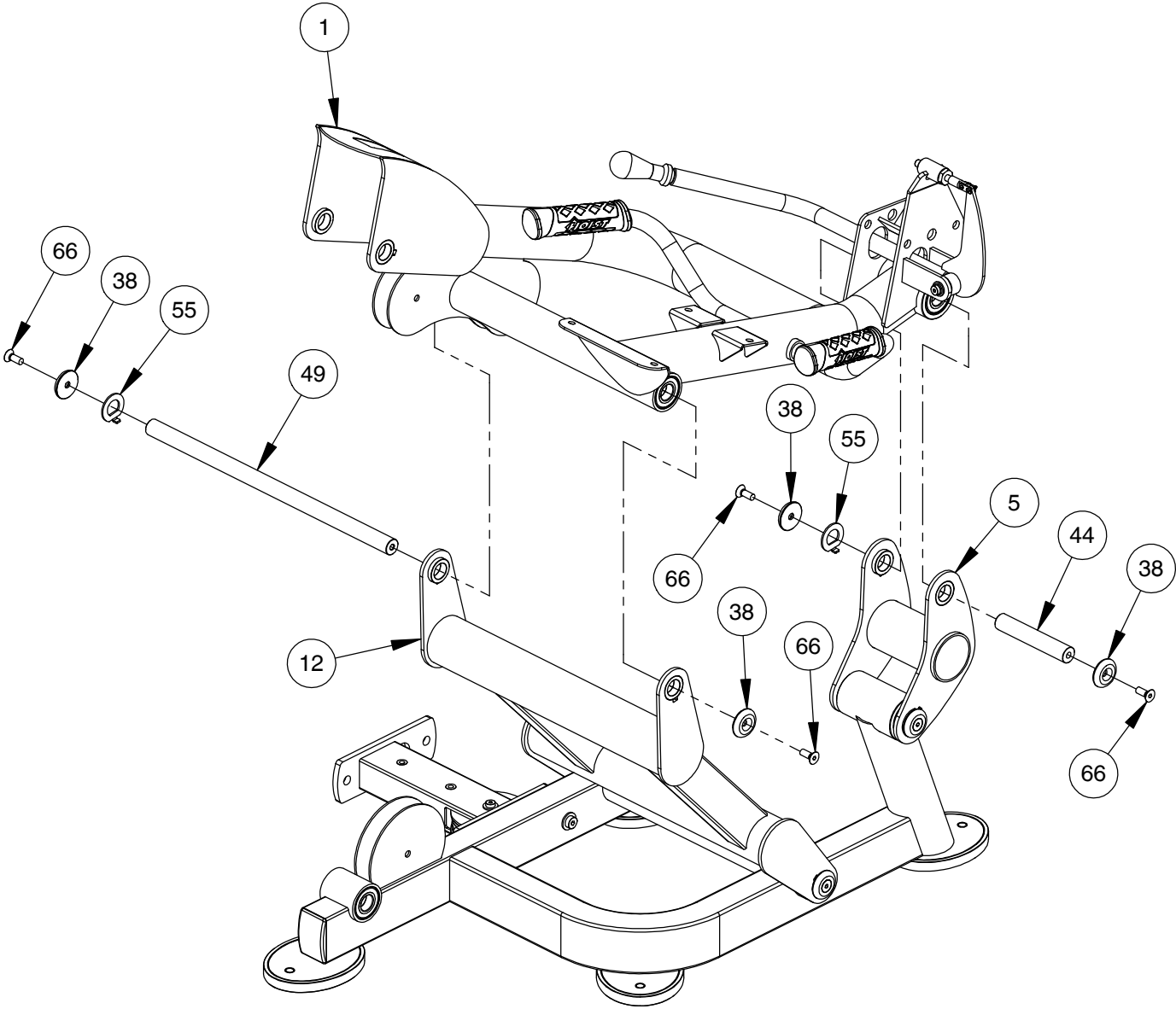
ALIGN SHAFT (49) WITH
ROTATION LOCK (55)
AS SHOWN.



OWNER'S MANUAL

FRAME ASSEMBLY

NOTE:
- HAND TIGHTEN HARDWARE.
- SOME PARTS MAY HAVE BEEN
REMOVED FOR CLARITY.

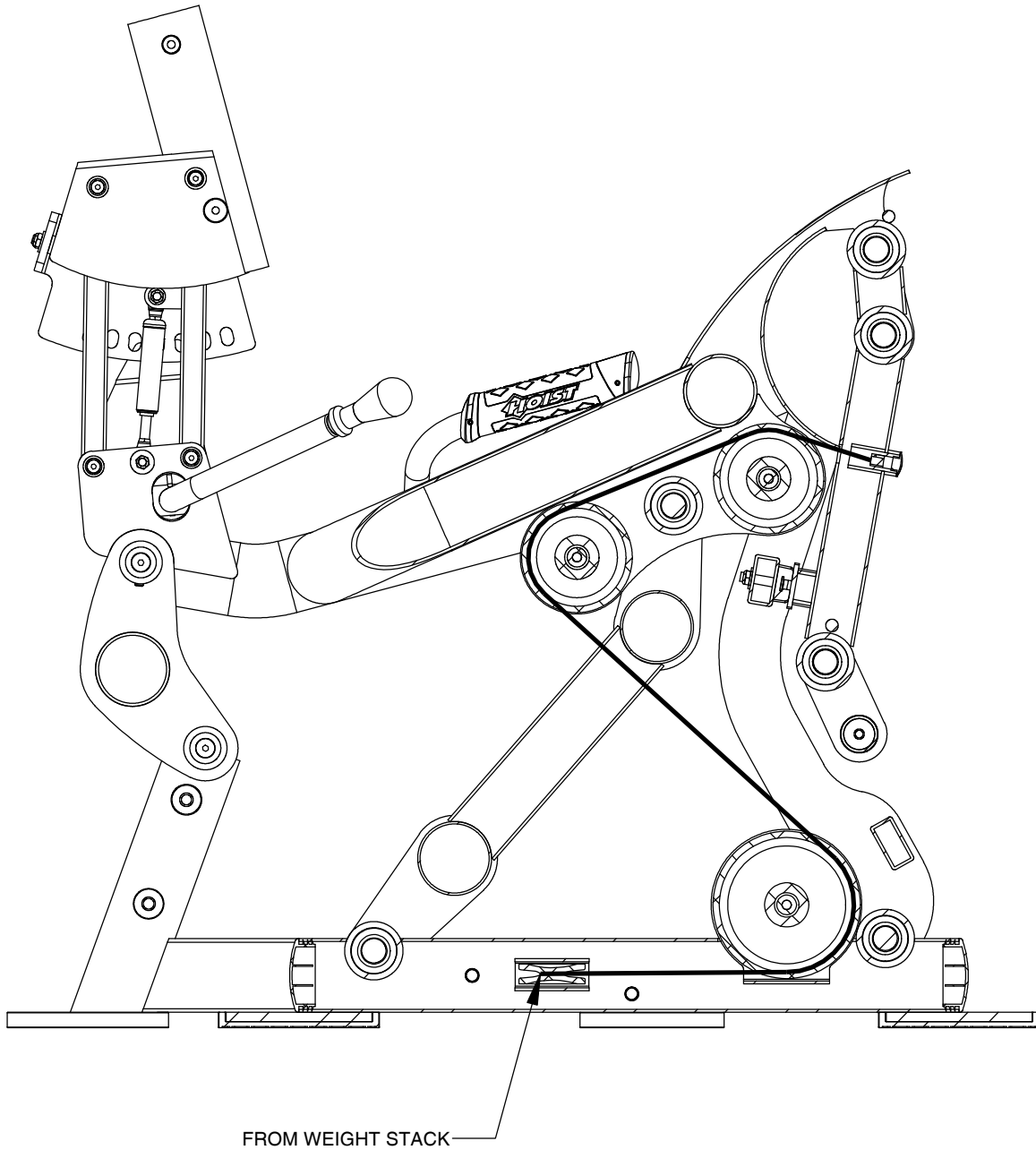


OWNER'S MANUAL

FRAME ASSEMBLY

NOTE:
- SOME PARTS MAY HAVE BEEN
REMOVED FOR CLARITY.

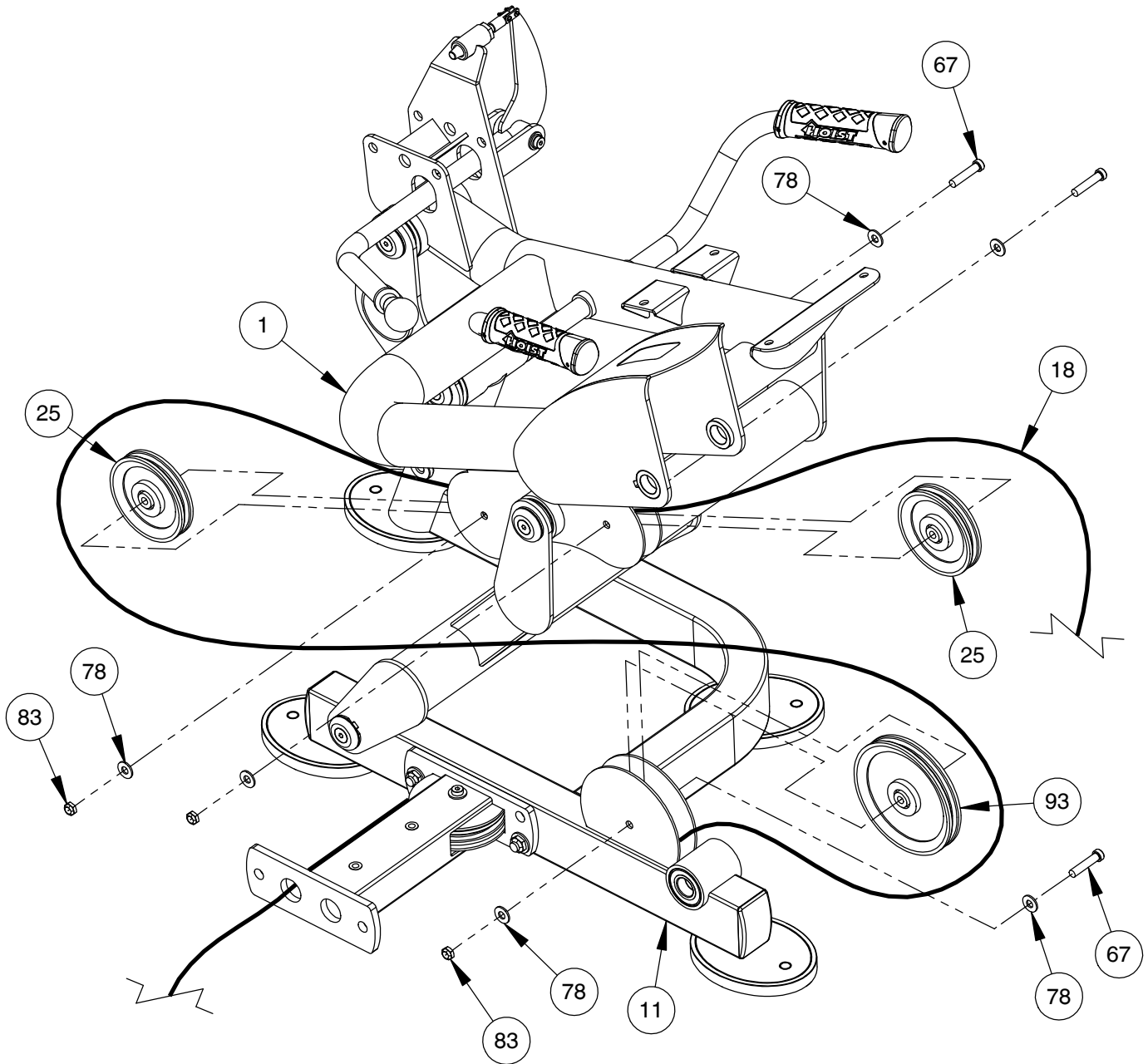
CABLE PROFILE VIEW



OWNER'S MANUAL

FRAME ASSEMBLY

- NOTE:
- WRENCH TIGHTEN HARDWARE.
 - INSTALL CABLE AND PULLEYS AT THE SAME TIME.
 - SOME PARTS MAY HAVE BEEN REMOVED FOR CLARITY.

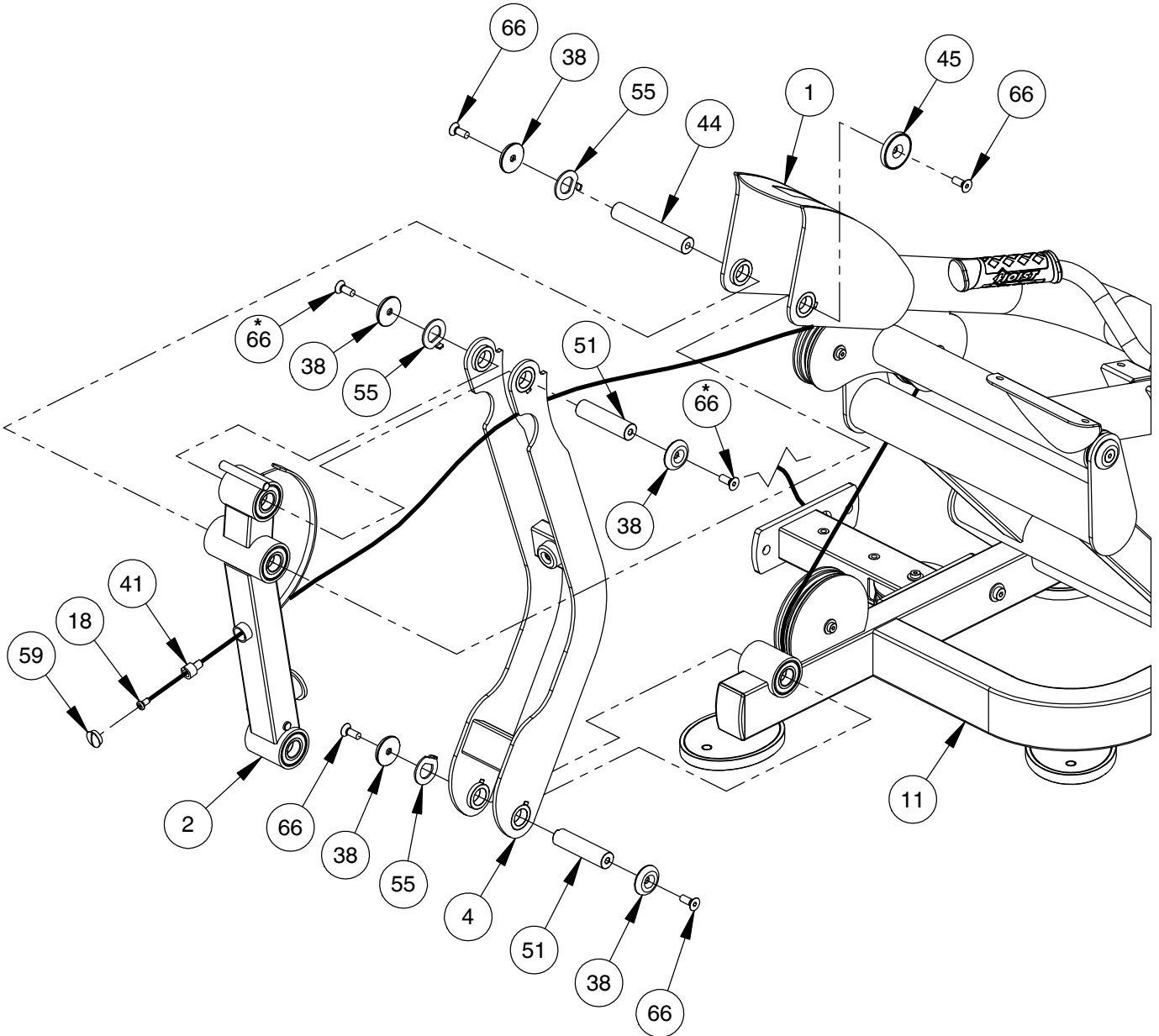


OWNER'S MANUAL

FRAME ASSEMBLY

NOTE:

- * WRENCH TIGHTEN HARDWARE.
- HAND TIGHTEN ALL OTHER HARDWARE.
- SOME PARTS MAY HAVE BEEN REMOVED FOR CLARITY.

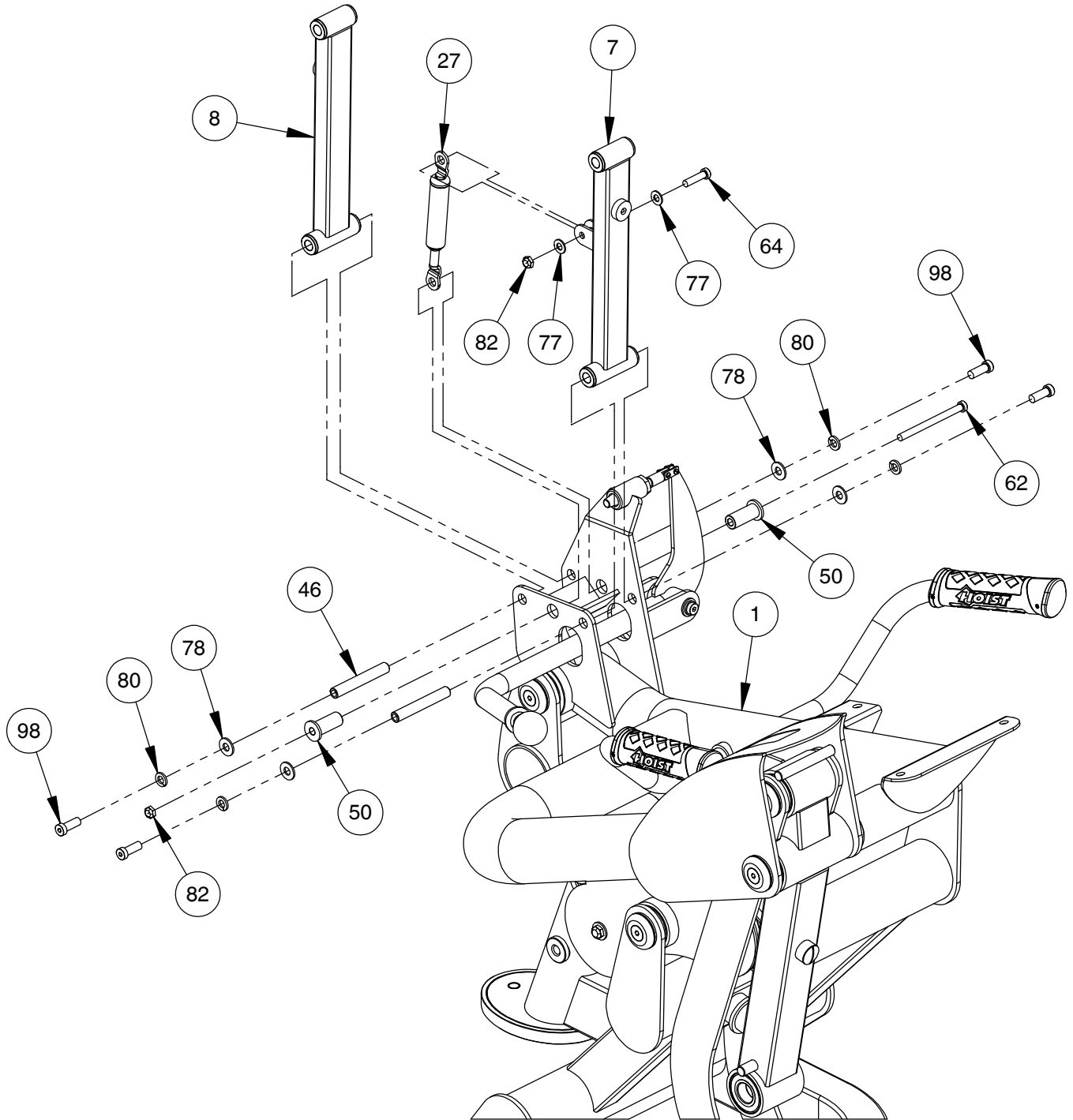


OWNER'S MANUAL

FRAME ASSEMBLY

NOTE:

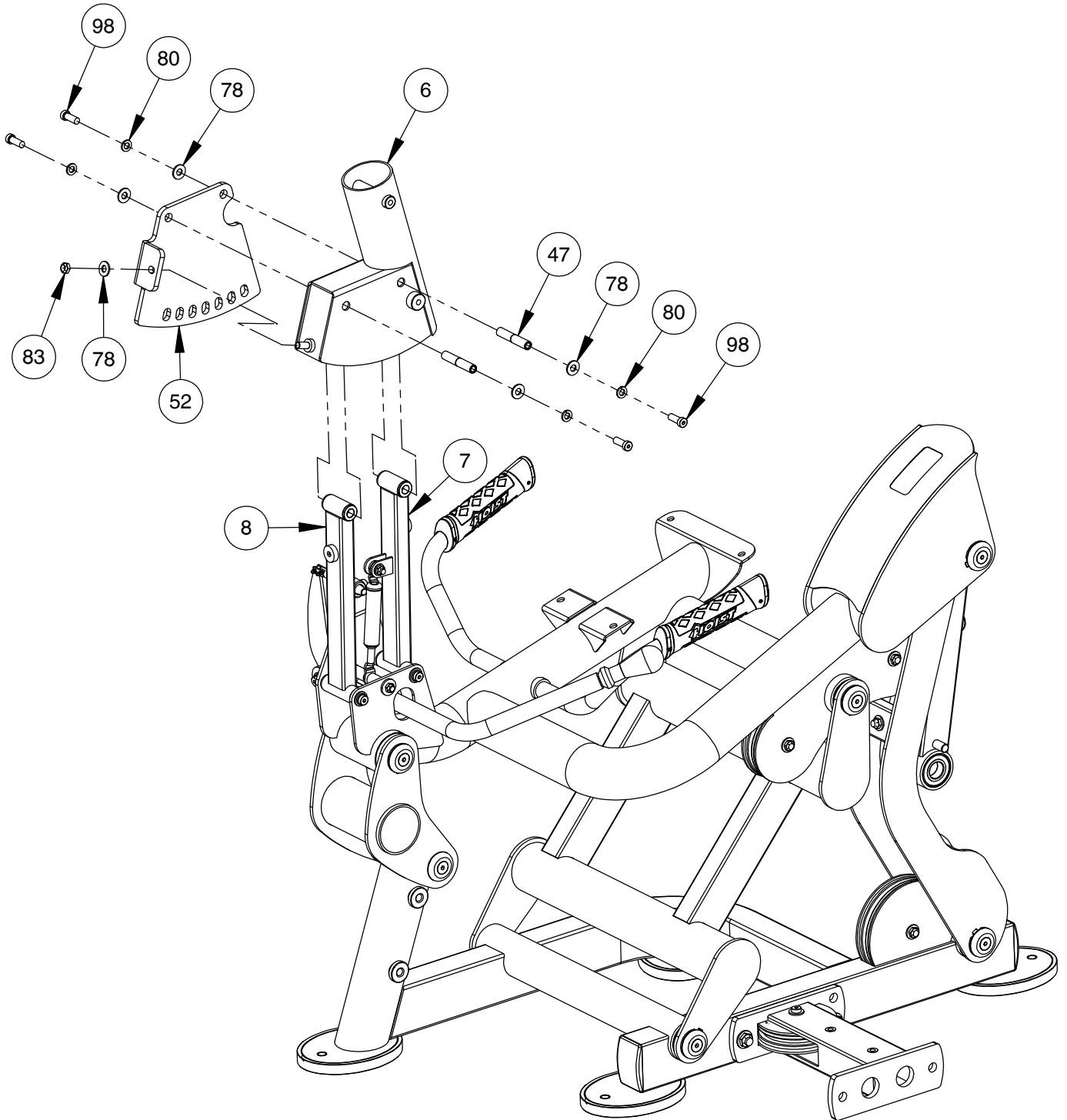
- WRENCH TIGHTEN HARDWARE (62) & (64) THEN LOOSEN NUT JUST ENOUGH FOR (27) TO PIVOT FREELY.
- HAND TIGHTEN ALL OTHER HARDWARE.
- SOME PARTS MAY HAVE BEEN REMOVED FOR CLARITY.



OWNER'S MANUAL

FRAME ASSEMBLY

NOTE:
- HAND TIGHTEN HARDWARE.
- SOME PARTS MAY HAVE BEEN
REMOVED FOR CLARITY.

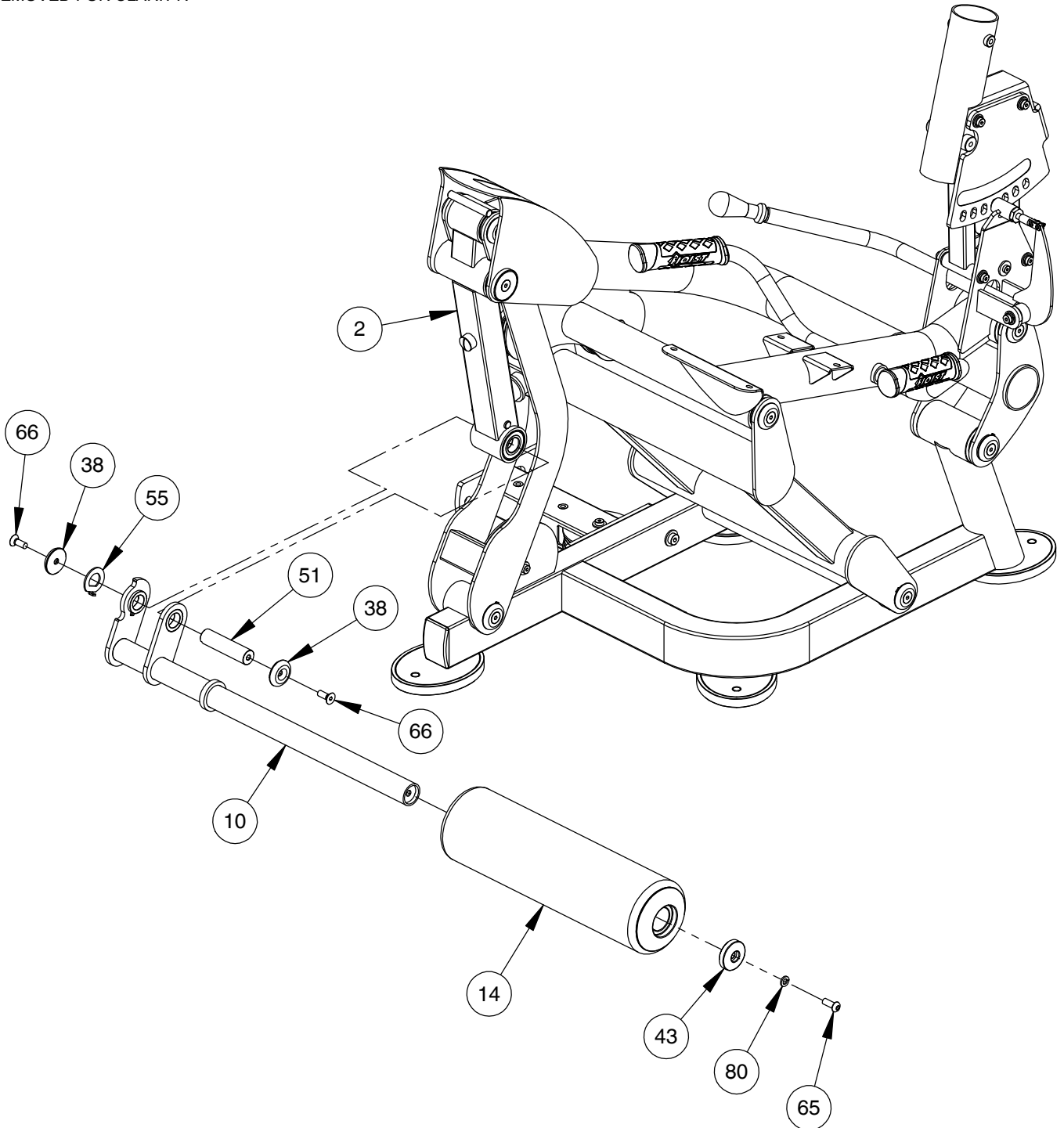


OWNER'S MANUAL

FRAME ASSEMBLY

NOTE:

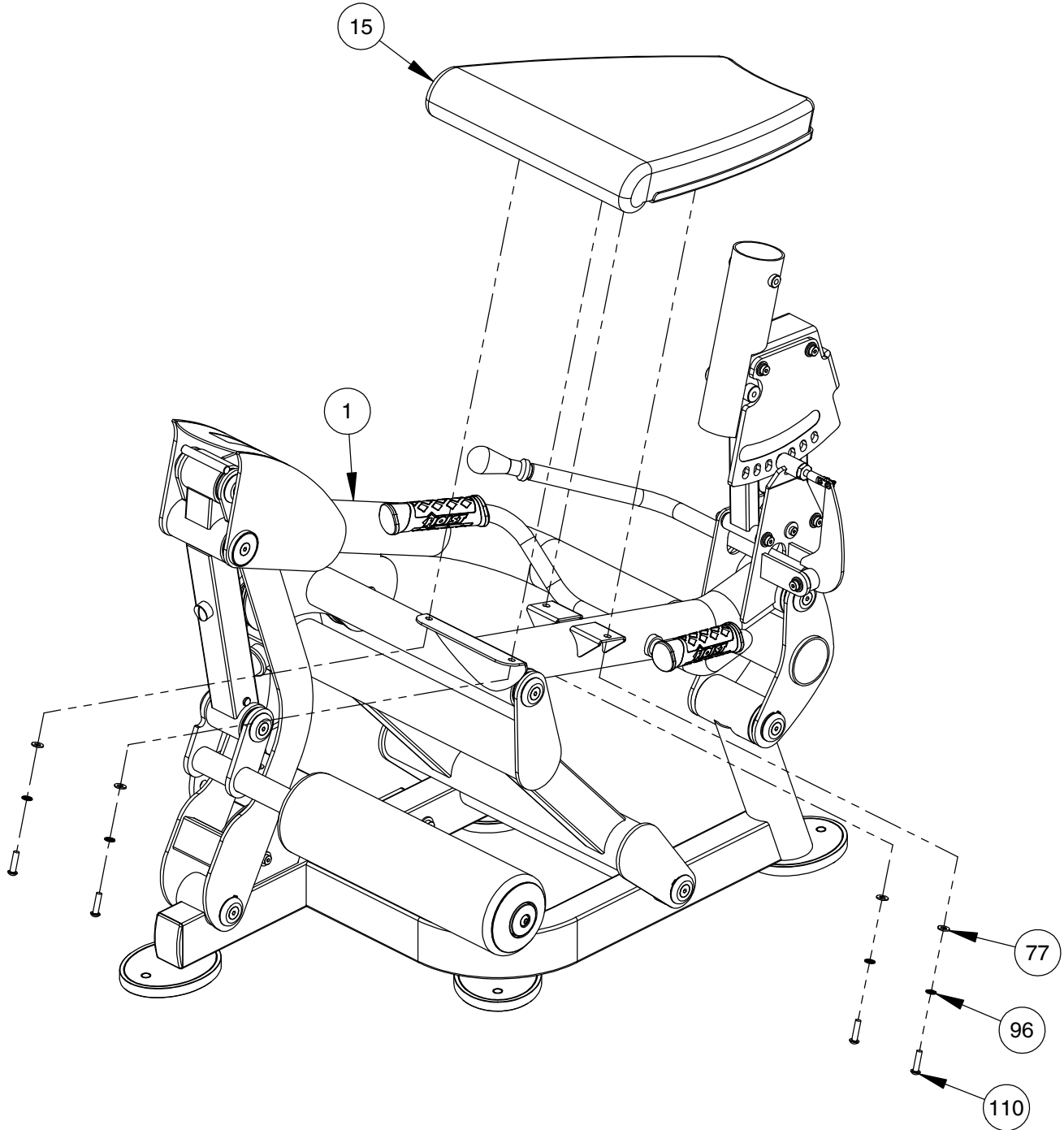
- WRENCH TIGHTEN HARDWARE (65).
- HAND TIGHTEN ALL OTHER HARDWARE.
- SOME PARTS MAY HAVE BEEN REMOVED FOR CLARITY.



OWNER'S MANUAL

FRAME ASSEMBLY

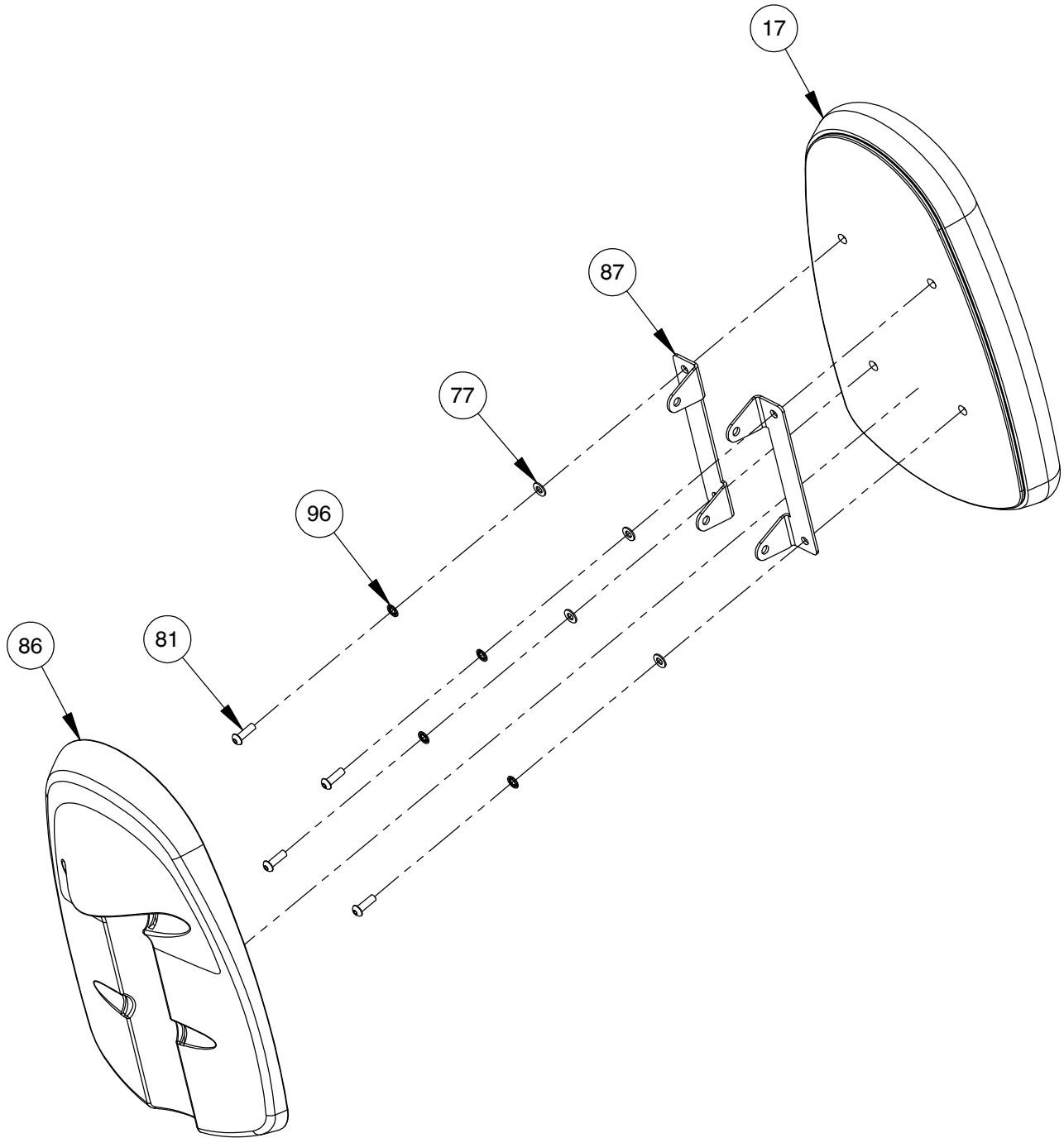
NOTE:
- WRENCH TIGHTEN HARDWARE.
- SOME PARTS MAY HAVE BEEN
REMOVED FOR CLARITY.



OWNER'S MANUAL

FRAME ASSEMBLY

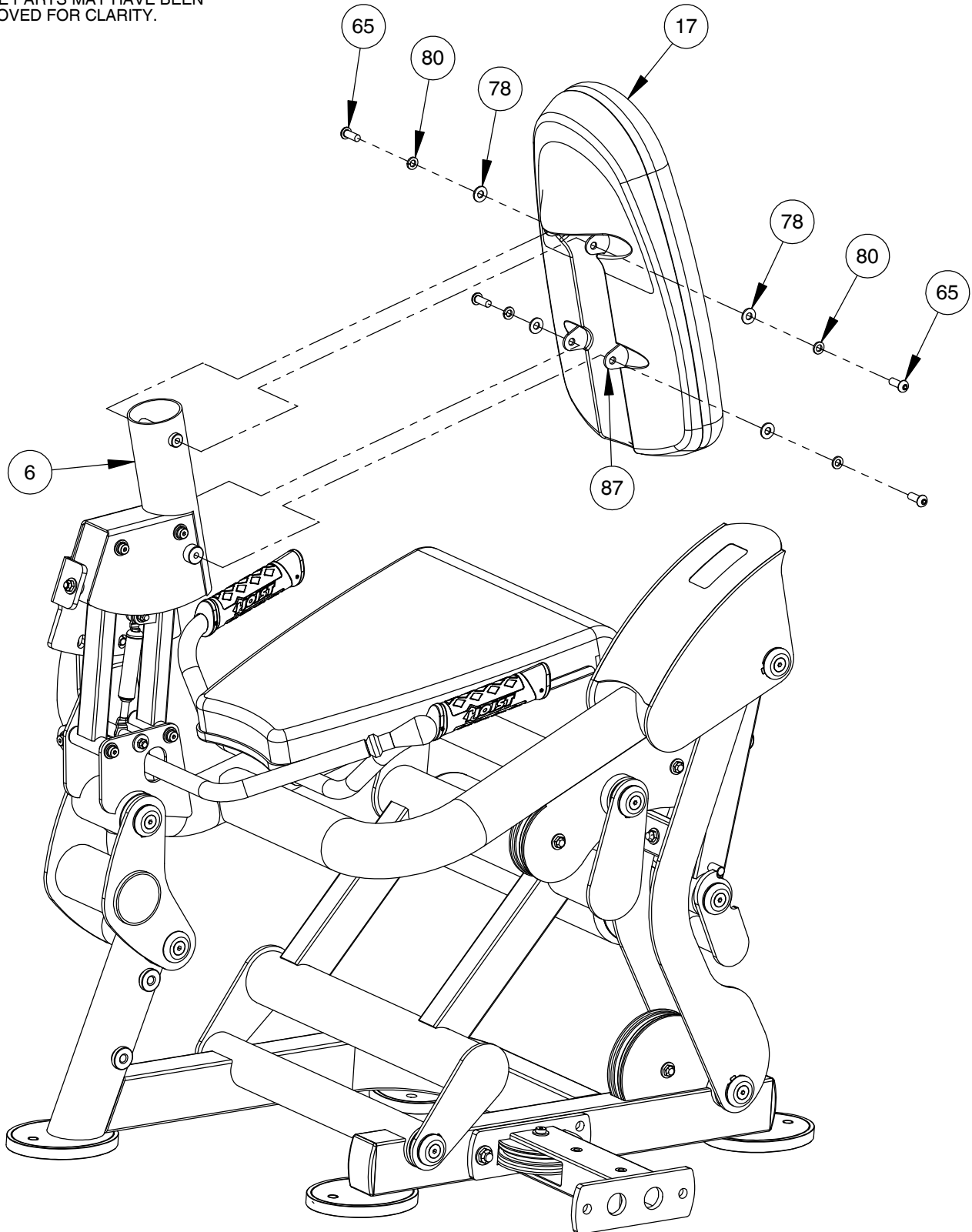
NOTE:
- WRENCH TIGHTEN HARDWARE.



OWNER'S MANUAL

FRAME ASSEMBLY

NOTE:
- WRENCH TIGHTEN HARDWARE.
- SOME PARTS MAY HAVE BEEN
REMOVED FOR CLARITY.



OWNER'S MANUAL

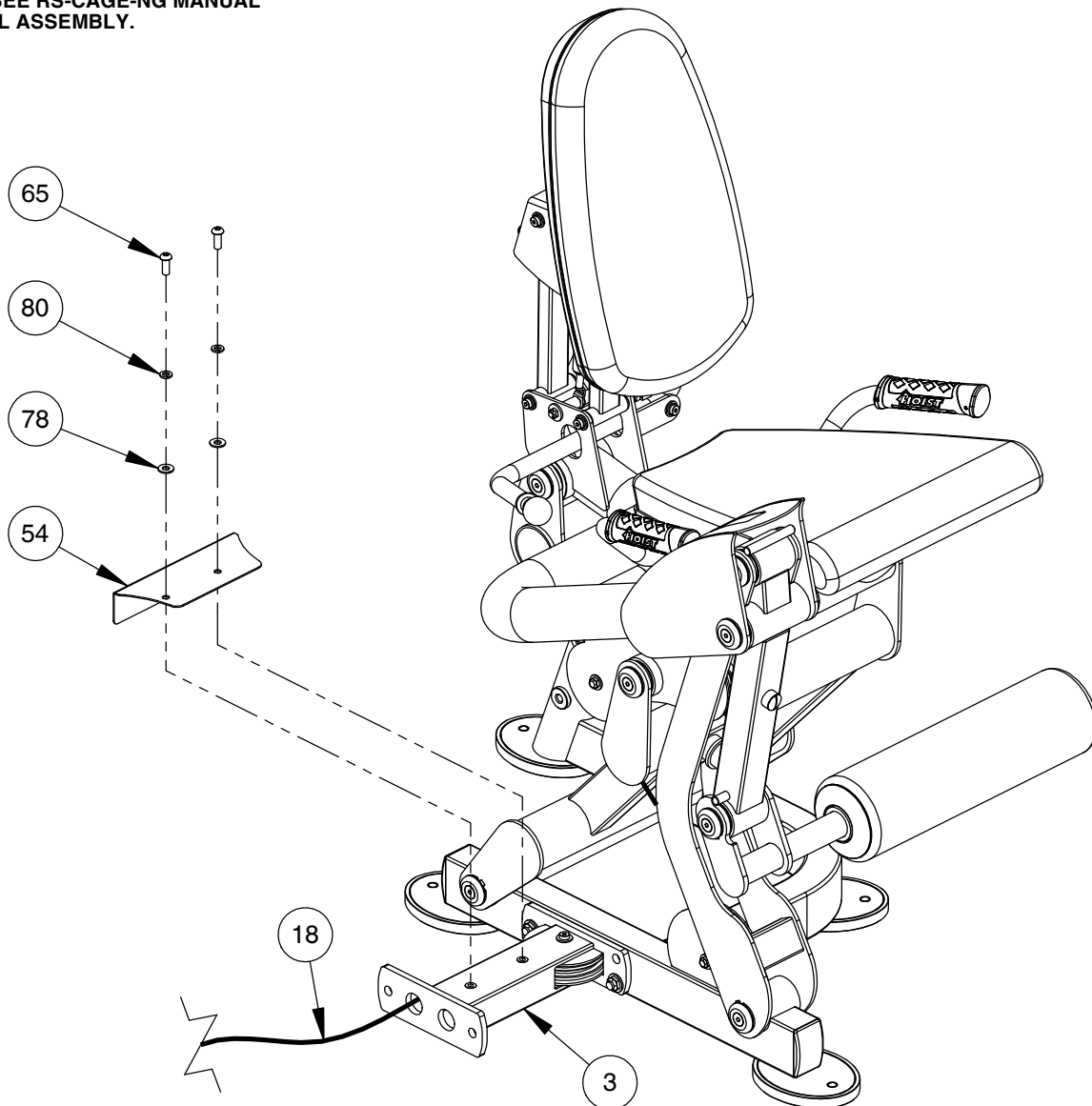
FRAME ASSEMBLY

NOTE:

- WRENCH TIGHTEN HARDWARE.
- WRENCH TIGHTEN ALL PREVIOUSLY HAND TIGHTENED HARDWARE.
- SOME PARTS MAY HAVE BEEN REMOVED FOR CLARITY.

STOP

WHEN FINISHED WITH THIS STEP
PLEASE SEE RS-CAGE-NG MANUAL
FOR FINAL ASSEMBLY.

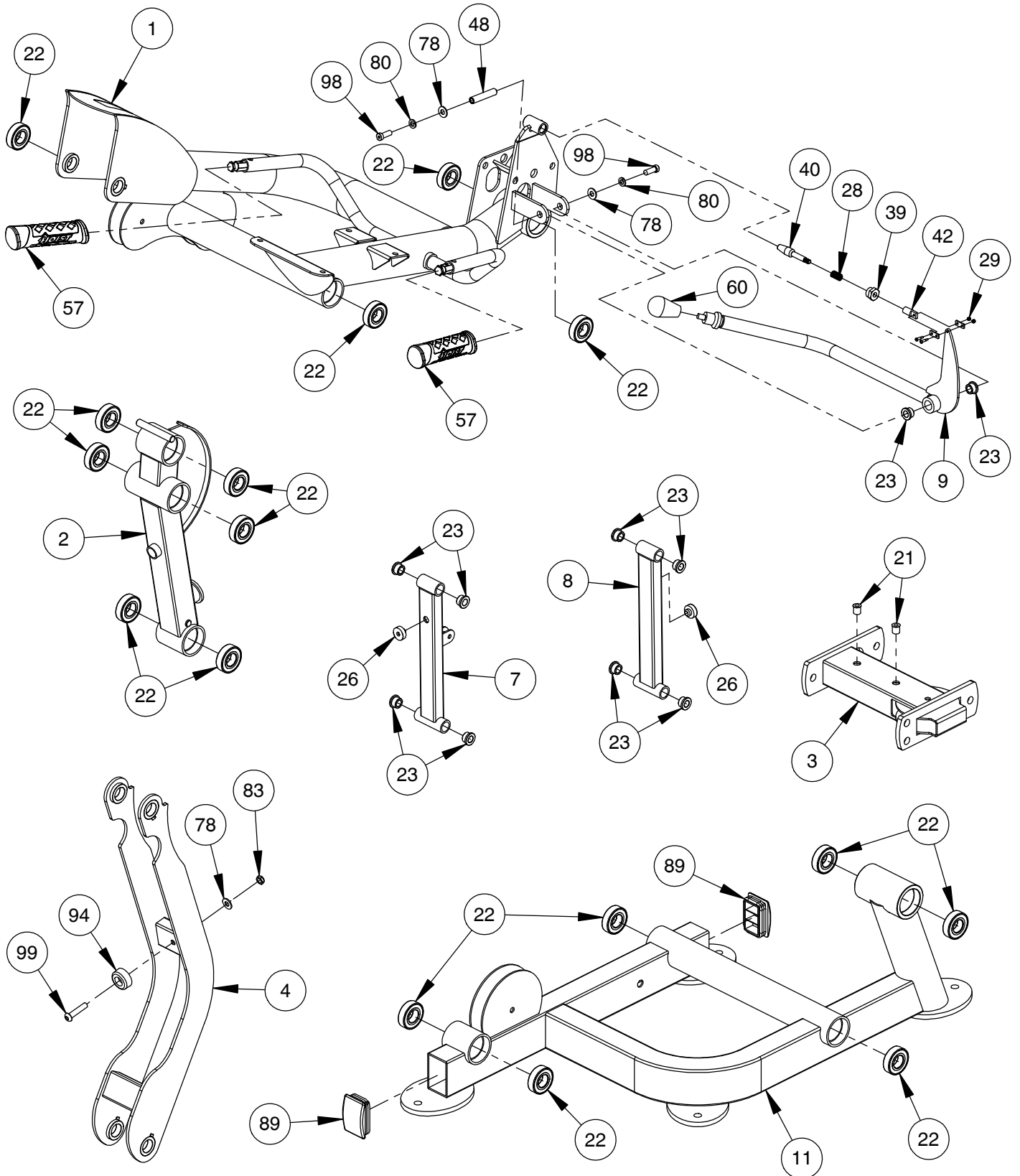


IMPORTANT

NOW THAT THE RS-2401 IS COMPLETELY ASSEMBLED TAKE TIME TO ASSURE THAT YOUR UNIT IS ASSEMBLED SQUARE AND PERPENDICULAR. IF NOT, IT WILL BE NECESSARY TO LOOSEN SOME FRAME HARDWARE TO RE-ALIGN THE FRAME AND RETIGHTEN BOLTS.

OWNER'S MANUAL

PRE-ASSEMBLY

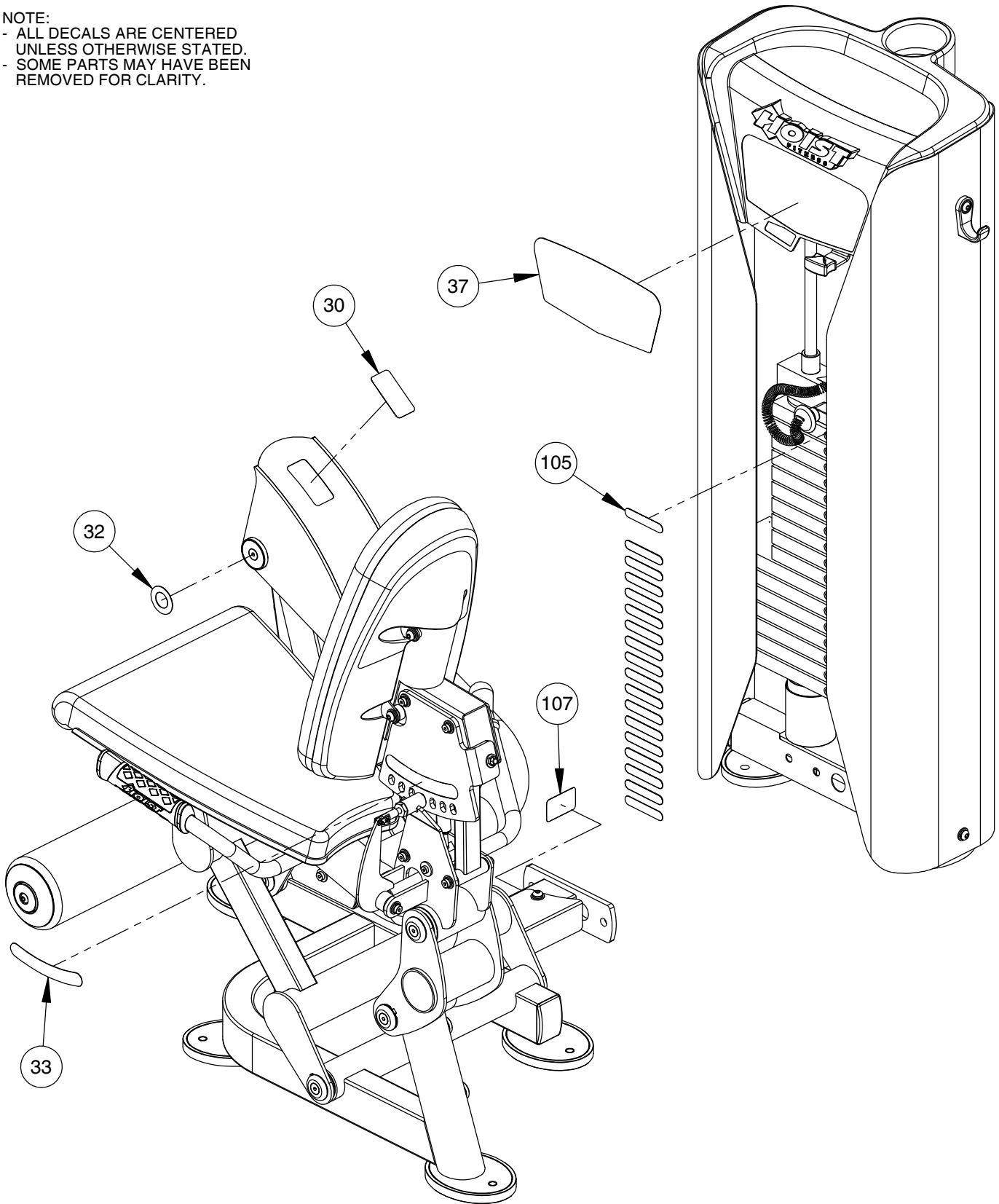


OWNER'S MANUAL

DECAL PLACEMENT

NOTE:

- ALL DECALS ARE CENTERED UNLESS OTHERWISE STATED.
- SOME PARTS MAY HAVE BEEN REMOVED FOR CLARITY.



OWNER'S MANUAL

DECAL REFERENCE



021-0013334

30 LBS / 14 KGS

110 LBS / 50 KGS

250 LBS / 113 KGS

40 LBS / 18 KGS

120 LBS / 54 KGS

270 LBS / 122 KGS

50 LBS / 23 KGS

130 LBS / 59 KGS

60 LBS / 27 KGS

150 LBS / 68 KGS

70 LBS / 32 KGS

170 LBS / 77 KGS

80 LBS / 36 KGS

190 LBS / 86 KGS

90 LBS / 41 KGS

210 LBS / 95 KGS

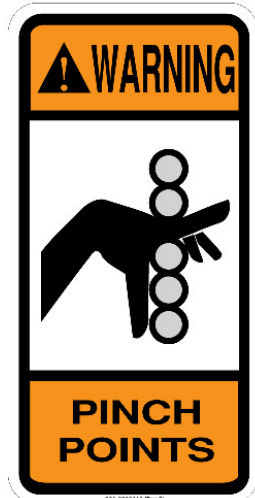
100 LBS / 45 KGS

230 LBS / 104 KGS

021-0004263



021-0003418



021-0003113

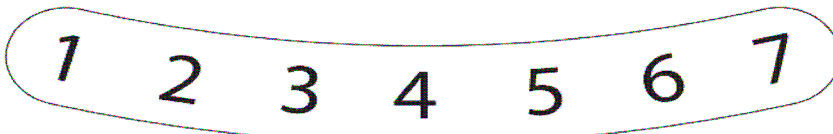


www.hoistfitness.com

Serial # 00-00-A00-000000



SERIAL # DECAL



021-0003421

OWNER'S MANUAL

THIS PAGE WAS INTENTIONALLY LEFT BLANK

OWNER'S MANUAL

PART LIST

NOTE: SOME OF THESE PARTS MAY COME PRE-INSTALLED

ITEM NO.	PART NUMBER	DESCRIPTION	QTY.
1	026-01X4134	MAIN FRAME ASSEMBLY	1
2	026-01X3813	ARM CAM ASSEMBLY	1
3	026-01X2487	CROSS MEMBER ASSEMBLY	1
4	026-01X4135	CONTROL LINK ASSEMBLY	1
5	026-01X4136	REAR LINK ASSEMBLY	1
6	026-01X6621	BACK SUPPORT ASSEMBLY	1
7	026-01X2500	BACK SUPPORT FRONT LINKAGE	1
8	026-01X2508	BACK SUPPORT REAR LINKAGE	1
9	026-01X4137	ARM ADJUSTER ASSEMBLY	1
10	026-01X4138	ROLLER BAR ASSEMBLY	1
11	026-01X4139	BASE FRAME ASSEMBLY	1
12	026-01X4140	FRONT PIVOT ASSEMBLY	1
13	026-01X4141	CROSS BAR ASSEMBLY	1
14	022-01PD2119	PAD, LONG ROLLER	1
15	022-01PD2049-A	SEAT PAD ASSEMBLY	1
17	022-01PD2114-A-M	BACK PAD ASSEMBLY	1
18	010-01C0460	CABLE ASSEMBLY RS-2401 143 13/16" LG.	1
21	014-0014002	3/8-16 FLUSH MOUNT INSERT	2
22	014-0012014	BEARING: FLANGELESS - 25mm I.D.	16
23	014-0101002	BUSHING: OILITE FLANGED Ø.75" O.D X Ø.50" I.D X .38" LG.	10
25	018-0001003	CABLE PULLEY: Ø4.50"	3
26	019-0001001	PLUG BUMPER	2
27	020-0006003	GAS SHOCK	1
28	020-0011009	SPRING	1
29	026-01X5630	CHAIN LINK REPLACEMENT	1
30	021-0003113	DECAL PINCH POINT 1.63" X 3.25" (VERTICAL)	1
32	021-0003418	DECAL PIVOT POINT (ROUND)	1
33	021-0003421	DECAL ROM 1-7	1
37	021-0013334	RS-2401 PLACARD	1
38	026-01M3605	RETAINING CAP	15
39	026-01M0128-1	PULL PIN CAP	1
40	026-01M3877	TAPERED PULL-PIN PLUNGER	1
41	026-01M0199	QUICK RELEASE CABLE LOCK Ø 1/4"	1

OWNER'S MANUAL

PART LIST CONTINUED

NOTE: SOME OF THESE PARTS MAY COME PRE-INSTALLED

ITEM NO.	PART NUMBER	DESCRIPTION	QTY.
42	026-01M0209	PULL-PIN TO CHAIN LINK	1
43	026-01M3125	CAP, AL ROLLER PAD	1
44	026-01M3872	PIVOT SHAFT	3
45	026-01M3606	FLATHEAD CAP ϕ 2.00" ALUM. (WITH RECESS)	1
46	026-01M3878	PIVOT SHAFT: 0.5" O.D. X 3.4" LG.	2
47	026-01M3879	PIVOT SHAFT: 0.5" O.D. X 2.7" LONG	2
48	026-01M3880	PIVOT SHAFT: 0.5" O.D. X 2.5" LONG	1
49	026-01M3881	SHAFT ϕ .984" X 19.72 LG.	2
50	026-01M0971	HEAVY FLANGED SPACER: ϕ .67" O.D. X ϕ .34" I.D. X 1.56" LG.	2
51	026-01M3882	SHAFT ϕ .984" X 3.84 LG.	3
52	026-01P4568	ROM PLATE	1
53	026-01P2653	'H' PLATE	1
54	026-01P2719	CABLE SHIELD	1
55	026-01P7210	ROTATION LOCK	8
57	026-01X7351	HOIST ERGO GRIP-01	2
58	026-01PL2122	OVAL-SHAPED RUBBER FOOT	4
59	026-01PL2140	BLACK NYLON THREADED CAP	1
60	020-0007004	KNOB - OVAL	1
62	011-0116186	5/16"-18UNC X 4.00" LOW HEAD SHCS (Ni)	1
64	011-0116175	5/16"-18UNC X 1.25" LOW HEAD SHCS (Ni)	1
65	011-0701020	3/8"-16UNC X 1.00" BHCS (Ni)	7
66	011-0702020	3/8"-16UNC X 1.00" FHCS (Ni) W/NYLON PATCH	16
67	011-0116145	3/8"-16UNC X 1.75" LOW HEAD SHCS (Ni)	3
68	011-0116148	3/8"-16UNC X 2.50" LOW HEAD SHCS (Ni)	1
69	011-0701049	1/2"-13UNC X 1.50" BHCS (Ni)	4
73	011-0116115	1/2"-13UNC X 3.00" LOW HEAD SHCS (Ni)	2
74	011-0116116	1/2"-13UNC X 3.25" LOW HEAD SHCS (Ni)	2
77	013-1002010	5/16" SAE FLAT WASHER (Ni)	10
78	013-1002007	3/8" X 22mm FLAT WASHER (Ni)	26
79	013-1002006	1/2" X 27mm SAE FLAT WASHER (Ni)	14
80	013-1006003	3/8" SPLIT LOCK WASHER (Ni)	17
81	011-0701003	5/16"-18UNC X 1.00" BHCS (Ni)	4
82	012-0504006	5/16"-18UNC THIN NYLOCK NUT (Ni)	2

OWNER'S MANUAL

PART LIST CONTINUED

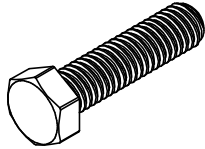
NOTE: SOME OF THESE PARTS MAY COME PRE-INSTALLED

ITEM NO.	PART NUMBER	DESCRIPTION	QTY.
83	012-0504005	3/8"-16 UNC THIN NYLOCK NUT (Ni)	6
84	012-0504002	1/2"-13 UNC THIN NYLOCK NUT (Ni)	6
85	RS-CAGE-NG	RS WEIGHT CAGE NG	1
86	026-01PL2511	BACK PAD PLASTIC BACKING	1
87	026-01P2929	BACK BRACKET MOUNT	2
88	013-1006004	1/2" SPLIT LOCK WASHER (Ni)	2
89	016-0201034	END CAP-R 2.00" X 3.00" (BLACK)	2
93	018-0002017	PULLEY 6.00" OD	1
94	019-0001003	BUMPER ϕ 1.50" X .625" T	1
96	013-1010003	5/16" INTERNAL LOCK WASHER (Ni)	8
98	011-0116142	3/8"-16UNC X 1.00" LOW HEAD SHCS (Ni)	10
99	011-0701023	3/8"-16UNC X 1.75" BHCS (Ni)	1
103	026-01PL2346	WEIGHT STAND OFF	2
105	021-0004263	RS WEIGHT STACK DECAL - 270LBS	1
107	SERIAL # DECAL	DECAL HOIST SERIAL # 1.63" X 2.63"	1
110	011-0701004	5/16"-18UNC X 1.25" BHCS (Ni)	4
111	WT-STK #25	30LB TOP WEIGHT ASSEMBLY W/ 10 - 10LB PLATES & 7 - 20LB PLATES	1

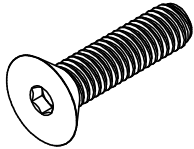
OWNER'S MANUAL

ABBREVIATIONS

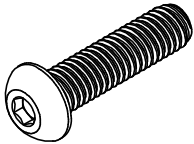
BZ = Black Zinc
Ni = Nickel Plated
SS = Stainless Steel
WZ = White Zinc



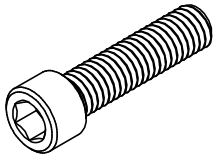
HHB = Hex Head Bolt



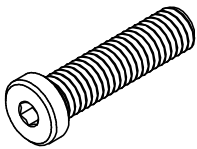
FHCS = Flat Head Cap Screw



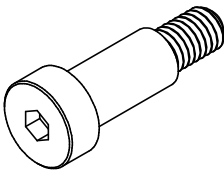
BHCS = Button Head Cap Screw



SHCS = Socket Head Cap Screw



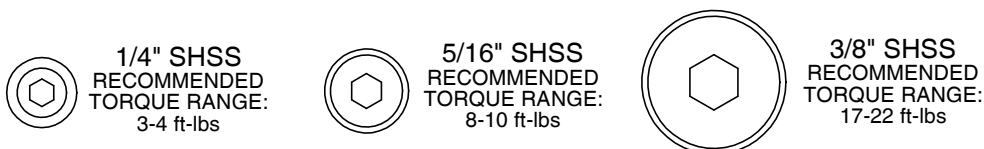
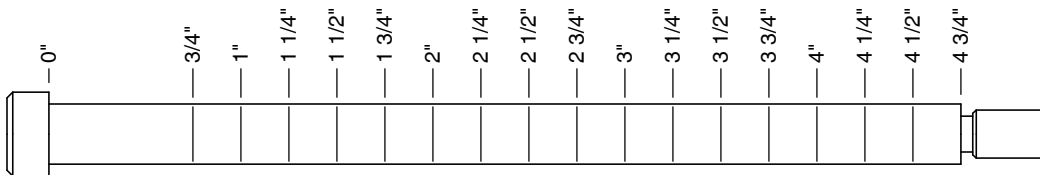
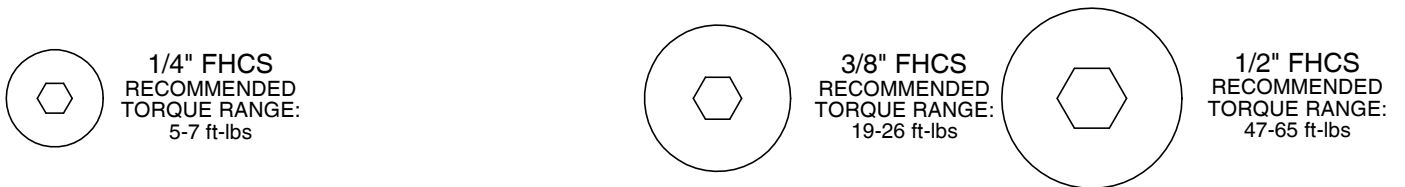
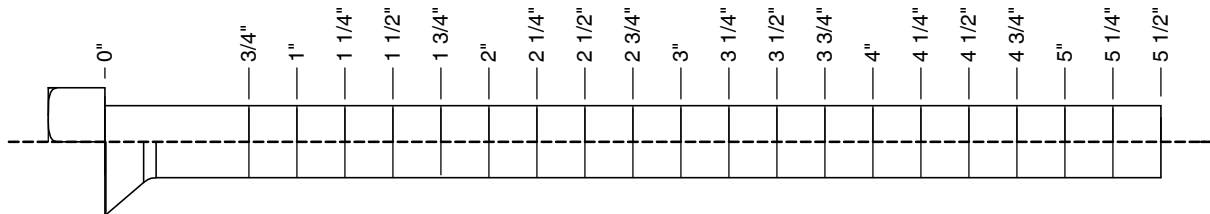
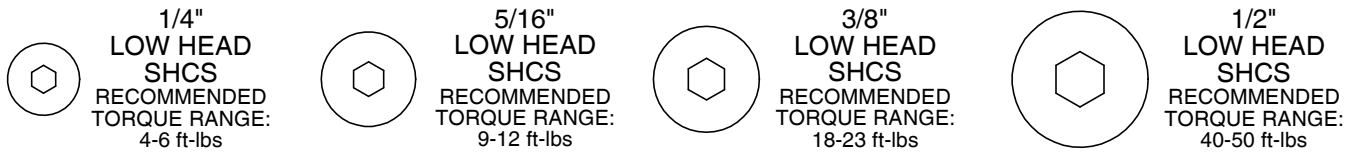
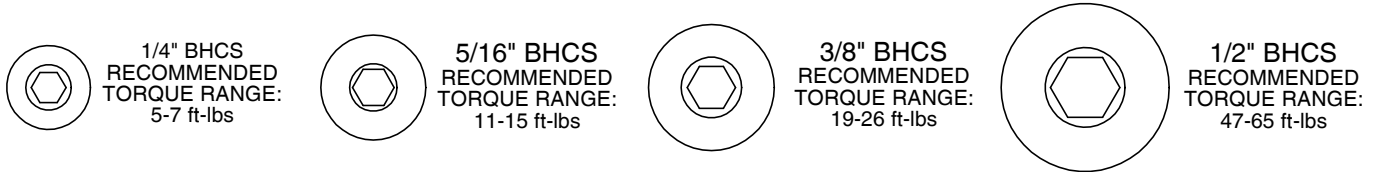
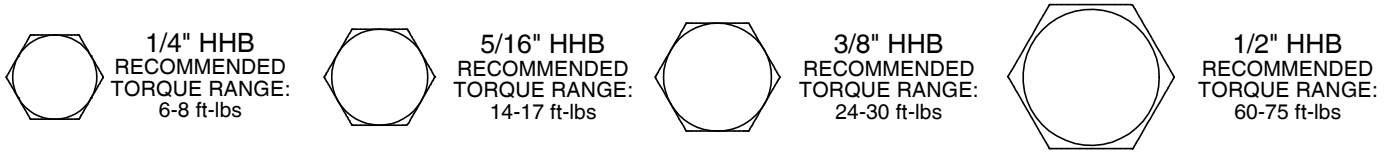
Low Head SHCS = Low Head Socket
Head Cap Screw



SHSS = Socket Head Shoulder Screw

OWNER'S MANUAL

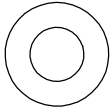
BOLT SIZING CHART



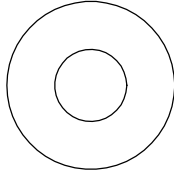
OWNER'S MANUAL

WASHER SIZING CHART

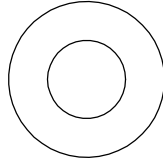
013-0002003
1/4"
FLAT WASHER
SMALL, SAE, 13mm



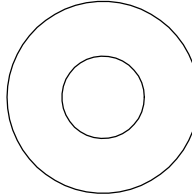
013-0102004
5/16"
FLAT WASHER
LARGE, USS, 22mm



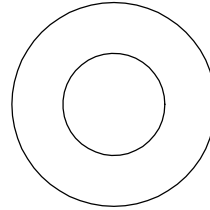
013-0002004
3/8"
FLAT WASHER
SMALL, SAE, 21mm



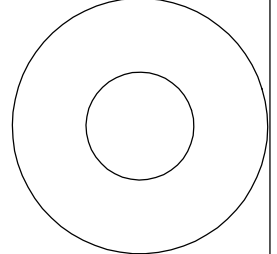
013-0402005
3/8"
FLAT WASHER
LARGE, USS, 25mm



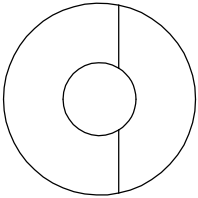
013-0102003
1/2"
FLAT WASHER
SMALL, SAE, 27mm



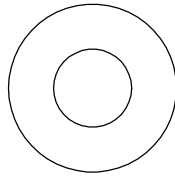
013-0102026
1/2"
FLAT WASHER
LARGE, USS, 34mm



013-0102028
3/8"
CURVED WASHER



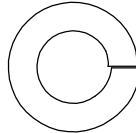
013-0402007
3/8"
FLAT WASHER
22mm O.D.



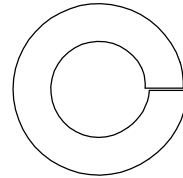
013-0102019
1/4"
LOCK WASHER



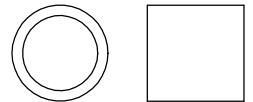
013-0102020
3/8"
LOCK WASHER



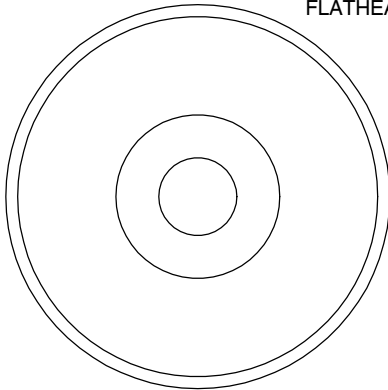
013-0102018
1/2"
LOCK WASHER



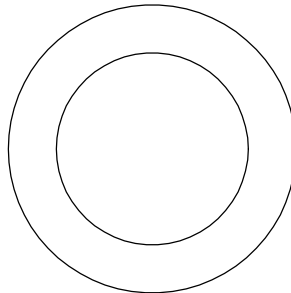
014-0018001
1/2" LONG
SPACER



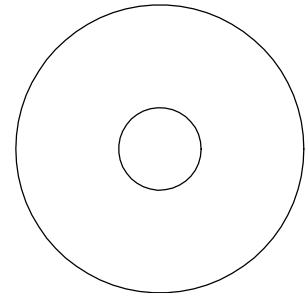
026-01M0238
2" ALUMINUM
FLATHEAD CAP



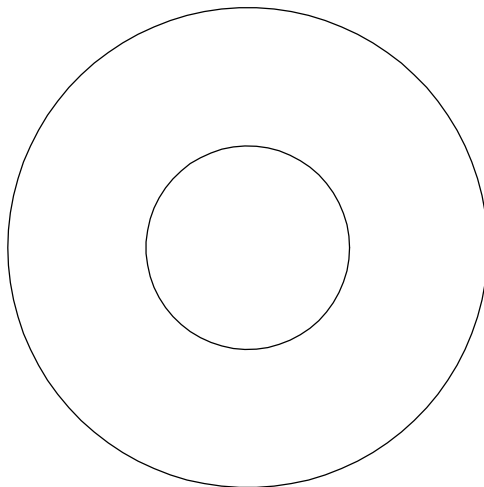
016-0009003
1" SHIM WASHER



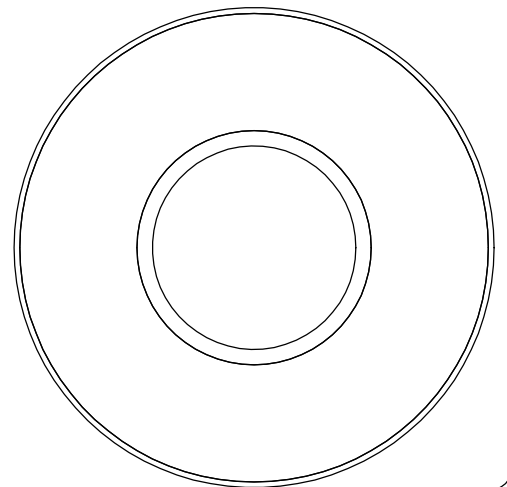
013-0003002
3/8" FENDER WASHER



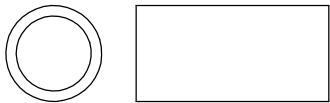
013-0003004
1 1/16"
FENDER WASHER



026-01PL151
PLASTIC 1 1/16"
FENDER WASHER



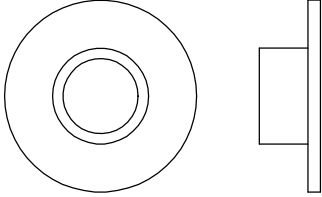
014-0018002
1" LONG
SPACER



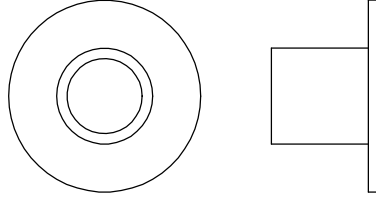
OWNER'S MANUAL

WASHER SIZING CHART (CONTINUED)

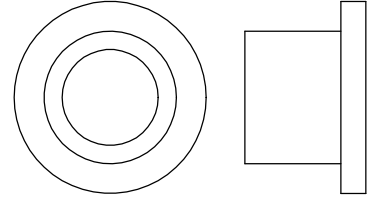
026-01M0211
1/4" LONG
FLANGED SPACER



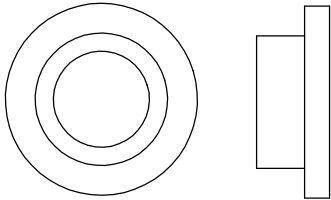
026-01M0198
1/2" LONG
FLANGED SPACER



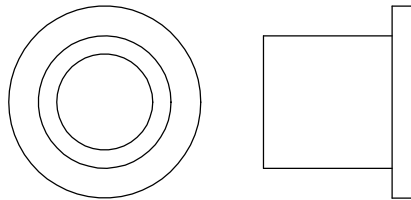
026-01M0760
1/2" LONG HEAVY
FLANGED SPACER



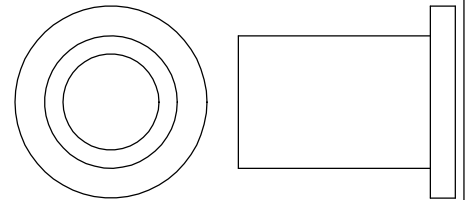
026-01M211T
1/4" LONG HEAVY
FLANGED SPACER



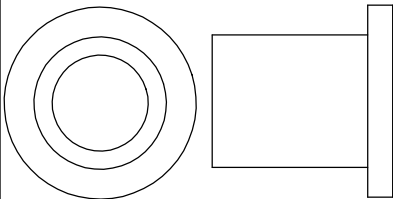
026-01M0532
11/16" LONG HEAVY
FLANGED SPACER



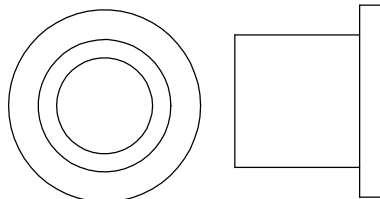
026-01M0551
1" LONG HEAVY
FLANGED SPACER



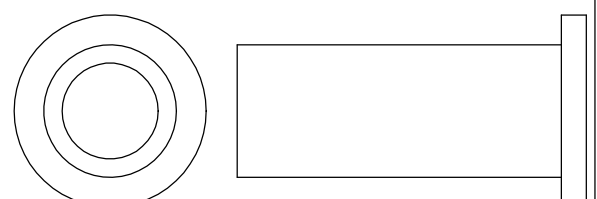
026-01M0788
.81" LONG HEAVY
FLANGED SPACER



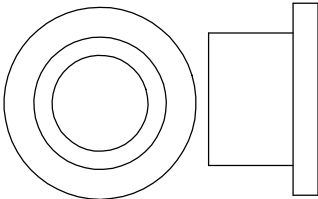
026-01M0780
.65" LONG HEAVY
FLANGED SPACER



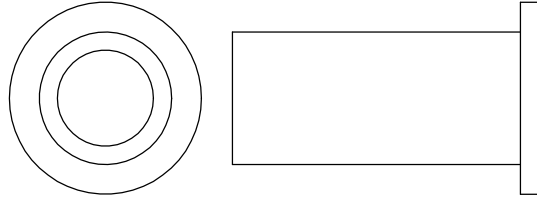
026-01M0761
1 11/16" LONG HEAVY
FLANGED SPACER



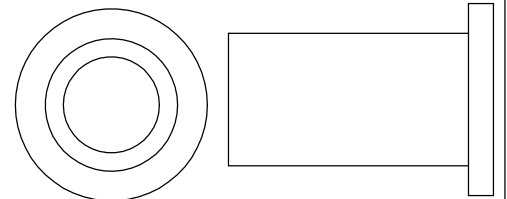
026-01M0789
.44" LONG HEAVY
FLANGED SPACER



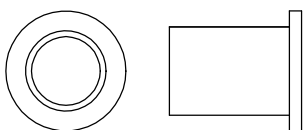
026-01M0762
1 1/2" LONG HEAVY
FLANGED SPACER



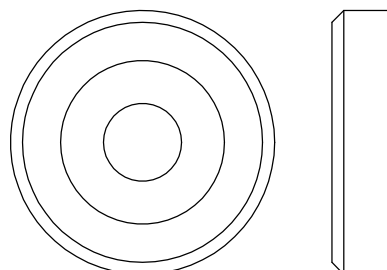
026-01M0768
1 1/4" LONG HEAVY
FLANGED SPACER



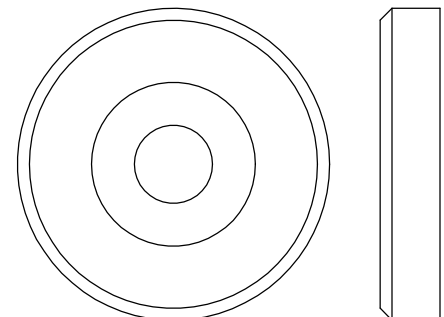
026-01M0600
.625" LONG
FLANGED SPACER



026-01M0240
1 3/8" ALUMINUM
FLATHEAD CAP



026-01M0239
1 5/8" ALUMINUM
FLATHEAD CAP



OWNER'S MANUAL

MAINTENANCE SCHEDULE

ROUTINE	COMMERCIAL / LIGHT COMMERCIAL MAINTENANCE	HOME MAINTENANCE	LATEST DATE ENTRY																	
Inspect; Links, Pull Pins, Snap Locks, Swivels, Weight Stack Pins	DAILY	WEEKLY																		
Clean; Upholstery	DAILY	WEEKLY																		
Inspect; Cables or Belts and their tension	DAILY	WEEKLY																		
Inspect; Accessory Bars, and Handles	WEEKLY	3 MONTHS																		
Inspect; All Decals	WEEKLY	3 MONTHS																		
Inspect; All Nuts and Bolts, Tighten if needed	WEEKLY	3 MONTHS																		
Inspect; Anti-Skid Surface	WEEKLY	3 MONTHS																		
Clean & Lubricate; Guide Rods with a Teflon (PTFE) based lubricant (Superlube)	MONTHLY	3 MONTHS																		
Lubricate; Seat Sleeves, Turcite Bushings, Linear Bearing	MONTHLY	3 MONTHS																		
Clean and Wax; All Glossy Finishes	6 MONTHS	YEARLY																		
Repack with Grease; Linear Bearings	6 MONTHS	YEARLY																		
Replace; Cables, Belts and Connecting Parts	YEARLY	3 YEARS																		

*Your equipment comes with a commercial maintenance decal.
For personal, in home use, please follow the home maintenance schedule listed above.*

Never use ammonia, acid-based, or petroleum-based solvents on any portion of the machine as it may damage the finish.

OWNER'S MANUAL

HOIST FITNESS SYSTEMS **GENERAL MAINTENANCE INFORMATION**

Links, Pull-Pins, Snap Hooks, Swivels, Weight Stack Pins:

- *Check all pieces for signs of visible wear or damage.
- *Check springs in snap hooks and pull-pins for proper tension and alignment.
- *If the spring sticks or has lost its rigidity, replace it immediately.

Upholstery:

- *To ensure prolonged upholstery life and proper hygiene, all upholstered pads should be wiped down with a damp cloth after every workout.
- *Periodically take the time to use a mild soap or an approved vinyl upholstery cleaner to deter the onset of cracking or drying. Avoid using any abrasive cleaners or cleaners not intended for use on vinyl.
- *Replace ripped or worn upholstery immediately.
- *Keep sharp or pointed objects clear of all upholstery.

Decals:

- *Inspect and familiarize yourself with any safety warnings or other user information posted on each decal.

Nuts and Bolts:

- *Inspect all nuts and bolts for any loosening and tighten if needed.
- *Go through a re-tightening sequence periodically to ensure that all hardware is tensioned properly.

Anti-Skid Surfaces:

- *These surfaces are designed to supply secure footing and need to be replaced if they appear worn or become slippery.

Belts and Cables:

- *Hoist uses only high quality belt, and mil-spec cables.
- *Visually inspect the belts and cables for fraying, cracking, peeling or discoloration.
- *While the machine is not in use, carefully run your fingers along the belt or cable to feel for thinning or bulging areas.
- *Replace belts and cables immediately at the first signs of damage or wear. Do not use equipment until belts or cables have been replaced.

Belt and Cable Tension:

- *Referring to the Owners Manual, when belts or cables are used check all bolts attachments to be sure they are properly attached.
- *Check slack in cables and re-adjust cable tension if needed.

Seat Sleeves, Guide Rods:

- *Wipe down adjusting tubes with a dust free rag before applying lubricant.
- *Lubricate seat sleeves and Guide Rods with a Silicon or Teflon based lubricant spray.

Linear Bearings:

- *Referring to the Owners Manual carefully disassemble the bearing from its housing and place a finger full of light grease (lithium, super lube, etc.) into the inside of the bearing. Using your finger, press the grease into the ball-bearings and their tracks. repeat until the ball-bearing tracks are full of grease. Insert the shaft back into the bearing and wipe off excess grease.

PLEASE KEEP THIS FOR YOUR RECORDS

OWNER'S MANUAL

WEIGHT TRAINING TIPS

In order to gain maximum results from your RS-2401 and to avoid possible injury, always consult your physician before starting any exercise program and consult a fitness professional to develop your complete exercise program.

To be successful in your exercise program, it is important to develop an understanding of the basic principles of strength training. Now that you have your RS-2401, it is only natural that you want to get started immediately. First, determine a set of realistic goals and objectives for yourself. By deciding on an exercise plan that is right for you prior to starting, you will contribute significantly to your success.

Warm up properly before engaging in weight resistance training. Stretching, yoga, jogging, calisthenics or other cardiovascular exercise can help prepare your body for the heavier workload of lifting weights.

Learn how to perform the exercise correctly before using heavy weight. Correct form is important to avoid injury and to ensure that you work the proper muscle groups.

Know your limitations. If you are new to weight training or are embarking on an exercise regimen after a long layoff, start slowly and build foundational strength over a longer period of time.

Pay attention to your breathing. Exhale when you exert is a general rule of thumb. Never hold your breath.

Enjoy your RS-2401!

OWNER'S MANUAL

HOIST FITNESS SYSTEMS LIMITED LIFETIME WARRANTY

Hoist Fitness Systems warrants this product to the **original purchaser** to be free from defects in workmanship and/or materials under normal use or service. If at any time a component part is defective, Hoist Fitness Systems shall repair or replace it (at Hoist Fitness Systems option) within a reasonable period of time. This warranty does not cover costs of removal, transportation or reinstallation. This warranty shall not apply if the defect was caused by misuse, neglect or normal wear and tear.

WARRANTY CLAIMS. All claims require: Model number, Serial number, Date of installation, and any information supporting the existence of the alleged defect.

To complete Warranty Registration visit:
www.HOISTFITNESS.com
and click on the Warranty Registration link

Starting from the original date of purchase, this warranty covers the following:

COMMERCIAL USE: All malfunctions of upholstery, grips, and coatings that occur up to one year; all malfunctions of belts or cables up to one year; all malfunctions of pulleys, bearings, or bushings that occur up to three years. The frame and body components are warranted for ten years, with structural moving parts warranted for five years.

LIGHT COMMERCIAL USE: All malfunctions of upholstery, grips, and coatings that occur up to one year; all malfunctions of belts or cables up to one year; all malfunctions of pulleys, bearings, or bushings that occur up to three years. The frame and body components are warranted for ten years, with structural moving parts warranted for five years.

HOME USE: All malfunctions of grips, paint, and chrome that occur up to ten years; all malfunctions of electronic components, belts, cables, or upholstery that occur up to ten years; all malfunctions of pulleys, bearings, or bushings that occur up to ten years. The frame and all welded components are warranted for the life of the product.

PLEASE NOTE THAT NOT ALL HOIST PRODUCTS ARE MADE FOR COMMERCIAL USE. Refer to the instructions page of your owner's manual or consult with your fitness product dealer to establish if a product is made for commercial use or not. Using a non-commercial product in a commercial setting can result in serious injury or death! Hoist Fitness Systems sole responsibility shall be to repair or replace the component within the terms stated above. Hoist Fitness Systems shall not be liable for any loss or damage of any kind including any incidental or consequential damages resulting, directly or indirectly from any warranty expressed or implied or any other failure of this product.

LIGHT COMMERCIAL USE: Our Light Commercial warranty applies to facilities that **DO NOT** charge monthly membership dues and where the equipment would be used by **no more than 50** people per day. Examples of Light Commercial facilities include hotels, apartment complexes, personal training studios, fire stations, police stations, etc., that meet the criteria stated above.

WHAT IS NOT COVERED BY THIS WARRANTY: Hoist's sole obligation under this warranty is limited to either repair or replacement of parts, subject to the additions below. This warranty neither assumes nor authorizes any person to assume obligations other than expressly covered by this warranty.

NO CONSEQUENTIAL DAMAGES: Hoist is not responsible for economic loss; profit loss; or special, indirect, or consequential damages.

WARRANTY IS NOT TRANSFERABLE: This warranty is not assignable and applies only in favor of the original purchaser/user to whom delivered. Any such assignment or transfer shall void the warranties herein made and shall void all warranties, expressed, implied or statutory, except the one (1) and five (5) year warranties described above. These warranties are exclusive and in lieu of all other warranties, including implied warranty and merchantability or fitness for a particular purpose. There are no warranties which extend beyond the description on the face hereof.

TRANSPORTATION COSTS: Hoist will accept parts covered under this warranty freight collect, provided that shipment has received prior approval. Hoist is not responsible for any other transportation costs but will ship freight collect parts either repaired or replaced under these warranties.

Hoist Fitness Systems
11900 Community Rd.
Poway, CA. 92064
(800)548-5438

PLEASE KEEP THIS FOR YOUR RECORDS