



modus
OMAN DRILLING SYSTEMS



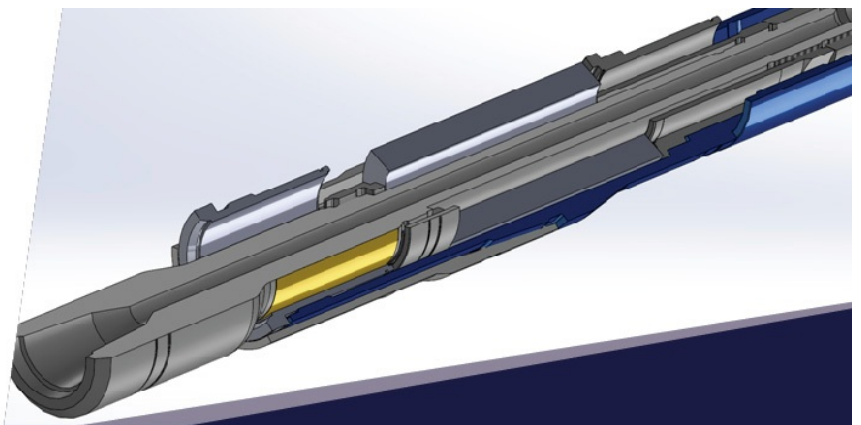
hydromac power

HYDROMAC POWER



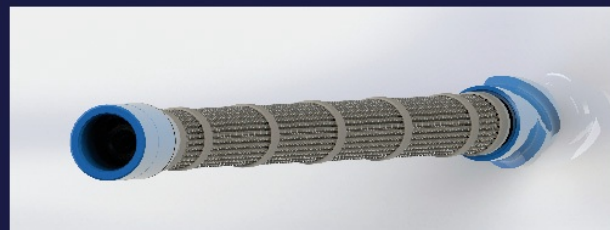
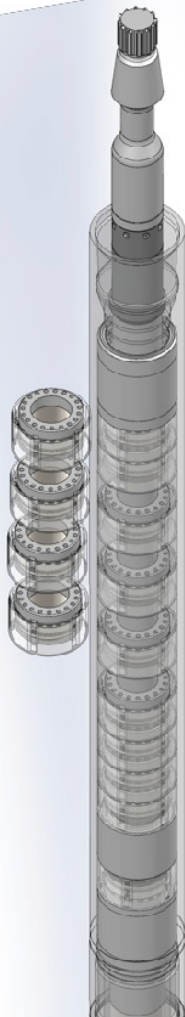
Oman Drilling Systems has a wealth of experience in engineering and drilling technology. Hydromac Power tools provides leading performance drilling solutions for oil and gas applications. We provide a high quality products and service that exceed expectations

Our products include Mud Motors, Drilling Turbines, Shock tools, Drilling Jars and Reamers



DRILLING MOTORS

- Sealed oil lubricated bearing assembly
- Mud lubricated Bearing Assembly
- Can accommodate the use of screw on stabilizers, or kick pads
- Standard Adjustable config. allows to adjust the bend setting on site from 0 – 3 degrees in 13 increments
- Offer either conventional hard band kick pads or TCI inserts with a gradual dome to help with steering, hole cleaning and eccentric wear
- Offer fixed bend housing configurations with shorten bit to bend.
- Can provide with helical hard banding to help enhance getting cuttings to surface,
- Float bore available to eliminate the need for a specific float sub
- Rotor catch available (allows flow through when engaged)
- Flex Subs for med. to high deviation



DRILLING TURBINES

- Mud lubricated Bearing Assembly comprising of thrust and radial bearings
- Pin and box configurations are both readily available
- Standard Adjustable config. allows to adjust the bend setting on site from 0 – 3 degrees in 13 increments
- Offer either conventional hard band kick pads or TCI inserts with a gradual dome to help with steering, hole cleaning and eccentric wear
- Offer fixed bend housing configurations with shortened bit to bend
- Downhole clutch to transmit the top drive torque when required
- High temperature configurations
- Improved and optimized turbine blade design

