



Intellect NMES
Report
Aug 28 - 2017
MjFaunce@gmail.com

WaveForm Generation Details
 Min Pulse Width 20microseconds
 Max Pulse Width 300microseconds

Frequency: Min 20 hz and Max 120hz

Max Voltage Amplitude 80 volts

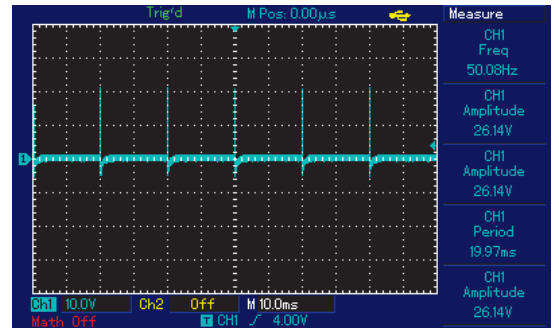
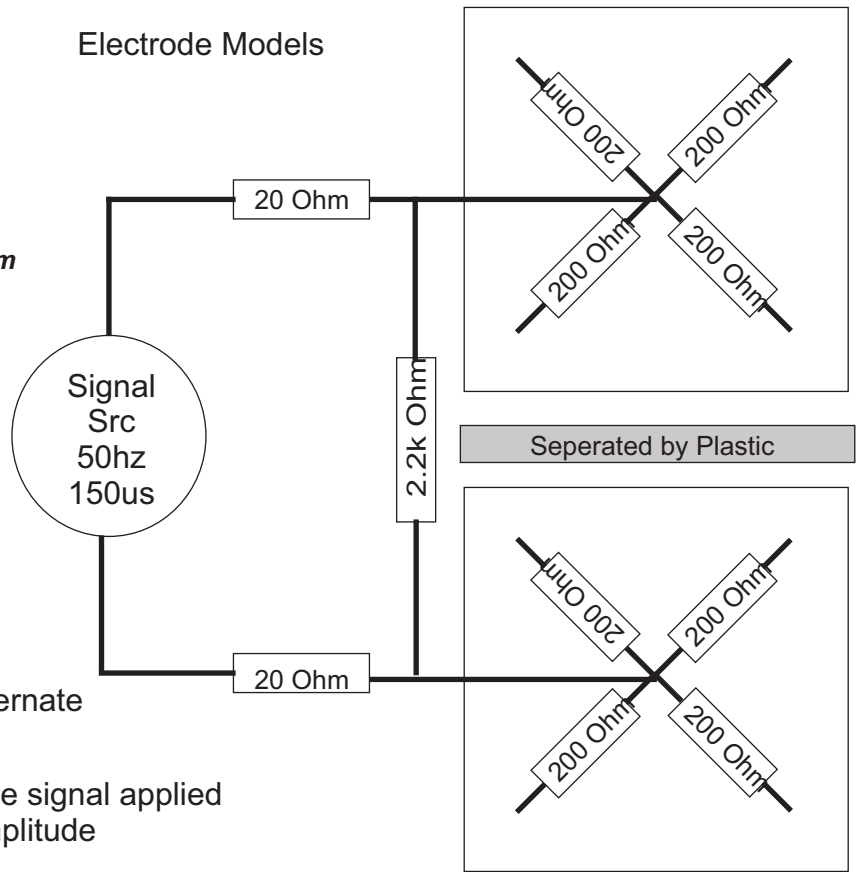
3 Modes : Constant - Synchronized - Alternate

1. Constant Mode Each Pad-Pair has same signal applied but each Pad-Pair has adjustable level/amplitude

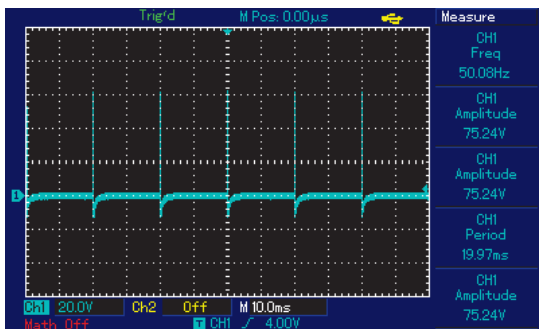
2 Synchronized mode allows a RAMP time to be set to both Pad-Pairs. Ramp time is same for Rise and Fall. Minimum is 2 seconds. On-Time and Off-Time may also be set. A 2 second Ramp time sets a On-time of 4 seconds adding more On-time adds time between Ramp-Up & Ramp-Down time. The Level/Amplitude is adjusted for each Pad-pair by control knob

3. Alternate Mode function as Synchronized mode but each Pad-Pair get energized alternately (at different times)

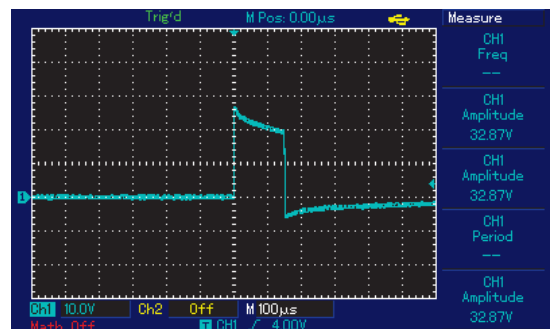
Electrode Models



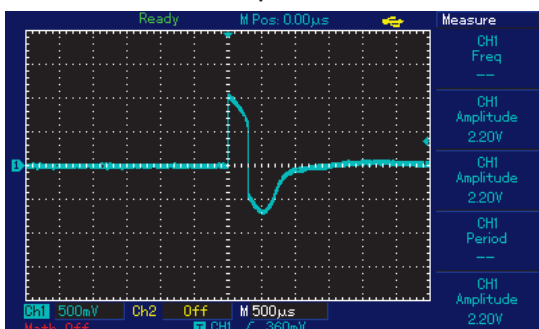
Moderate Amplitude



Max Amplitude

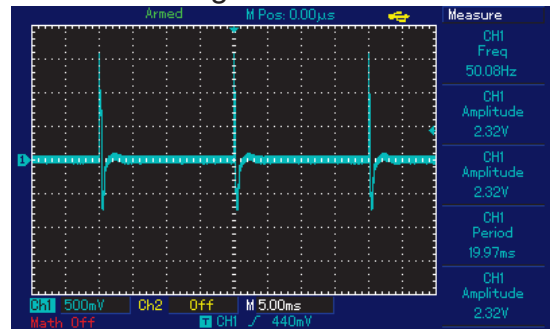


Voltage WaveForm



Each vertical Division is 10ma

Current Wave Form made with 300us pulse & Body attached to circuit & Resistive load removed plastic is also removed



Each vertical Division is 10ma

Features and Components



Band Set on Power Level "1"
1K Load on relief Band
Level 1-5 adjusted Voltage amplitude

