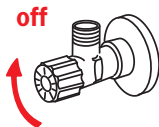

59 914 145, 59 914 144

 **HANSA**

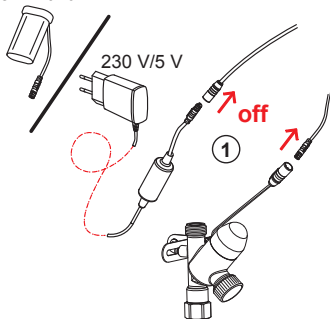
Wasser erleben

1



2

AA 1.5 V Lithium x 2



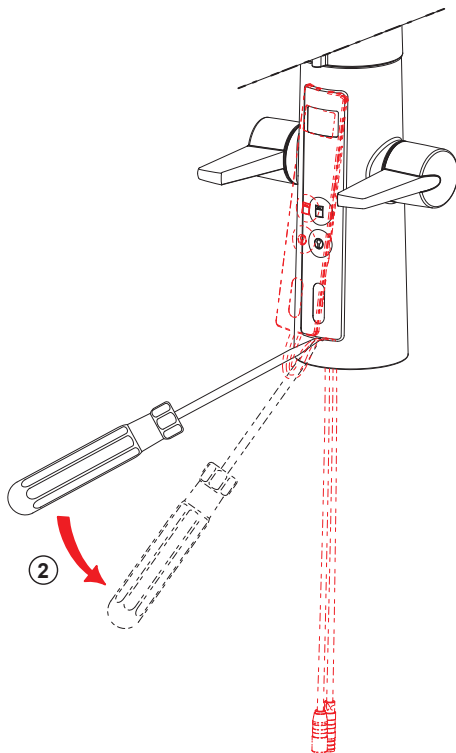
HANSA Armaturen GmbH
P. O. BOX 81 02 40
D-70519 Stuttgart
Sigmaringer Strasse 107
D-70567 Stuttgart

Tel.: +49 711 16 14 0
Fax: +49 711 16 14 368
info@hansa.de

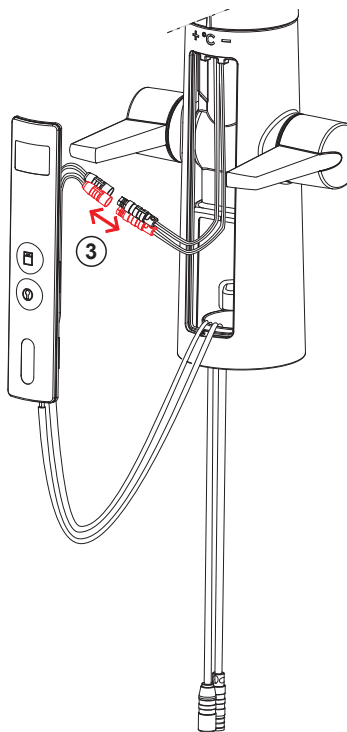
www.hansa.com

943122D/01/17

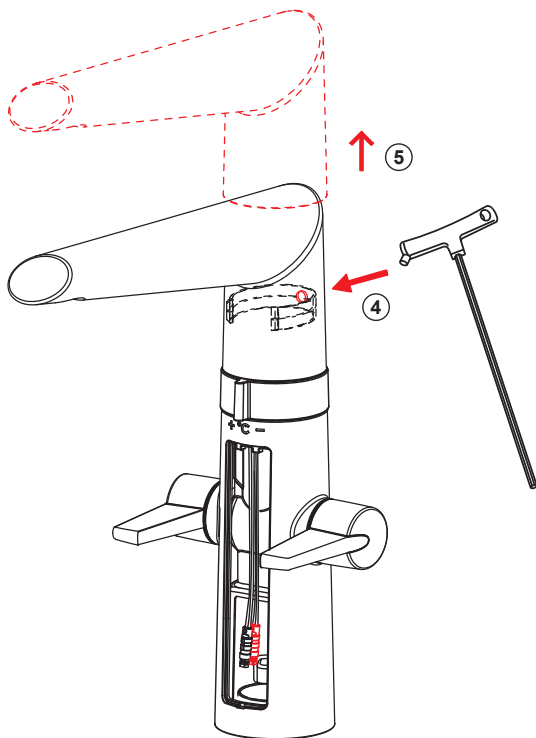
3



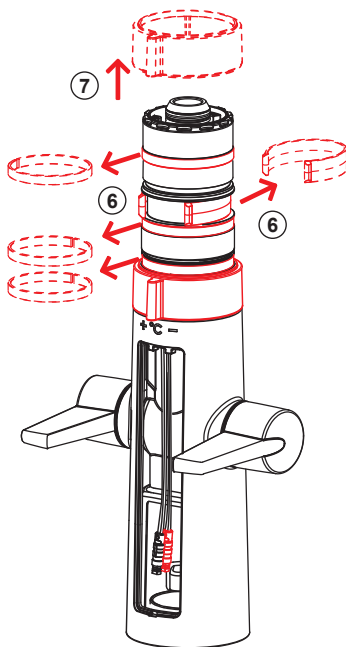
4



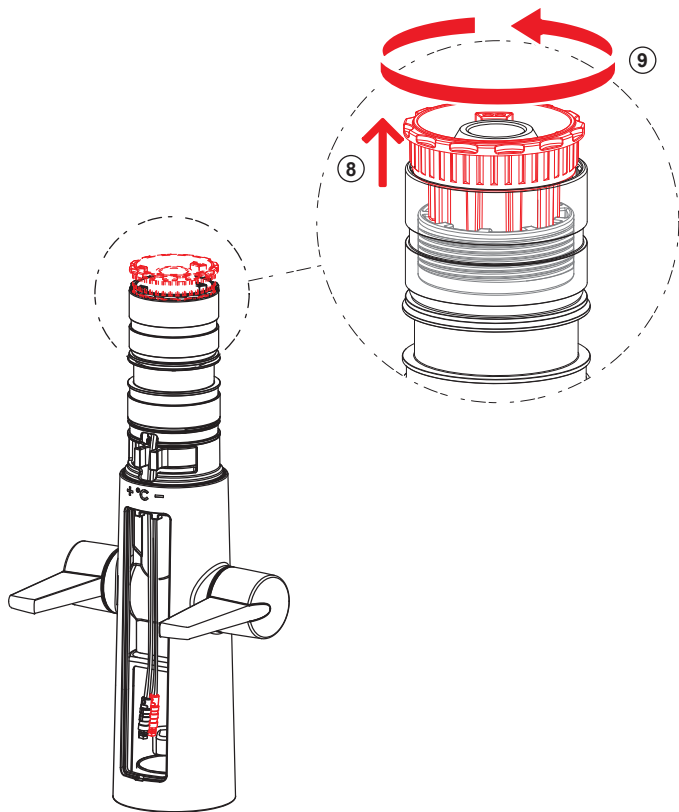
5



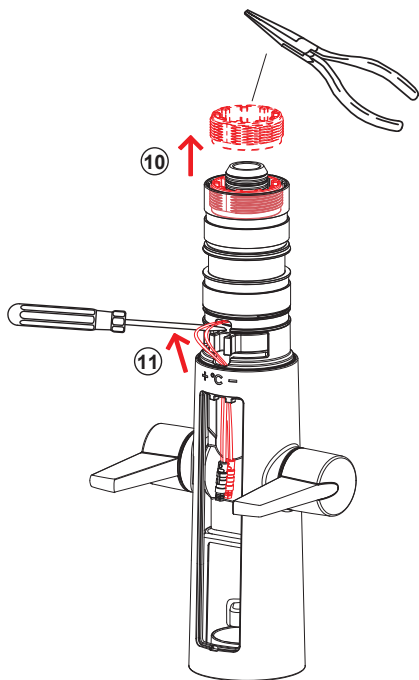
6



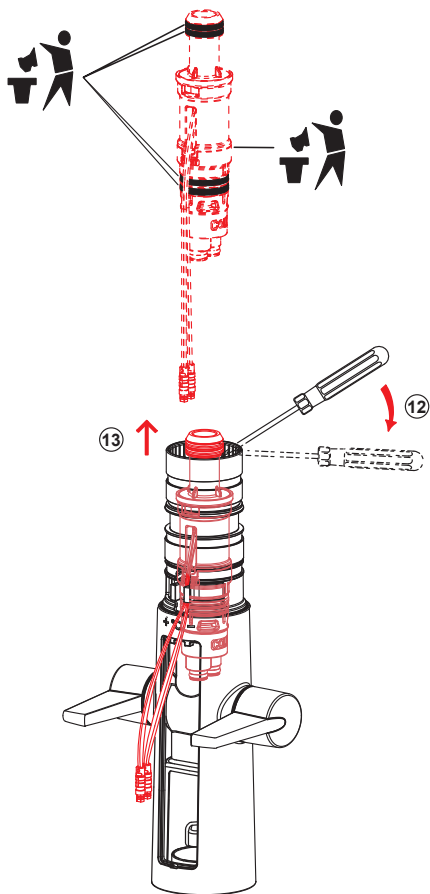
7



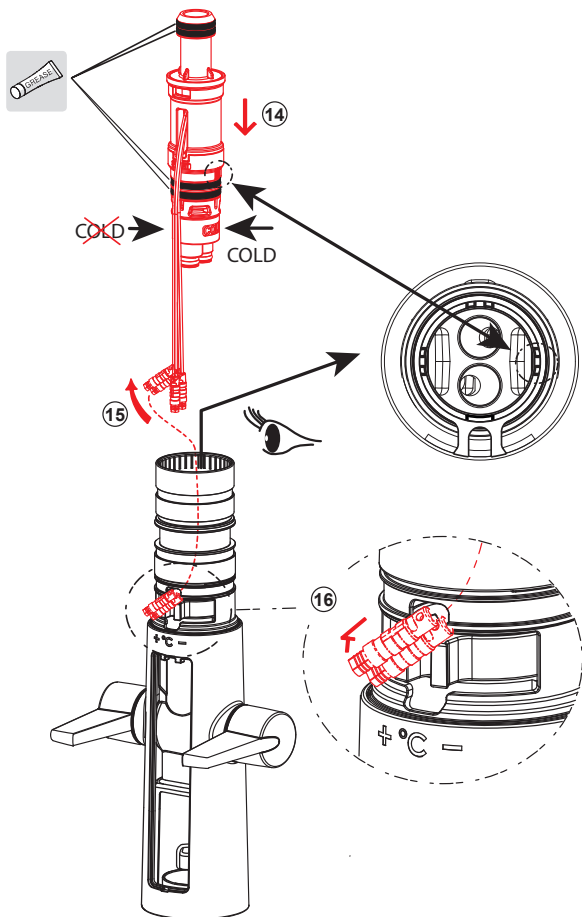
8



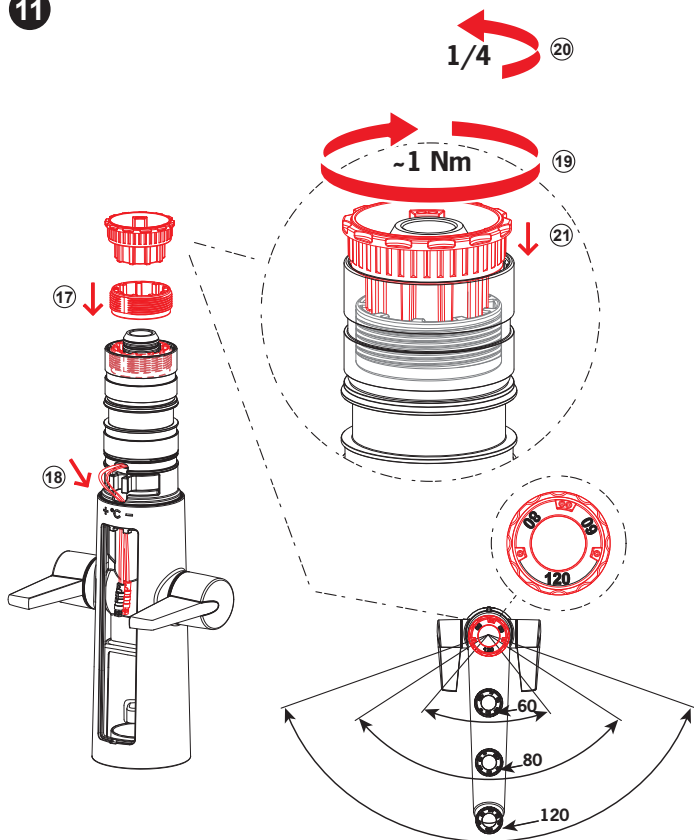
9



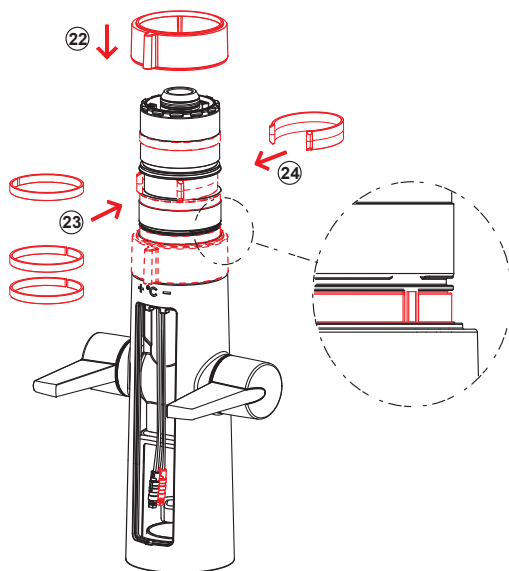
10



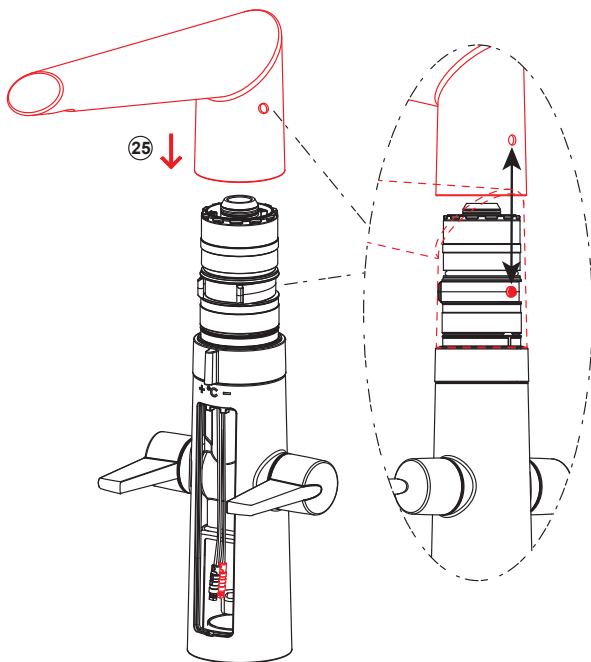
11



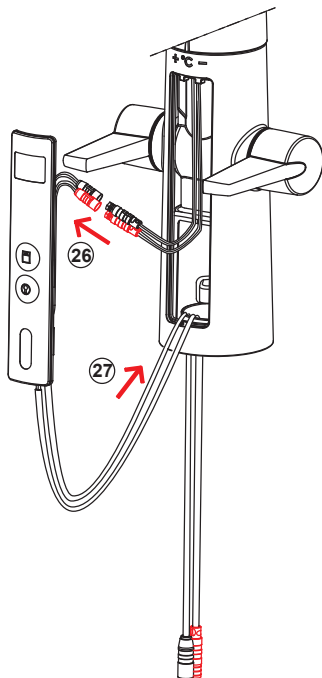
12



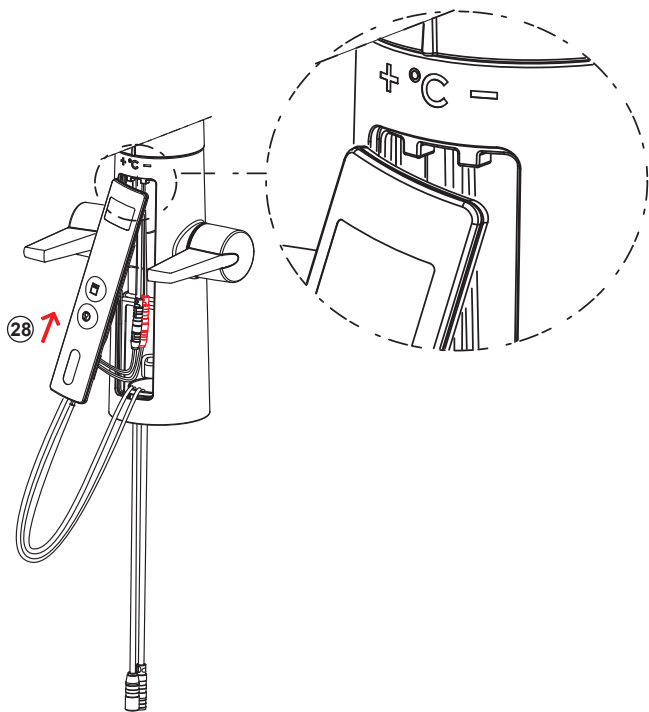
13



14

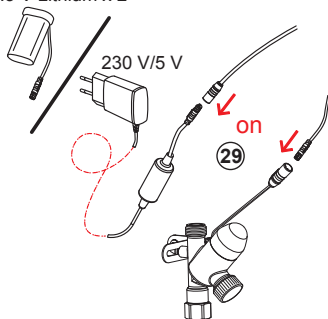


15

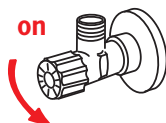


16

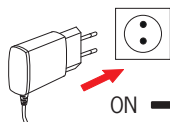
AA 1.5 V Lithium x 2



17



18



	Afterflow period (touchless function)	Max. flow period	Automatic flush	Automatic flush period	ON / OFF
	P1	P2	P3	P4	P5
U1	2 s	10 s	0	10 s	OFF
U2	4 s	40 s	12 h	30 s	ON
U3	8 s	60 s	24 h	60 s	-
U4	10 s	120 s	48 h	120 s	-
U5	20 s	180 s	72 h	180 s	FS

FS = Factory Settings

(within 3 minutes)

