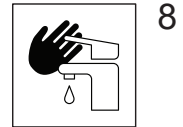
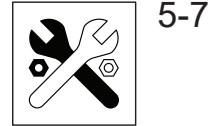




HANSA

Installation and maintenance guide

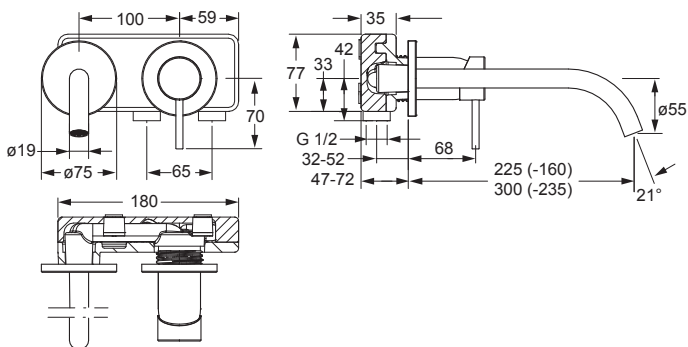






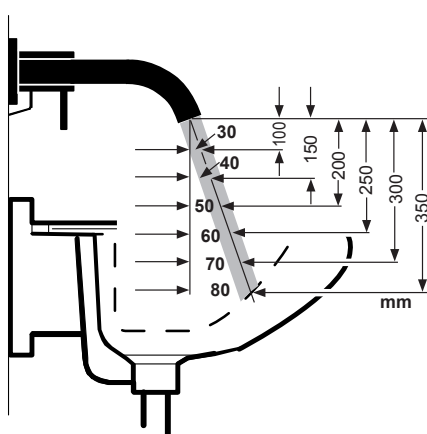
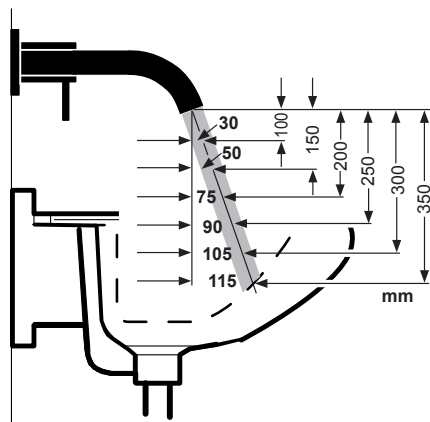
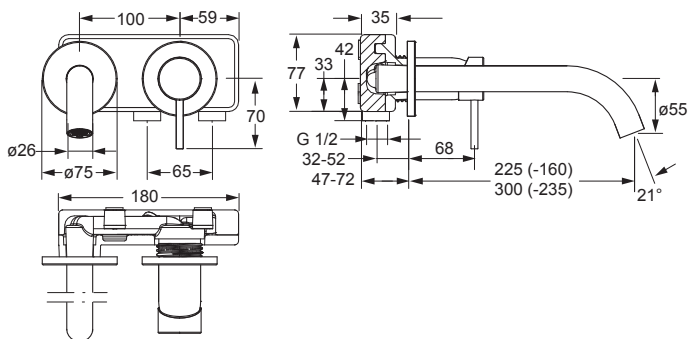
**5793 2171 , 5795 2171 ,
5793 2171 33, 5795 2171 33**

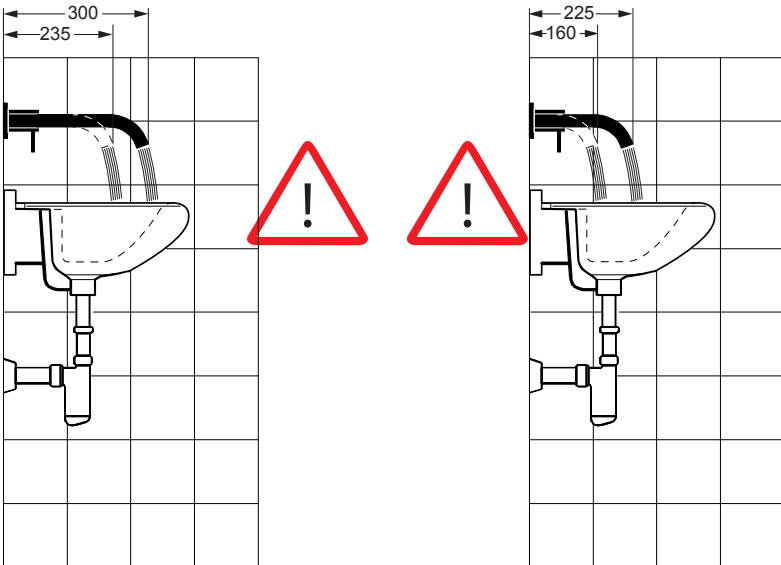
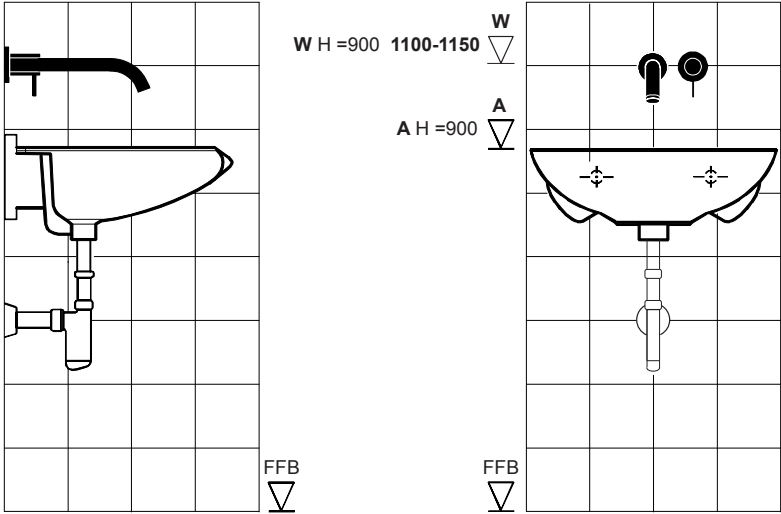
EN 817
50 - 1000 kPa
0.13 l/s (300 kPa w/Controller)
max. +90°C



5794 2171 , 5796 2171

EN 817
50 - 1000 kPa
0.13 l/s (300 kPa)
max. +90°C





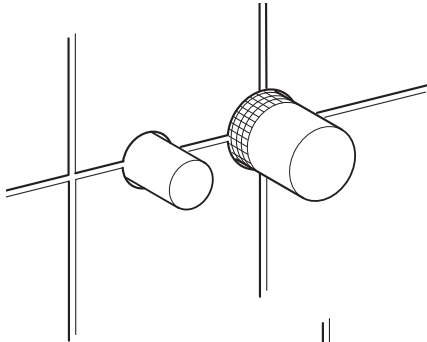


EN 806

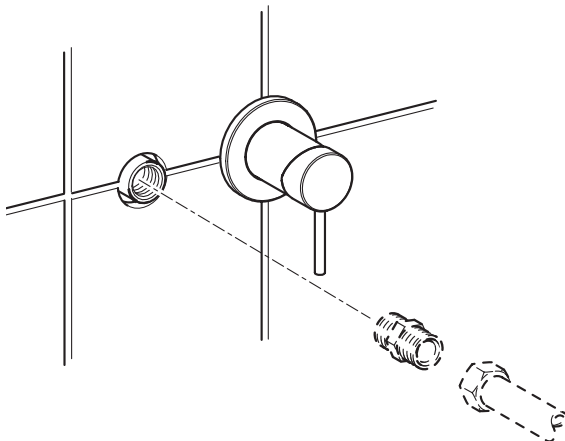
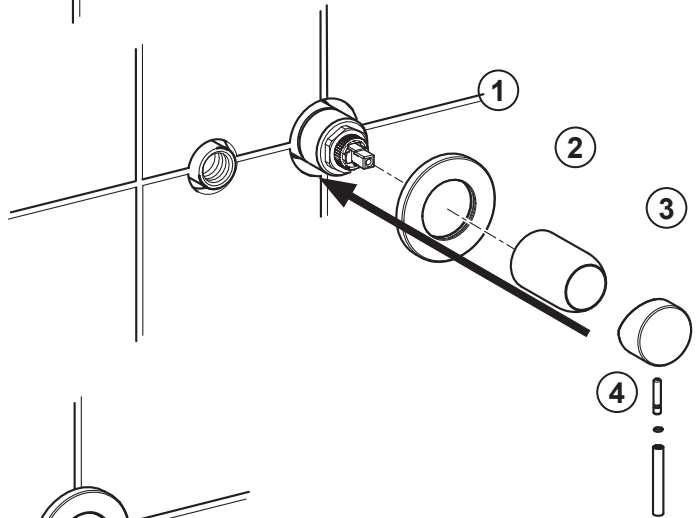


2.5

④



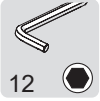
59 913 136 (+15 mm)





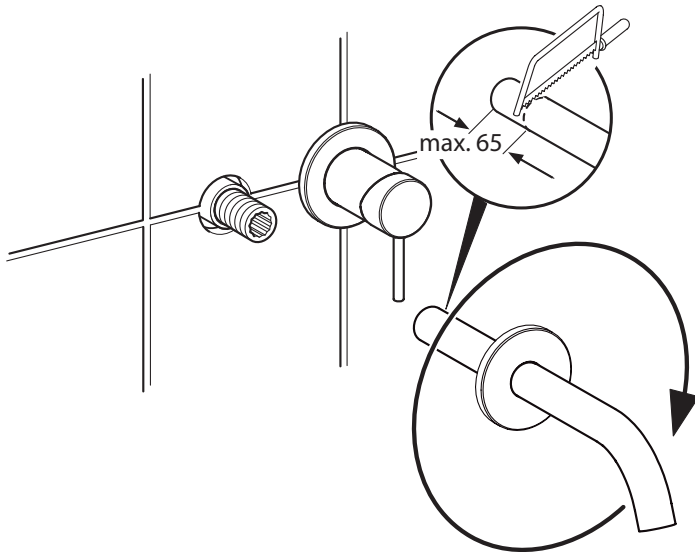
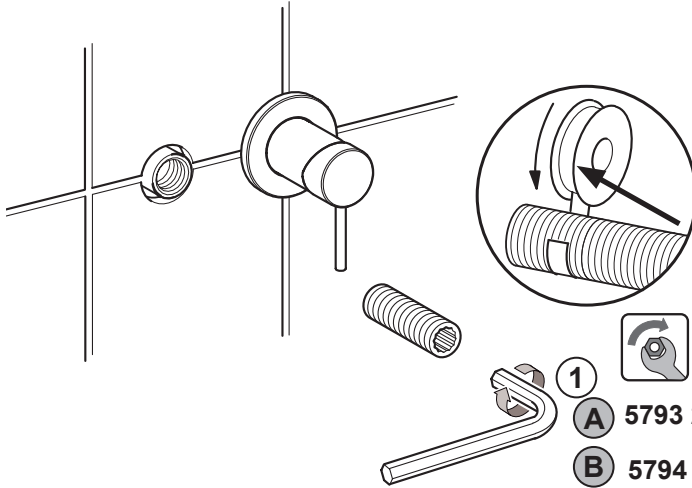
8

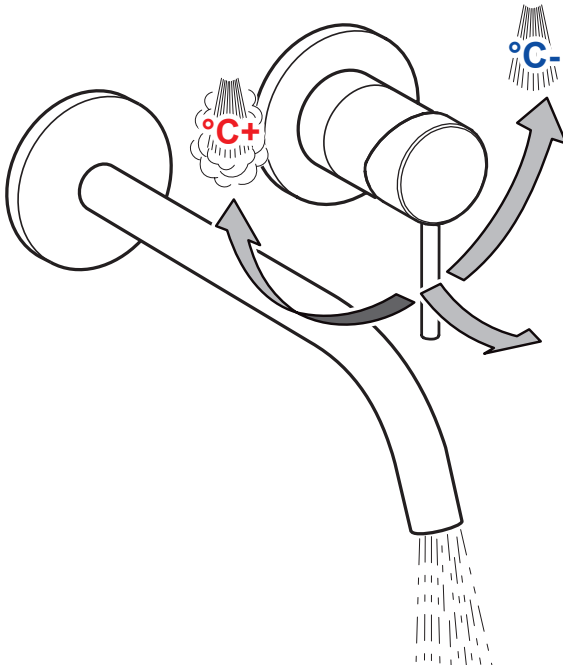
1 A

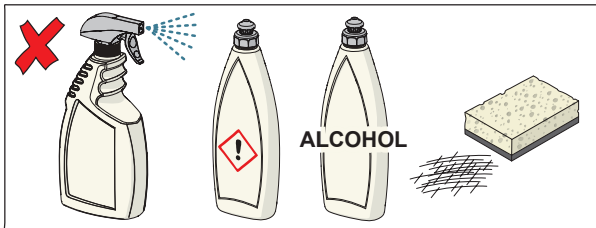
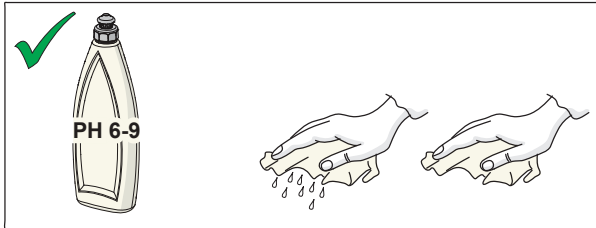
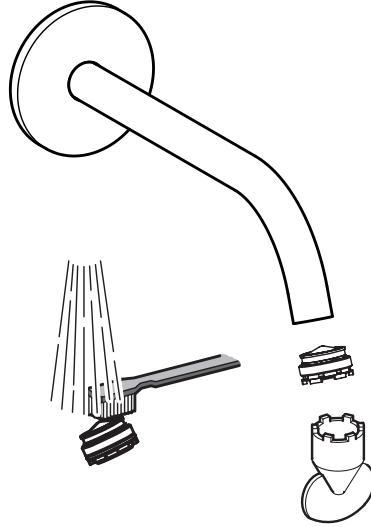
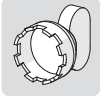


12

1 B







Oras Group is a powerful European provider of sanitary fittings: the market leader in the Nordics and a leading company in Continental Europe. The company's mission is to make the use of water easy and sustainable and its vision is to become the European leader of advanced sanitary fittings. Oras Group has two strong brands: Oras and Hansa.

The Group's head office is located in Rauma, Finland, and the Group has three manufacturing sites: Kralovice (Czech Republic), Olesno (Poland) and Rauma (Finland). Oras Group employs approximately 1,200 people in twenty countries. Oras Group is owned by Oras Invest, a family company and an industrial owner.

HANSA Armaturen GmbH
P. O. BOX 81 02 40
D-70519 Stuttgart
Sigmaringer Strasse 107
D-70567 Stuttgart
Tel.: +49 711 16 14 0
Fax: +49 711 16 14 368
info@hansa.de
www.hansa.com



943343D-01-21