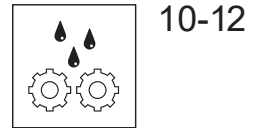
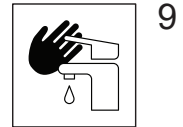
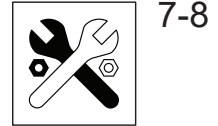




HANSA**CLINICA**

Installation and maintenance guide

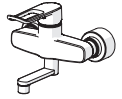
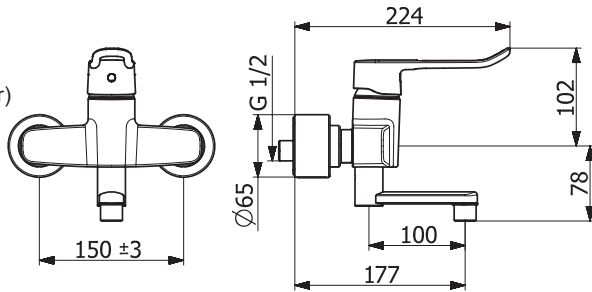






0152 6286

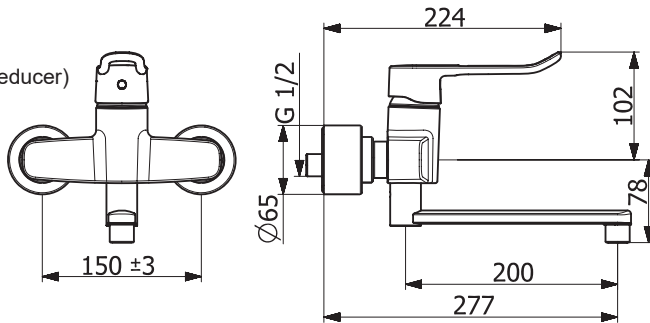
I (ISO 3822)
EN 817
50 - 1000 kPa
0.17 l/s (300 kPa w/Reducer)
max. +80°C



mpi.hansa.com/01526286

0153 6286

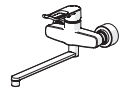
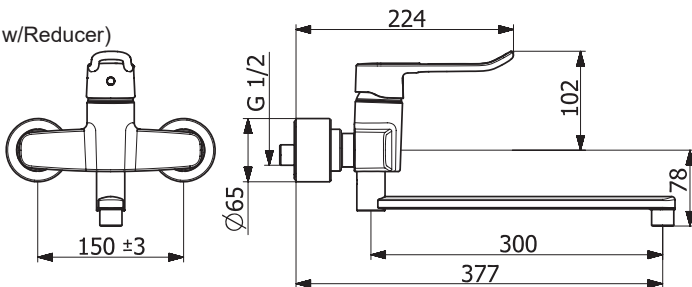
I (ISO 3822)
EN 817
50 - 1000 kPa
0.17 l/s (300 kPa w/Reducer)
max. +80°C



mpi.hansa.com/01536286

0154 6286

I (ISO 3822)
EN 817
50 - 1000 kPa
0.17 l/s (300 kPa w/Reducer)
max. +80°C

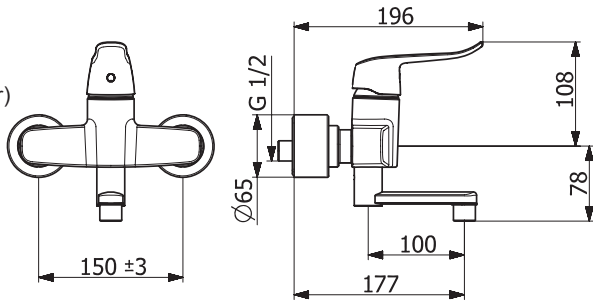


mpi.hansa.com/01546286



0152 6283

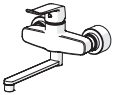
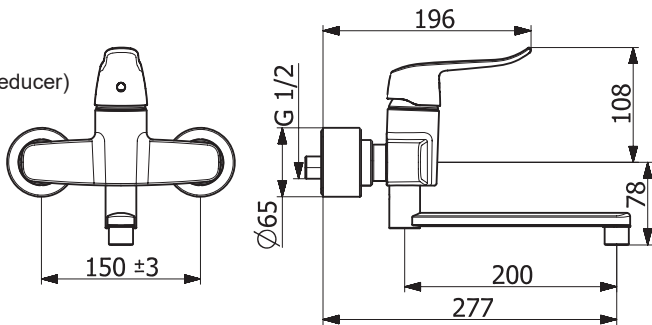
I (ISO 3822)
 EN 817
 50 - 1000 kPa
 0.17 l/s (300 kPa w/Reducer)
 max. +80°C



mpi.hansa.com/01526283

0153 6283

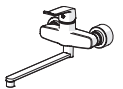
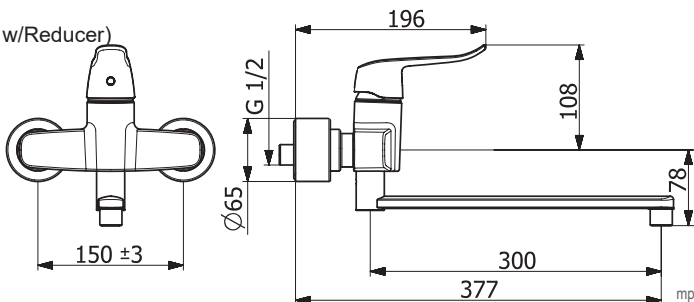
I (ISO 3822)
 EN 817
 50 - 1000 kPa
 0.17 l/s (300 kPa w/Reducer)
 max. +80°C



mpi.hansa.com/01536283

0154 6283

I (ISO 3822)
 EN 817
 50 - 1000 kPa
 0.17 l/s (300 kPa w/Reducer)
 max. +80°C

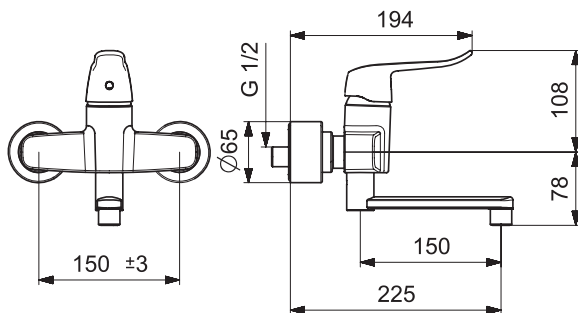


mpi.hansa.com/01546283



0151 6283

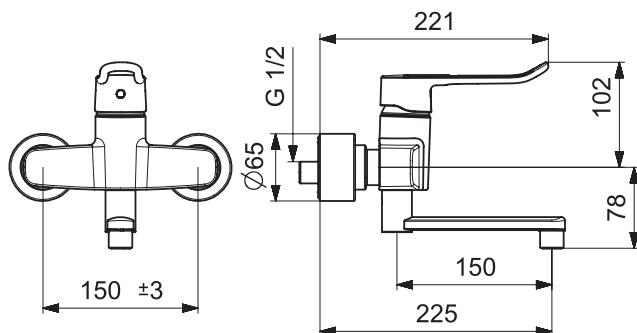
I (ISO 3822)
EN 817
50 - 1000 kPa
0.17 l/s (300 kPa w/
Reducer) max. +80°C



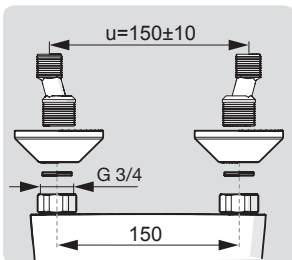
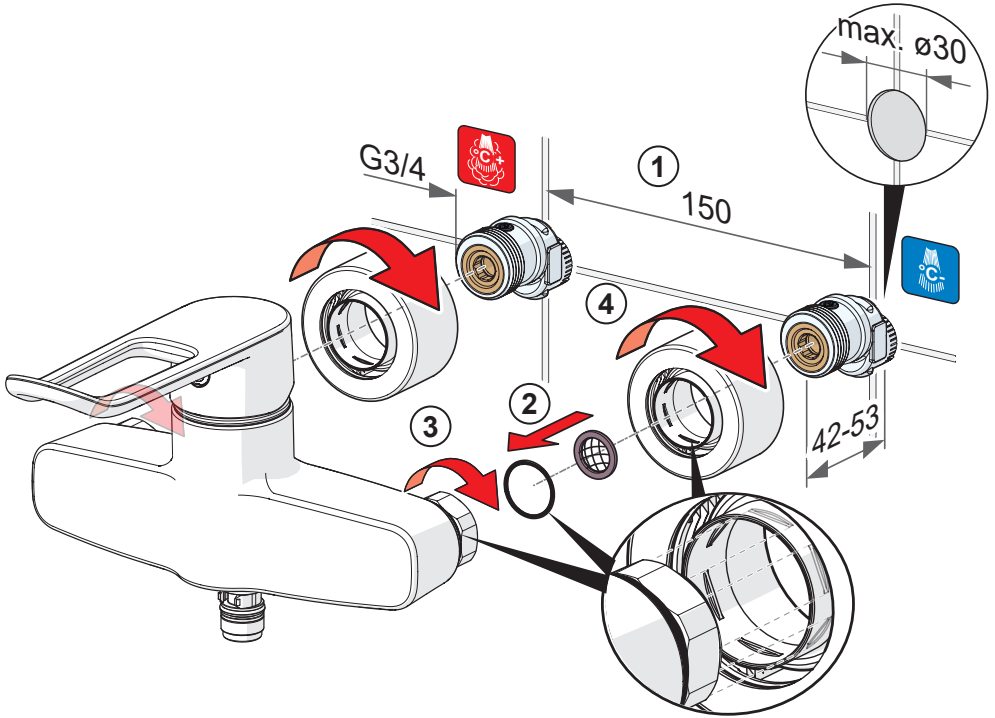
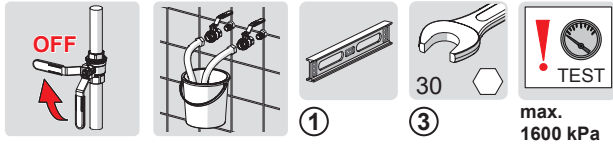
mpi.hansa.com/01516283

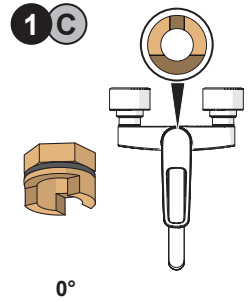
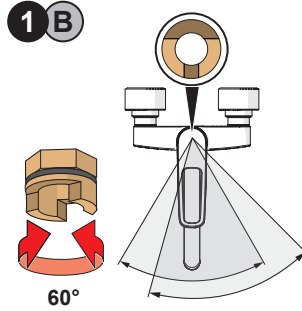
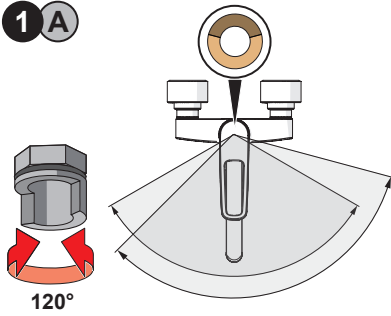
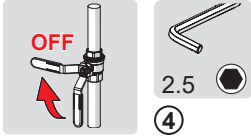
0151 6286

I (ISO 3822)
EN 817
50 - 1000 kPa
0.17 l/s (300 kPa w/
Reducer) max. +80°C



mpi.hansa.com/01516286

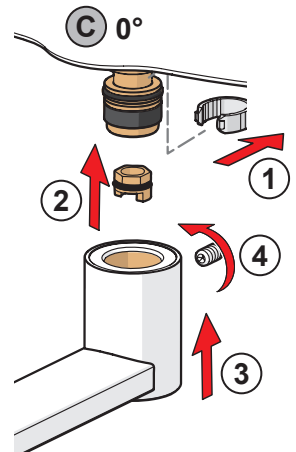
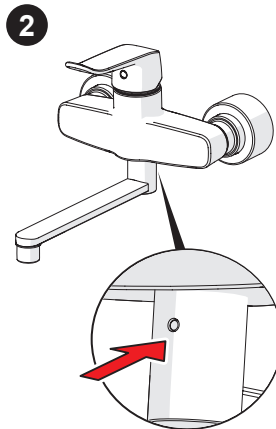
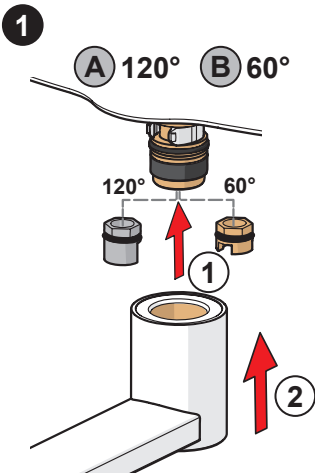


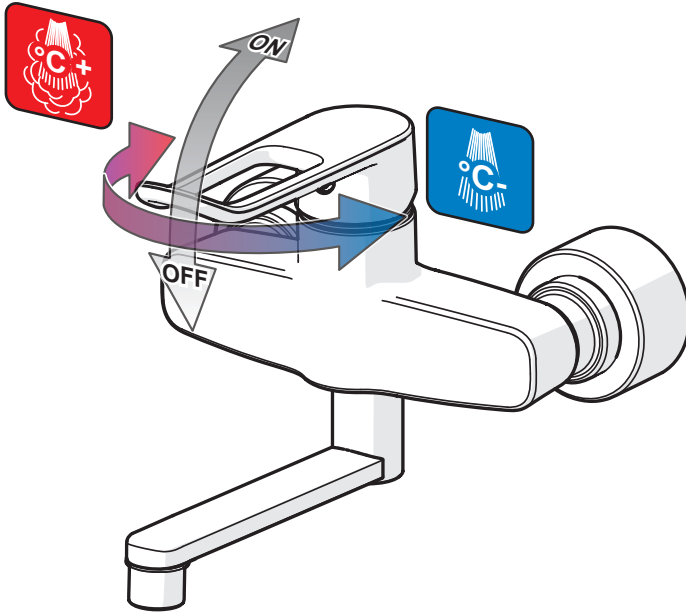


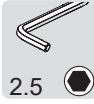
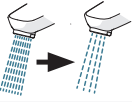
59 914 728

59 914 264

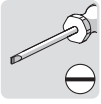
59 914 264



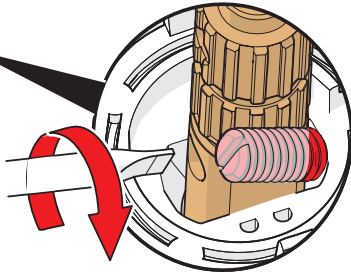
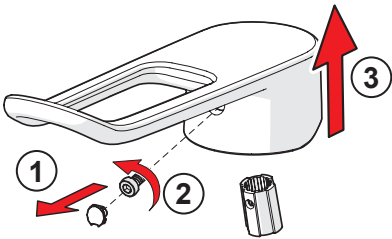


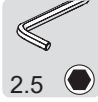
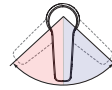


②



⑤



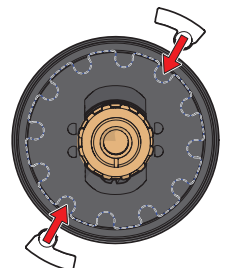
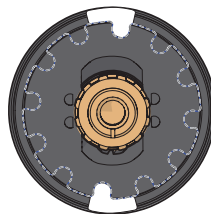
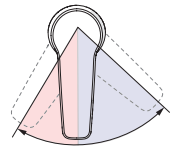
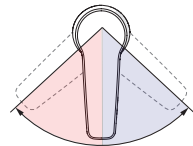
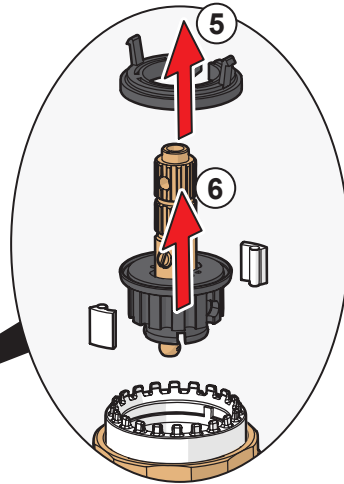
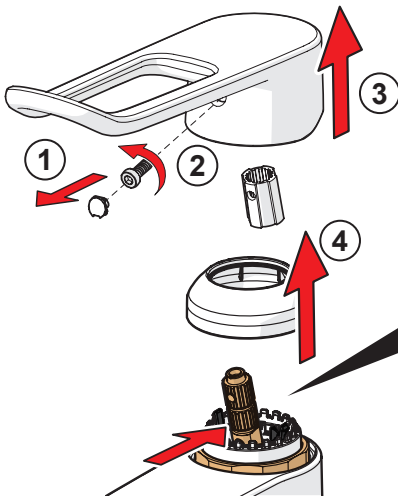


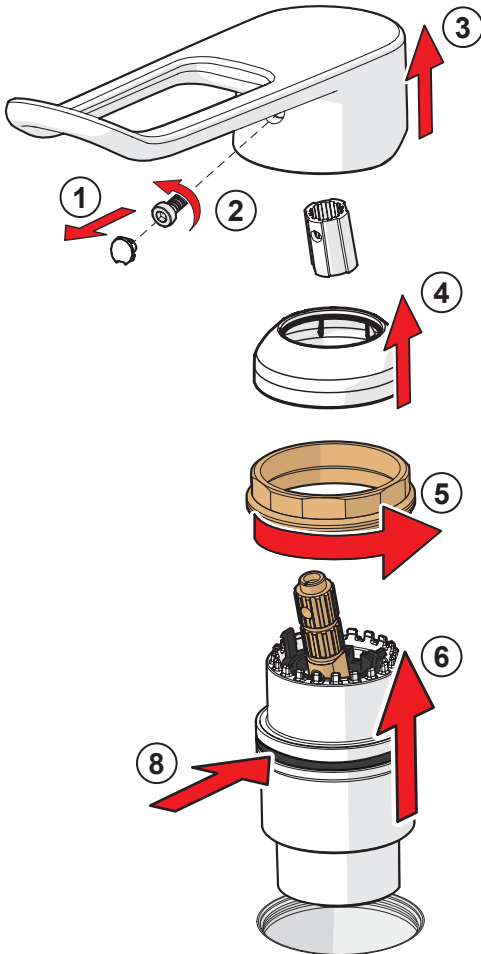
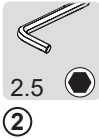
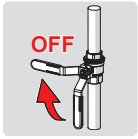
2.5

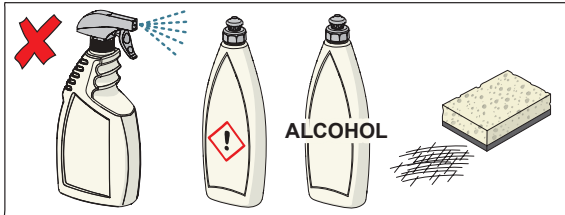
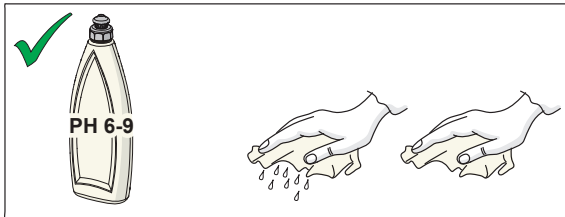
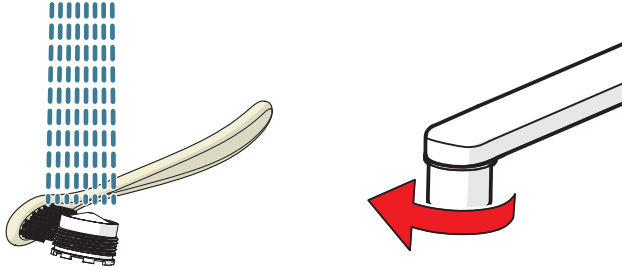


②

⑤ ⑥







cleaning.hansa.com

Oras Group is a powerful European provider of sanitary fittings: the market leader in the Nordics and a leading company in Continental Europe. The company's mission is to make the use of water easy and sustainable and its vision is to become the European leader of advanced sanitary fittings. Oras Group has two strong brands: Oras and Hansa.

The Group's head office is located in Rauma, Finland, and the Group has three manufacturing sites: Kralovice (Czech Republic), Olesno (Poland) and Rauma (Finland). Oras Group employs approximately 1,200 people in twenty countries. Oras Group is owned by Oras Invest, a family company and an industrial owner.

HANSA Armaturen GmbH
P. O. BOX 81 02 40
D-70519 Stuttgart
Sigmaringer Strasse 107
D-70567 Stuttgart
Tel.: +49 711 16 14 0
Fax: +49 711 16 14 368
info@hansa.de
www.hansa.com



943347D-05-22