



# HANSA

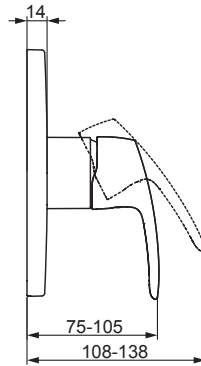
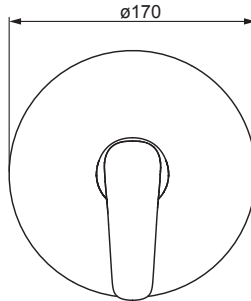
Installation and maintenance guide





**8527 9183**

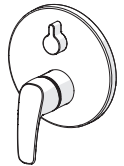
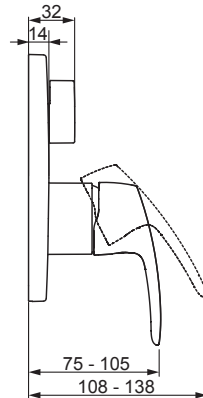
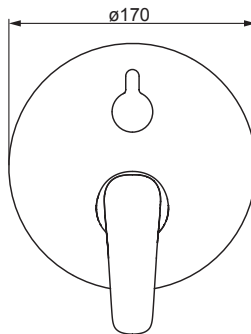
I (ISO 3822)  
EN 817  
50 - 1000 kPa  
0.33 l/s (300 kPa)  
max. +80°C



[mpi.hansa.com/85279183](http://mpi.hansa.com/85279183)

**8526 9183**

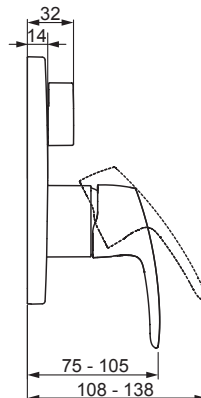
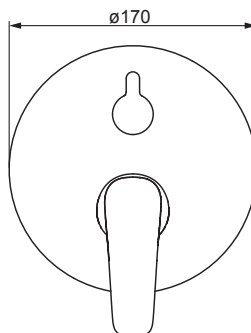
I (ISO 3822)  
EN 817  
50 - 1000 kPa  
0.34 / 0.34 l/s (300 kPa)  
max. +80°C



[mpi.hansa.com/85269183](http://mpi.hansa.com/85269183)

**8528 3083**

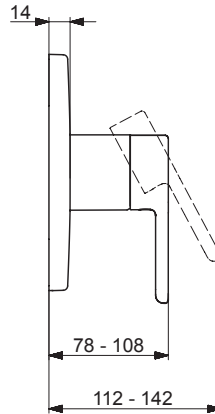
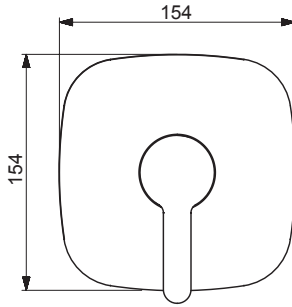
I (ISO 3822)  
EN 817  
50 - 1000 kPa  
0.34 / 0.34 l/s (300 kPa)  
max. +80°C



[mpi.hansa.com/85283083](http://mpi.hansa.com/85283083)

### 8110 9593

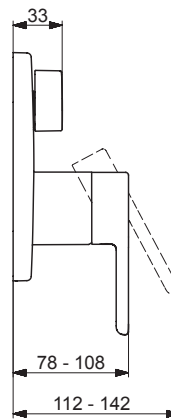
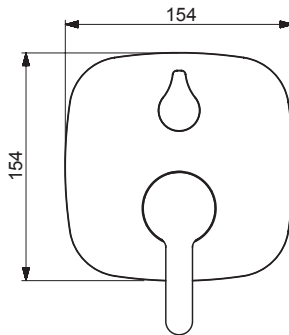
I (ISO 3822)  
 EN 817  
 50 - 1000 kPa  
 0.33 l/s (300 kPa)  
 max. +80°C



[mpi.hansa.com/81109593](http://mpi.hansa.com/81109593)

### 8111 9593

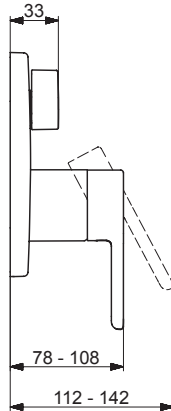
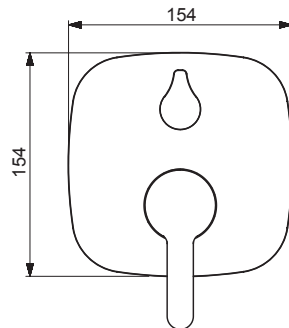
I (ISO 3822)  
 EN 817  
 50 - 1000 kPa  
 0.34 / 0.34 l/s (300 kPa)  
 max. +80°C



[mpi.hansa.com/81119593](http://mpi.hansa.com/81119593)

### 8111 3593

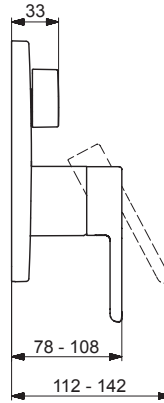
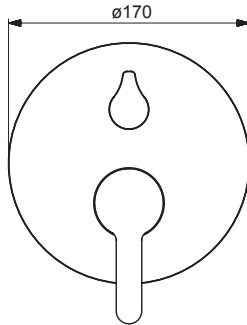
I (ISO 3822)  
 EN 817  
 50 - 1000 kPa  
 0.34 / 0.34 l/s (300 kPa)  
 300 kPa (0.2 l/s)  
 300 kPa (0.3 l/s)  
 max. +80°C



[mpi.hansa.com/81113593](http://mpi.hansa.com/81113593)

**8111 9563**

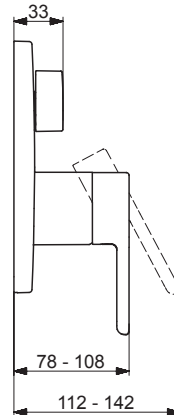
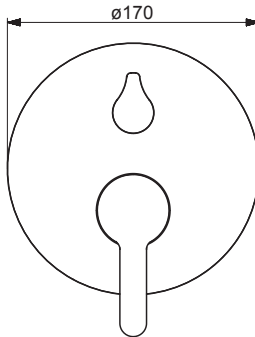
I (ISO 3822)  
EN 817  
50 - 1000 kPa  
0.34 / 0.34 l/s (300 kPa)  
300 kPa (0.2 l/s)  
300 kPa (0.3 l/s)  
max. +80°C



[mpi.hansa.com/81119563](https://mpi.hansa.com/81119563)

**8111 3563**

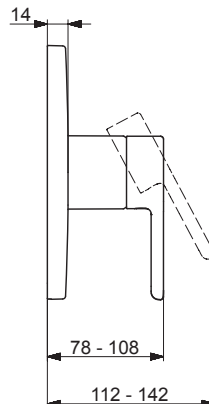
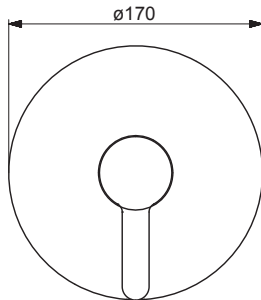
I (ISO 3822)  
EN 817  
50 - 1000 kPa  
0.34 / 0.34 l/s (300 kPa)  
300 kPa (0.2 l/s)  
300 kPa (0.3 l/s)  
max. +80°C



[mpi.hansa.com/81113563](https://mpi.hansa.com/81113563)

**8110 9563**

I (ISO 3822)  
EN 817  
50 - 1000 kPa  
0.33 l/s (300 kPa)  
300 kPa (0.2 l/s)  
max. +80°C

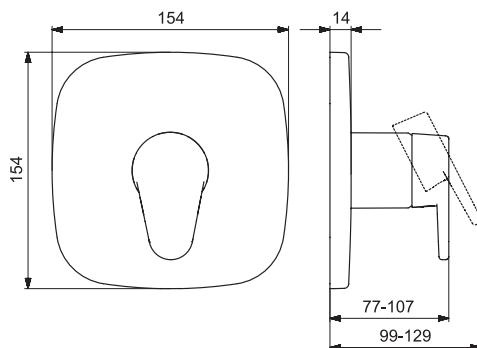


[mpi.hansa.com/81109563](https://mpi.hansa.com/81109563)



### 8064 9013

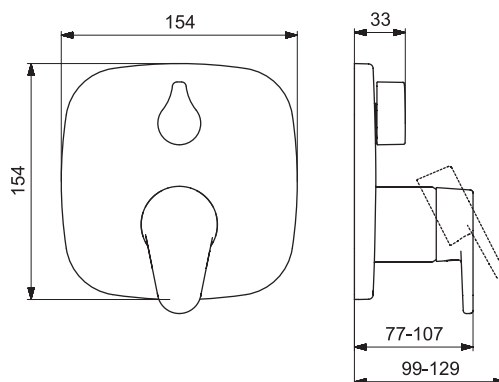
I (ISO 3822)  
EN 817  
100 - 1000 kPa  
0.37 l/s (300 kPa)  
max. +80°C



[mpi.hansa.com/80649013](http://mpi.hansa.com/80649013)

### 8063 9013

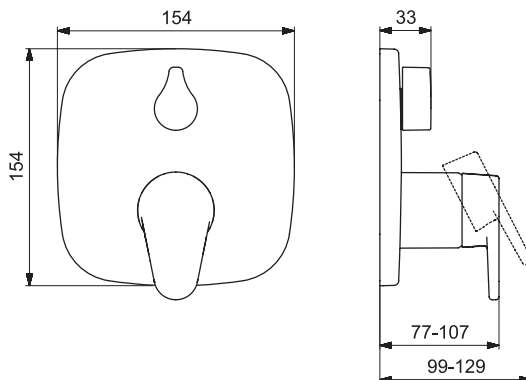
I (ISO 3822)  
EN 817  
100 - 1000 kPa  
0.35 / 0.35 l/s (300 kPa)  
max. +80°C



[mpi.hansa.com/80639013](http://mpi.hansa.com/80639013)

### 8063 3013

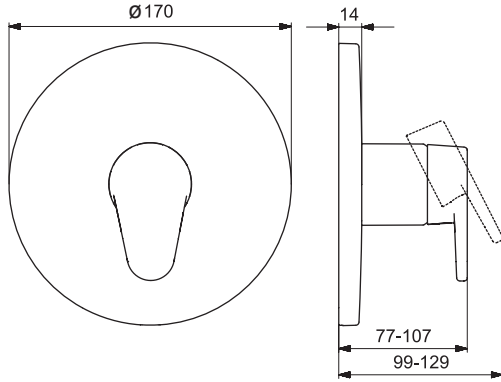
EN 817  
50 - 1000 kPa  
0.35 / 0.35 l/s (300 kPa)  
max. +80°C



[mpi.hansa.com/80633013](http://mpi.hansa.com/80633013)

**8064 9003**

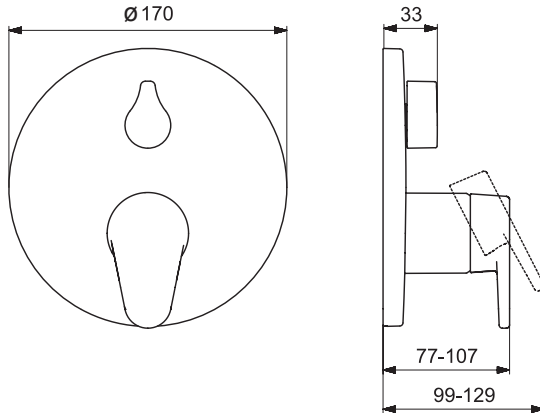
EN 817  
50 - 1000 kPa  
0.37 l/s (300 kPa)  
max. +80°C



[mpi.hansa.com/80649003](https://mpi.hansa.com/80649003)

**8063 9003**

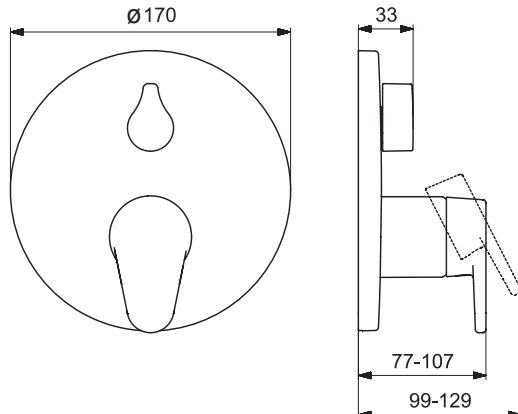
EN 817  
50 - 1000 kPa  
0.35 / 0.35 l/s (300 kPa)  
max. +80°C



[mpi.hansa.com/80639003](https://mpi.hansa.com/80639003)

**8063 3003**

EN 817  
50 - 1000 kPa  
0.35 / 0.35 l/s (300 kPa)  
max. +80°C

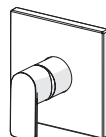
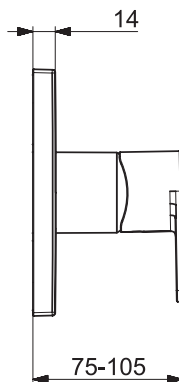
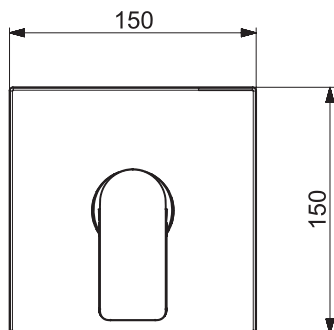


[mpi.hansa.com/80633003](https://mpi.hansa.com/80633003)



### 8785 9073

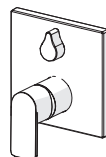
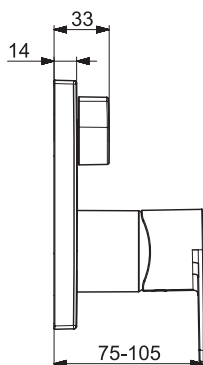
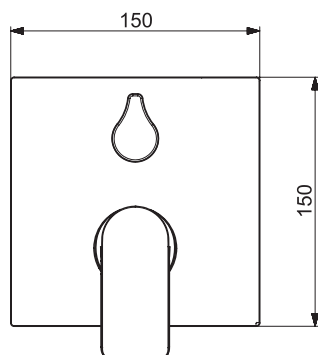
I (ISO 3822)  
EN 817  
50 - 1000 kPa  
0.33 l/s (300 kPa)  
max. +80°C



[mpi.hansa.com/87859073](http://mpi.hansa.com/87859073)

### 8784 9073

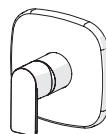
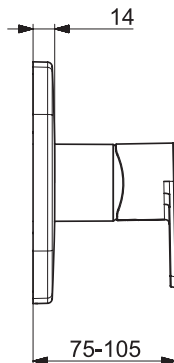
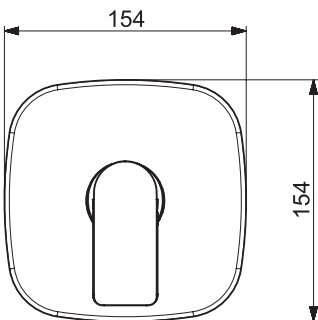
I (ISO 3822)  
EN 817  
50 - 1000 kPa  
0.34 / 0.34 l/s (300 kPa)  
max. +80°C



[mpi.hansa.com/87849073](http://mpi.hansa.com/87849073)

### 8785 9173

I (ISO 3822)  
EN 817  
50 - 1000 kPa  
0.33 l/s (300 kPa)  
max. +80°C



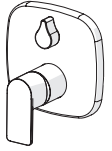
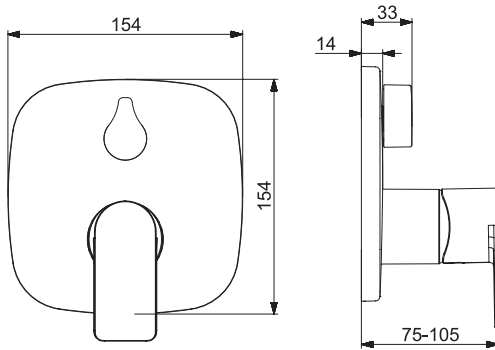
[mpi.hansa.com/87859173](http://mpi.hansa.com/87859173)





### 8784 9173

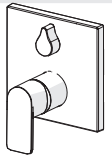
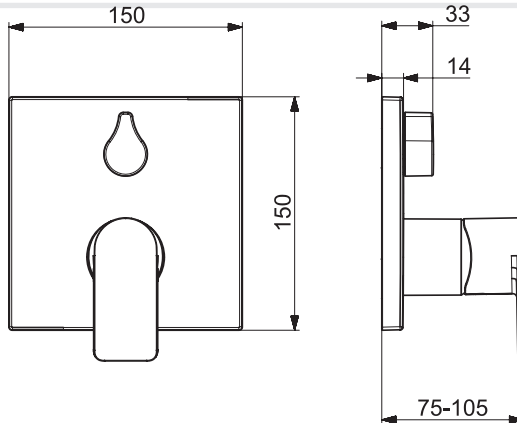
I (ISO 3822)  
EN 817  
50 - 1000 kPa  
0.34 / 0.34 l/s (300 kPa)  
max. +80°C



[mpi.hansa.com/87849173](http://mpi.hansa.com/87849173)

### 8784 3073

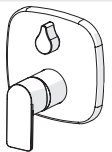
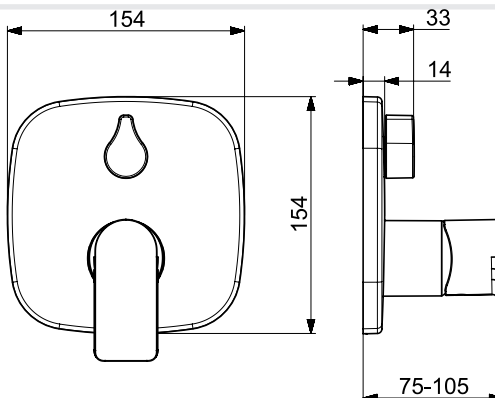
I (ISO 3822)  
EN 817  
50 - 1000 kPa  
0.34 / 0.34 l/s (300 kPa)  
max. +80°C



[mpi.hansa.com/87843073](http://mpi.hansa.com/87843073)

### 8784 3173

I (ISO 3822)  
EN 817  
50 - 1000 kPa  
0.34 / 0.34 l/s (300 kPa)  
max. +80°C

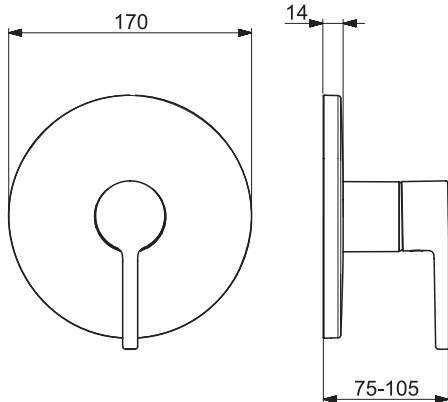


[mpi.hansa.com/87843173](http://mpi.hansa.com/87843173)



### 8261 9067

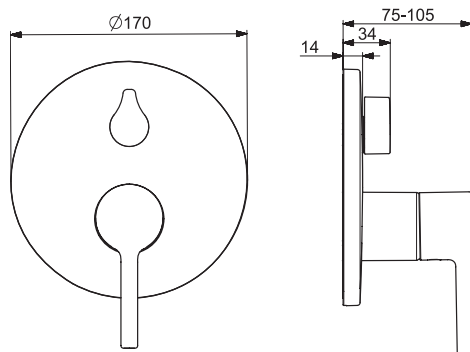
EN 817  
50 - 1000 kPa  
0.33 l/s (300 kPa)  
max. +80°C



[mpi.hansa.com/82619067](http://mpi.hansa.com/82619067)

### 8260 9067

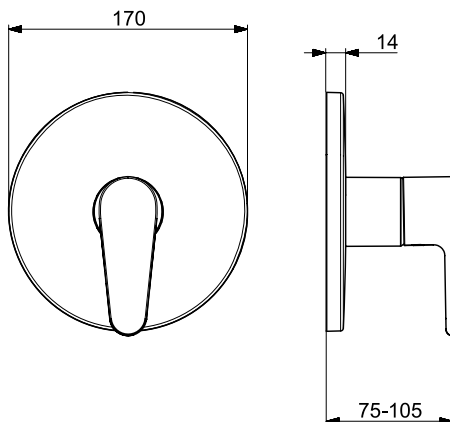
I (ISO 3822)  
EN 817  
50 - 1000 kPa  
0.34/0.34 l/s (300 kPa)  
max. +80°C



[mpi.hansa.com/82609067](http://mpi.hansa.com/82609067)

### 8261 9063

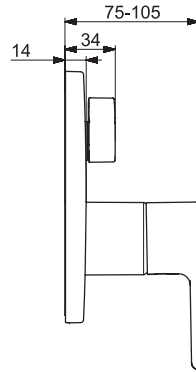
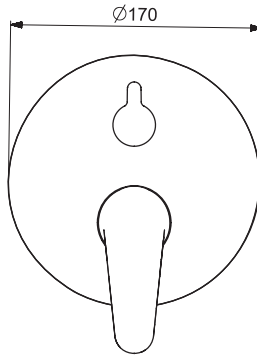
I (ISO 3822)  
EN 817  
50 - 1000 kPa  
0.33 l/s (300 kPa)  
max. +80°C



[mpi.hansa.com/82619063](http://mpi.hansa.com/82619063)

**8260 9063**

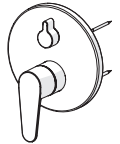
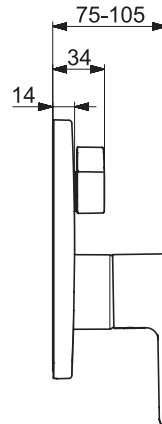
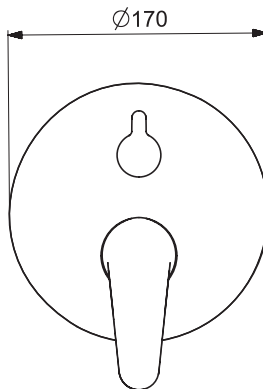
I (ISO 3822)  
EN 817  
50 - 1000 kPa  
0.34/0.34 l/s (300 kPa)  
max. +80°C



[mpi.hansa.com/82609063](http://mpi.hansa.com/82609063)

**8260 3063**

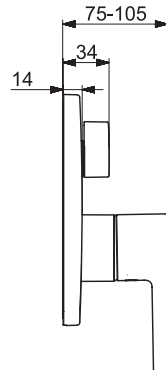
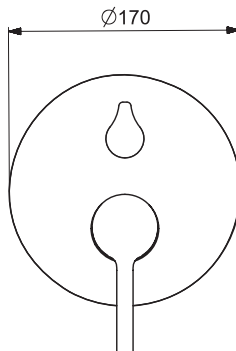
I (ISO 3822)  
EN 817  
50 - 1000 kPa  
0.34/0.34 l/s (300 kPa)  
max. +80°C



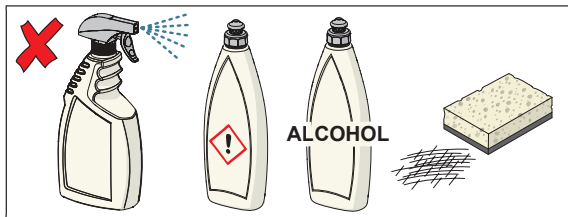
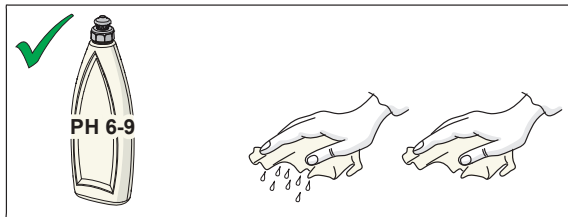
[mpi.hansa.com/82603063](http://mpi.hansa.com/82603063)

**8260 3067**

I (ISO 3822)  
EN 817  
50 - 1000 kPa  
0.34/0.34 l/s (300 kPa)  
max. +80°C



[mpi.hansa.com/82603067](http://mpi.hansa.com/82603067)



[cleaning.hansa.com](https://cleaning.hansa.com)







Oras Group is a powerful European provider of sanitary fittings: the market leader in the Nordics and a leading company in Continental Europe. The company's mission is to make the use of water easy and sustainable and its vision is to become the European leader of advanced sanitary fittings. Oras Group has two strong brands: Oras and Hansa.

The Group's head office is located in Rauma, Finland, and the Group has three manufacturing sites: Kralovice (Czech Republic), Olesno (Poland) and Rauma (Finland). Oras Group employs approximately 1,200 people in twenty countries. Oras Group is owned by Oras Invest, a family company and an industrial owner.

HANSA Armaturen GmbH  
P. O. BOX 81 02 40  
D-70519 Stuttgart  
Sigmaringer Strasse 107  
D-70567 Stuttgart  
Tel.: +49 711 16 14 0  
Fax: +49 711 16 14 368  
info@hansa.de  
www.hansa.com



943231D-01-22