



Oras Swea

INSTALLATION AND MAINTENANCE GUIDE





4-6



7-9



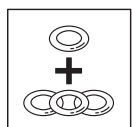
9



10-16



17

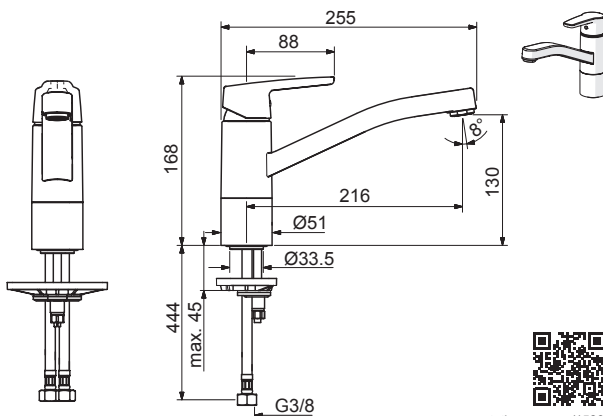


18-21



1530F

I (ISO 3822) Oras lab,
EN 817
50 - 1000 kPa
0.078 l/s (Eco)
0.13 l/s (300 kPa)
180 kPa (0.1 l/s)
max. +80°C

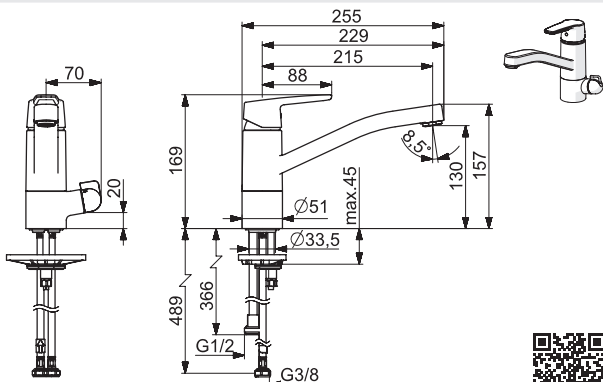


static.oras.com/1530F

1445 KIWA Sverige 1913

1535F

I (ISO 3822) Oras lab,
EN 817
50 - 1000 kPa
0.078 l/s (Eco)
0.13 l/s (300 kPa)
180 kPa (0.1 l/s)
max. +80°C

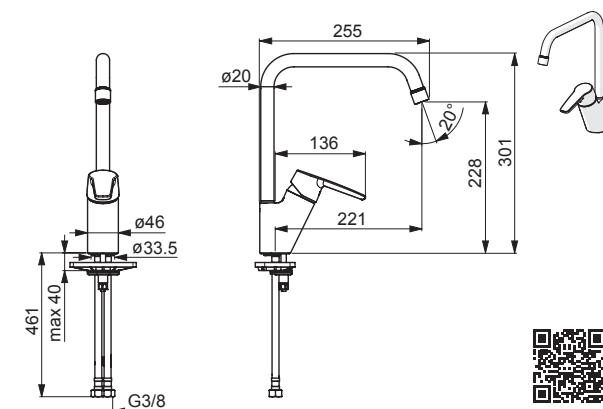


static.oras.com/1535F

1445 KIWA Sverige 1913

1533F

I (ISO 3822) Oras lab,
EN 817
50 - 1000 kPa
0.078 l/s (Eco)
0.13 l/s (300 kPa)
180 kPa (0.1 l/s)
max. +80°C

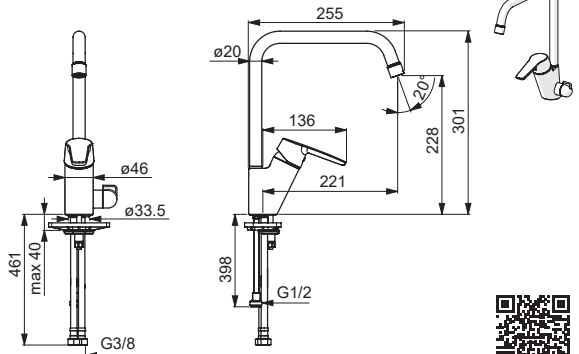


static.oras.com/1533F

1445 KIWA Sverige 1913

1534F, 1534F-106

I (ISO 3822) Oras lab,
 EN 817
 50 - 1000 kPa
 0.078 l/s (Eco)
 0.07 l/s (Eco) 1534F-106
 0.13 l/s (300 kPa)
 0.09 l/s (300 kPa w/Controller) 1534F-106
 180 kPa (0.1 l/s)
 max. +80°C



static.oras.com/1534F

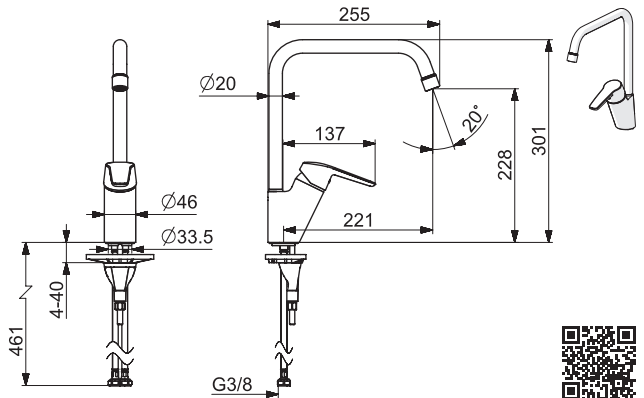


1445 KIWA Sverige 1913



1533FL-106

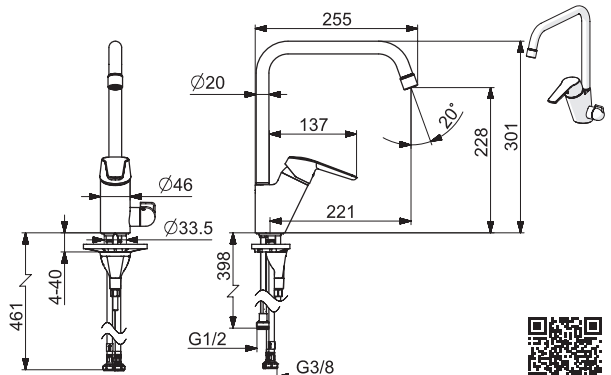
I (ISO 3822) Oras lab,
 EN 817
 50 - 1000 kPa
 0.07 l/s (Eco)
 0.09 l/s (300 kPa w/Controller)
 max. +80°C



static.oras.com/1533FL-106

1534FL-106

I (ISO 3822) Oras lab,
 EN 817
 50 - 1000 kPa
 0.07 l/s (Eco)
 0.09 l/s (300 kPa w/Controller)
 max. +80°C

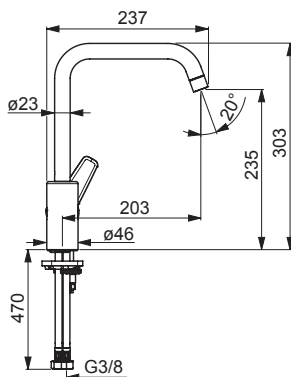
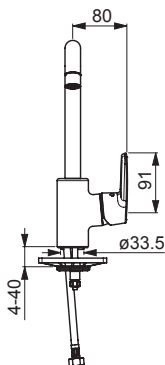


static.oras.com/1534FL-106



1531F

I (ISO 3822) Oras lab,
 EN 817
 50 - 1000 kPa
 0.078 l/s (Eco)
 0.13 l/s (300 kPa)
 180 kPa (0.1 l/s)
 max. +80°C



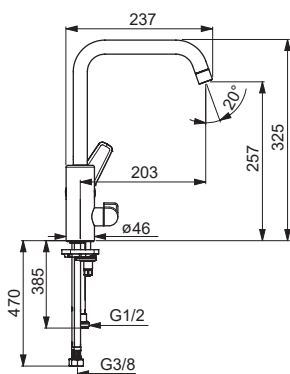
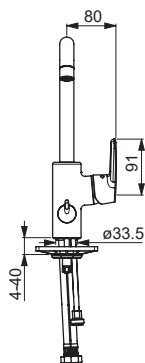
 1445 KIWA Sverige 1913 



static.oras.com/1531F

1536F

I (ISO 3822) Oras lab,
 EN 817
 50 - 1000 kPa
 0.078 l/s (Eco)
 0.13 l/s (300 kPa)
 180 kPa (0.1 l/s)
 max. +80°C



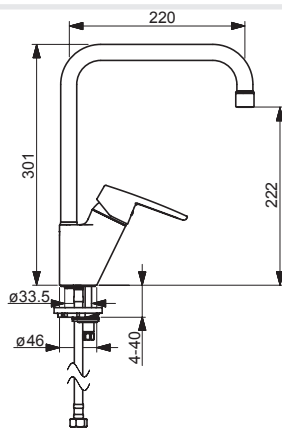
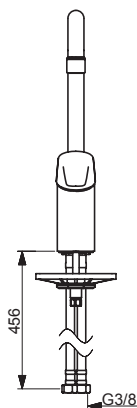
 1445 KIWA Sverige 1913 



static.oras.com/1536F

1523F

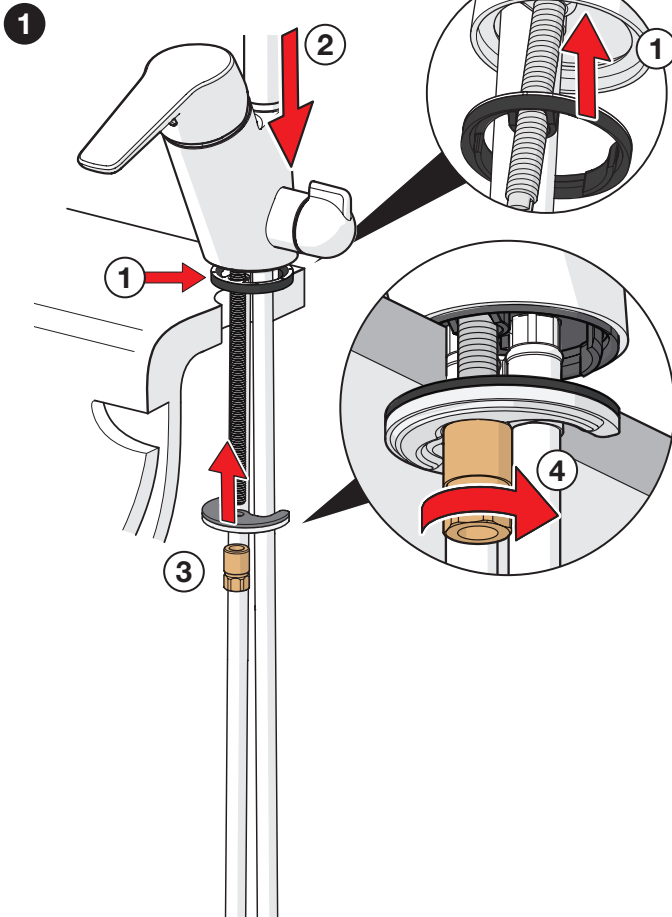
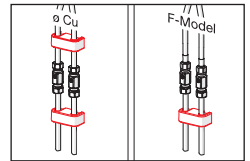
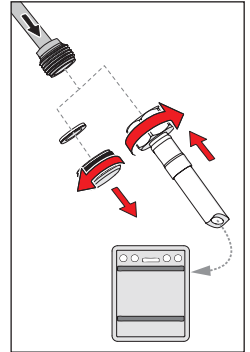
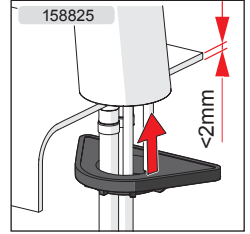
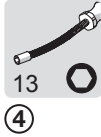
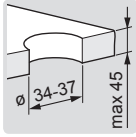
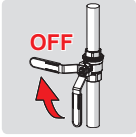
I (ISO 3822) Oras lab,
 EN 817
 50 - 1000 kPa
 0.078 l/s (Eco)
 0.13 l/s (300 kPa)
 180 kPa (0.1 l/s)
 max. +80°C

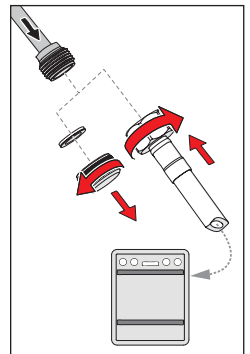
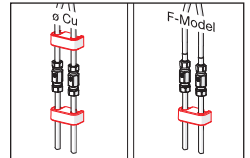
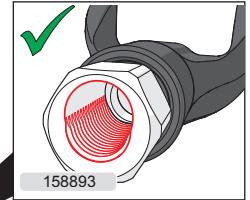
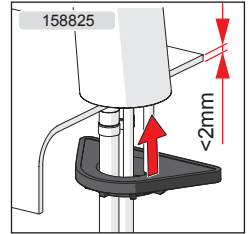
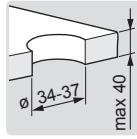
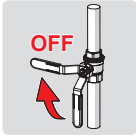
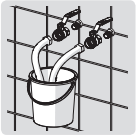


 1445 KIWA Sverige 1913 

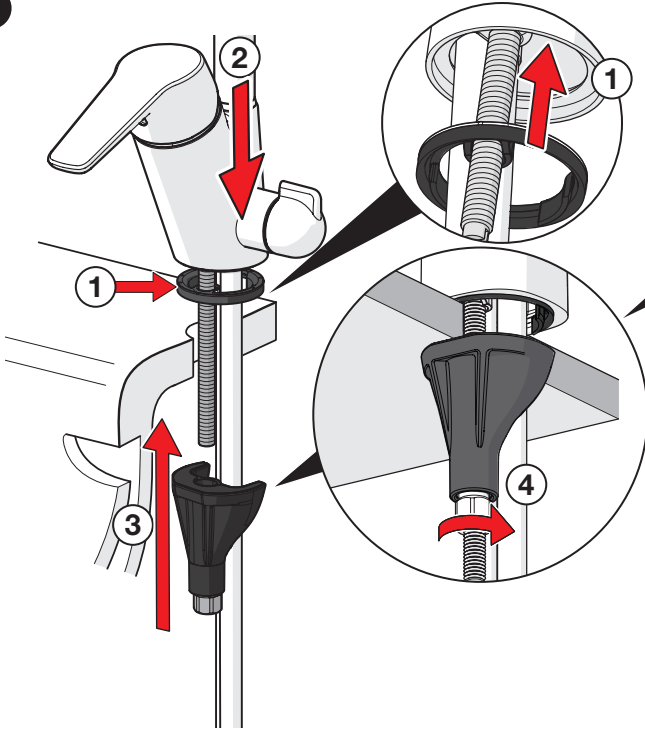


static.oras.com/1523F





1

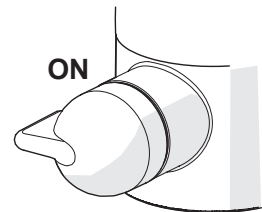
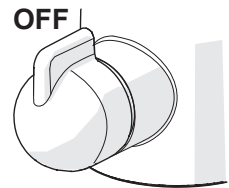
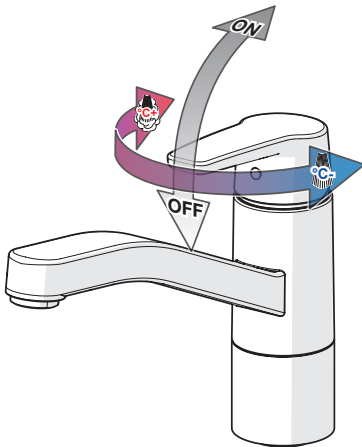
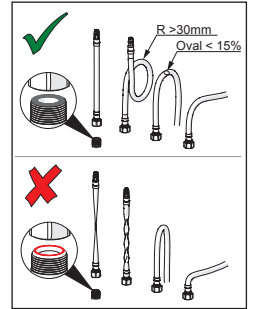
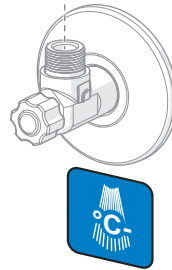
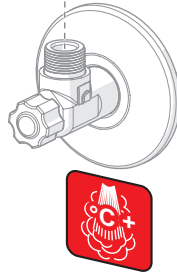
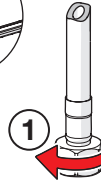
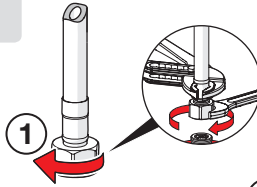


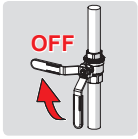


①

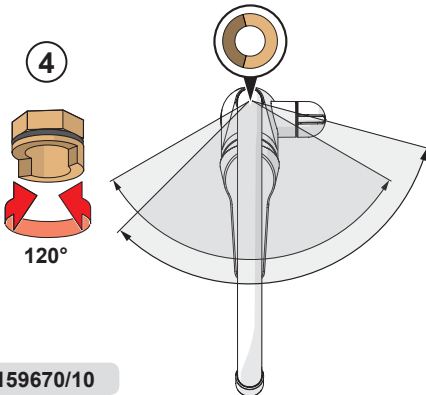
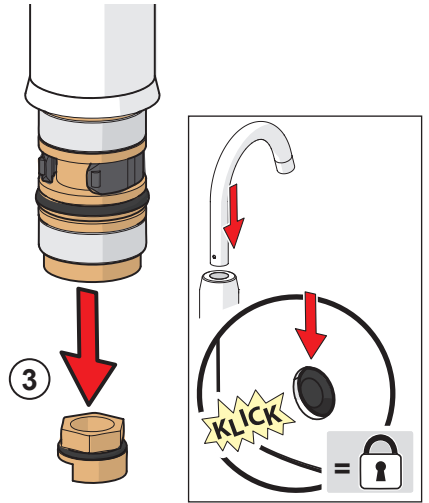
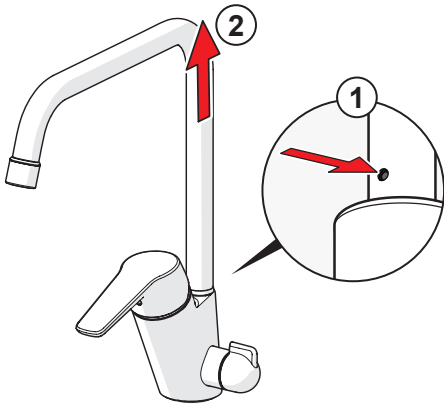


max.
1600 kPa

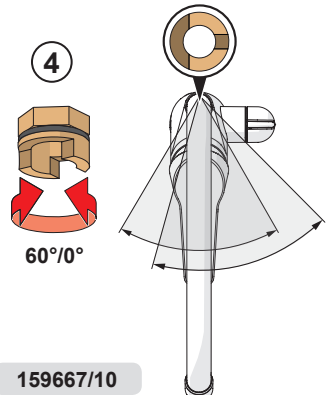




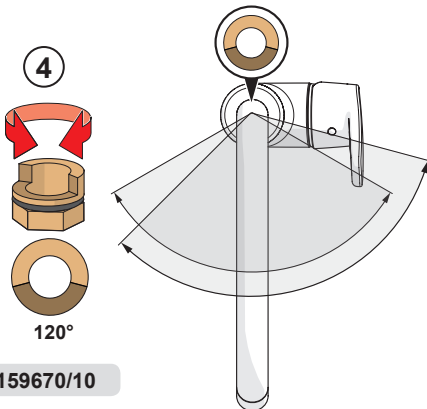
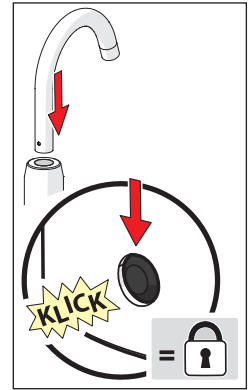
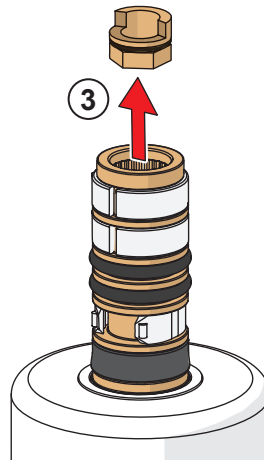
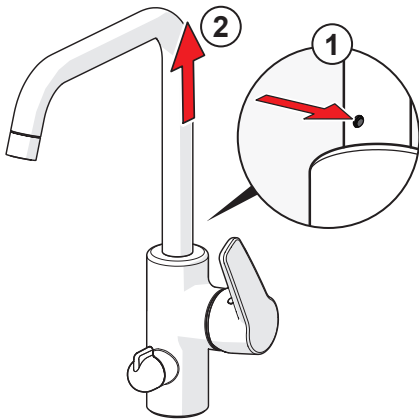
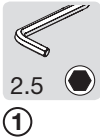
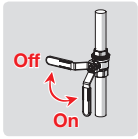
3



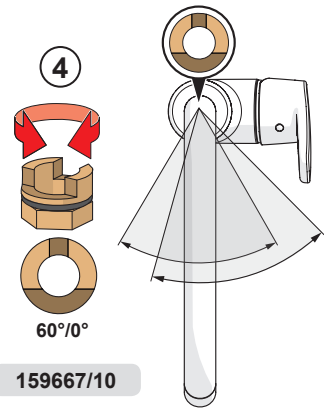
159670/10



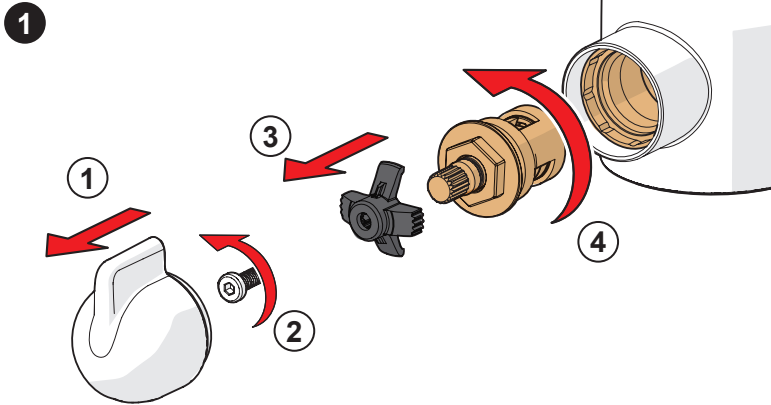
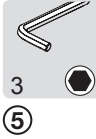
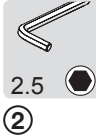
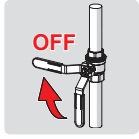
159667/10



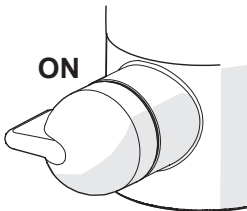
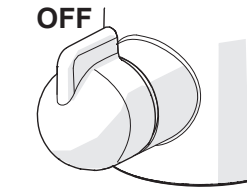
159670/10

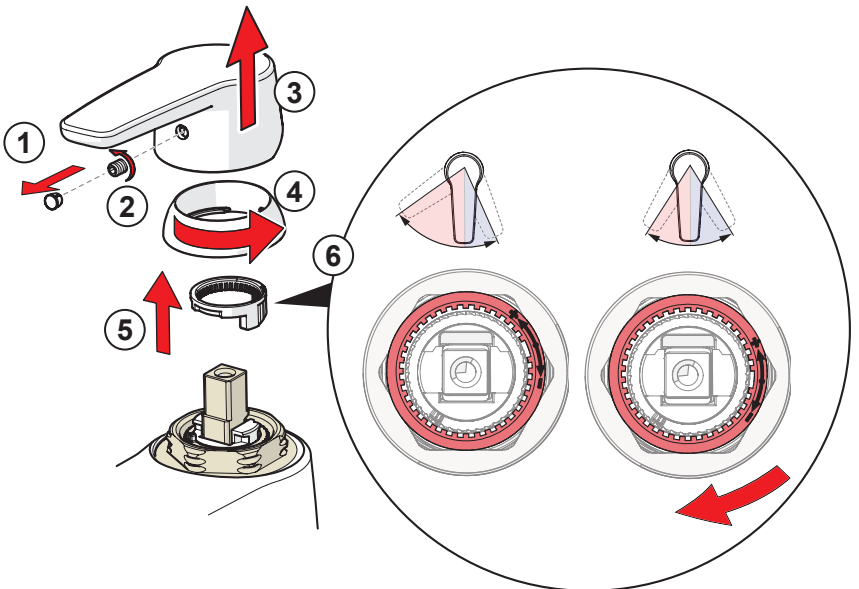
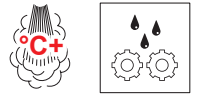
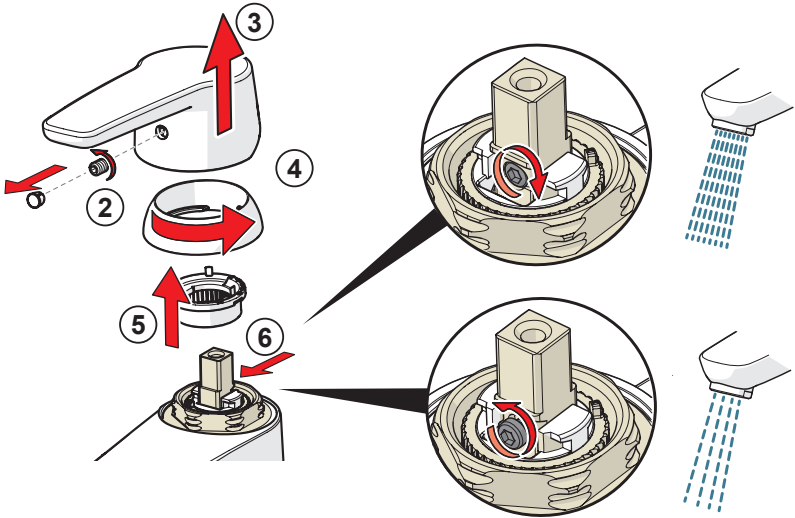
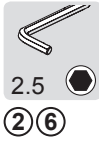


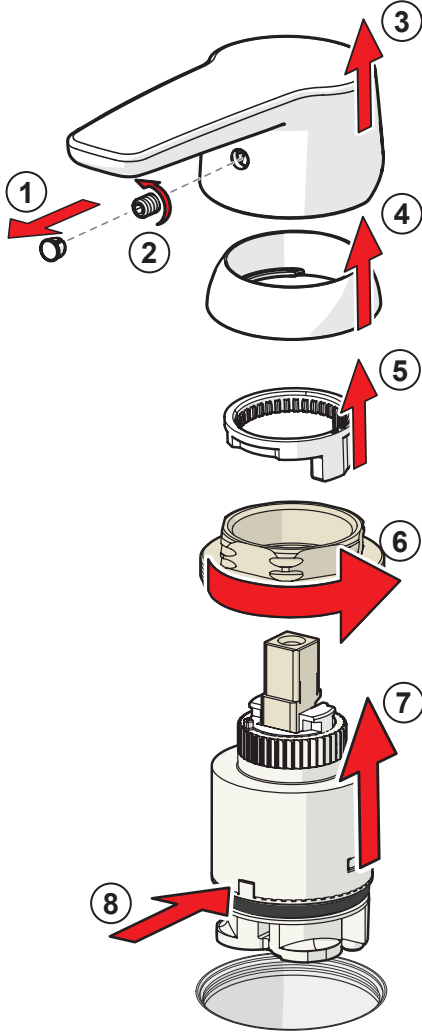
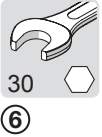
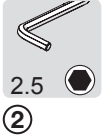
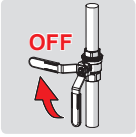
159667/10

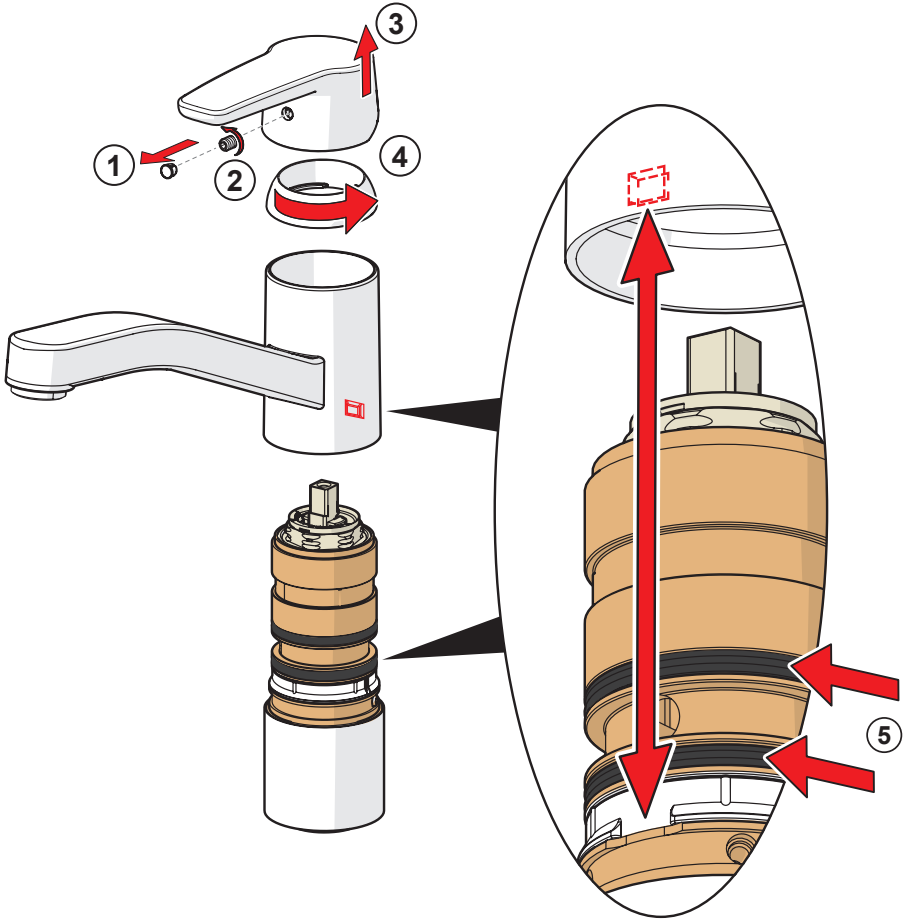
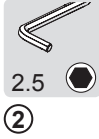
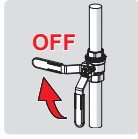


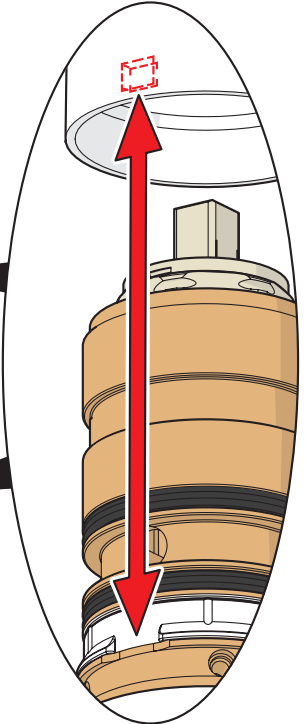
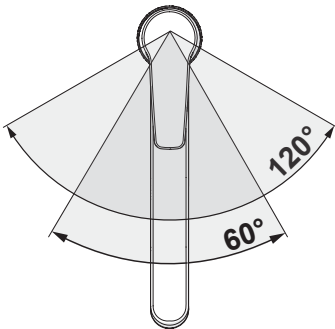
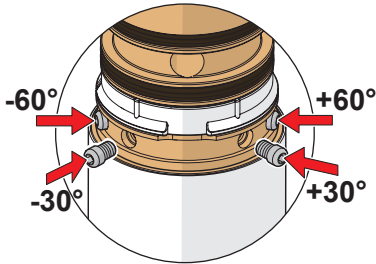
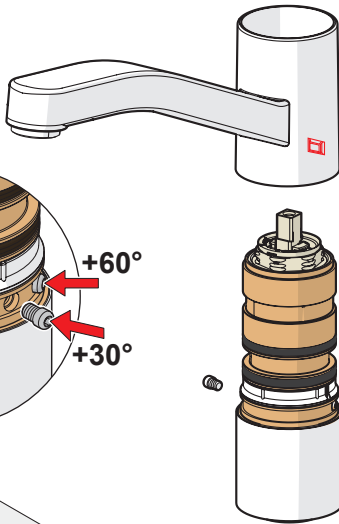
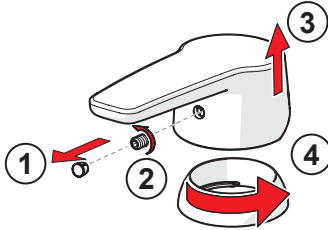
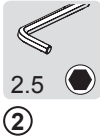
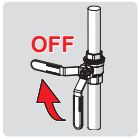
2

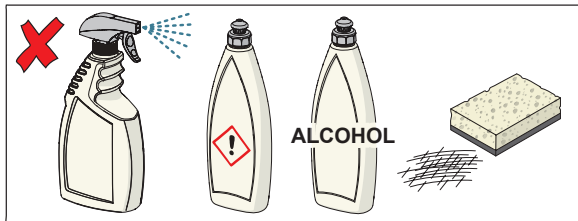
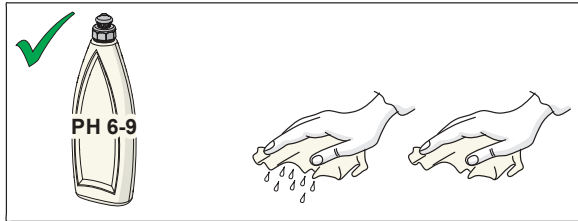
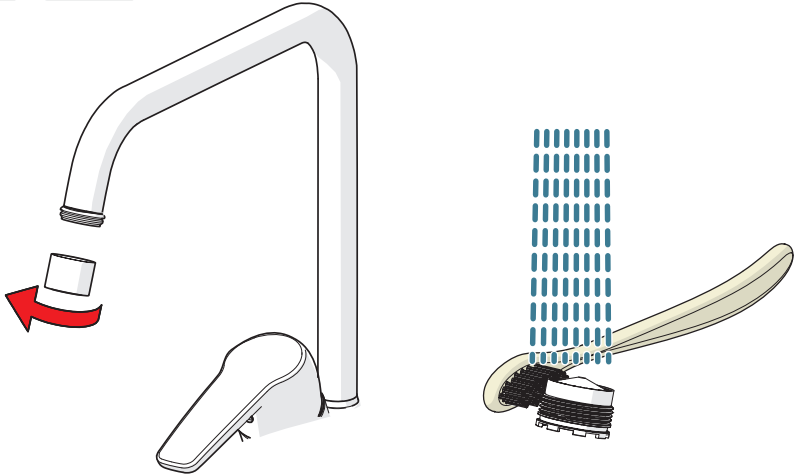










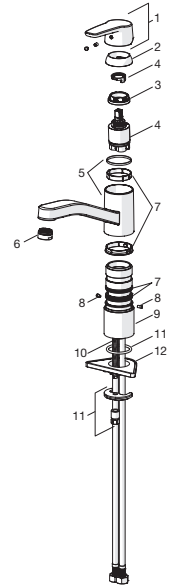


CLEANING.ORAS.COM



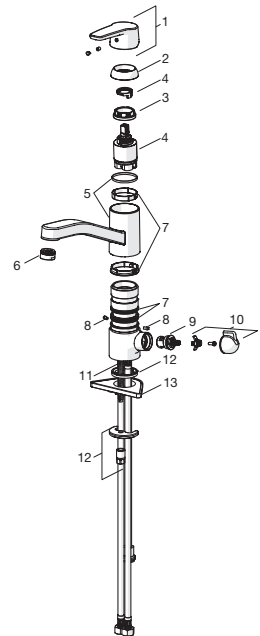
1530F

- 1 1003170V
- 2 601967V
- 3 601979V
- 4 602672V
- 5 1000832V
- 6 602673V
- 7 601983V
- 8 1000980/2
- 9 601982V
- 10 601970V
- 11 601985V
- 12 158825



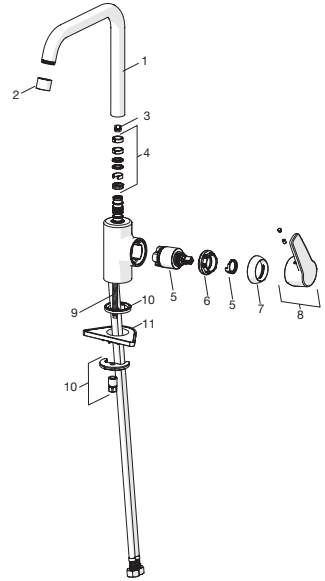
1535F

- 1 1003170V
- 2 601967V
- 3 601979V
- 4 602672V
- 5 1000832V
- 6 602673V
- 7 601983V
- 8 1000980/2
- 9 602600V
- 10 1005697V
- 11 601970V
- 12 601985V
- 13 158825



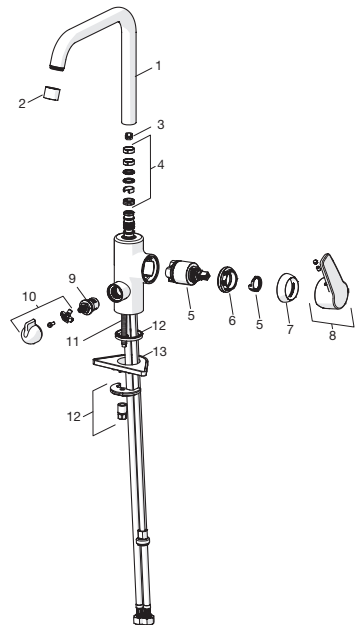
1531F

- | | | |
|----|-----------|--------|
| 1 | 1001049V | |
| 2 | 1003162V | |
| 3 | 159670/10 | 120° |
| 3 | 159667/10 | 0°/60° |
| 4 | 1001098V | |
| 5 | 602672V | |
| 6 | 601968V | |
| 7 | 601967V | |
| 8 | 1003171V | |
| 9 | 601970V | |
| 10 | 601985V | |
| 11 | 158825 | |



1536F

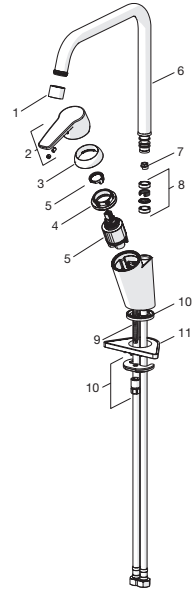
- | | | |
|----|-----------|--------|
| 1 | 1001049V | |
| 2 | 1003162V | |
| 3 | 159667/10 | 0°/60° |
| 3 | 159670/10 | 120° |
| 4 | 1001098V | |
| 5 | 602672V | |
| 6 | 601968V | |
| 7 | 601967V | |
| 8 | 1003171V | |
| 9 | 602600V | |
| 10 | 1005697V | |
| 11 | 601970V | |
| 12 | 601985V | |
| 13 | 158825 | |





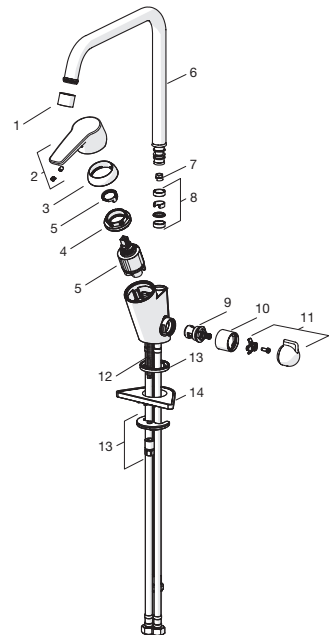
1533F

- 1 1003162V
- 2 1003170V
- 3 601967V
- 4 601968V
- 5 602672V
- 6 1000228V L=255
- 6 1003671V L=220
- 7 159670/10 120°
- 7 159667/10 60°/0°
- 8 198287V
- 9 601970V
- 10 601985V
- 11 158825



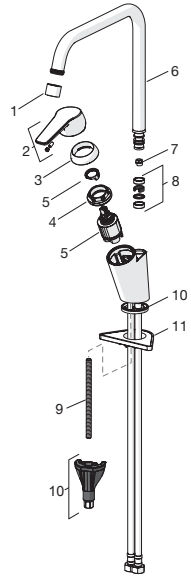
1534F, 1534F-106

- 1 1003162V
- 1 1001071V 1534F-106
- 2 1003170V
- 3 601967V
- 4 601968V
- 5 602672V
- 6 1006344V 1000228V ?????
- 7 159670/10 120°
- 7 159667/10 60°/0°
- 8 198287V
- 9 602600V
- 10 1000240V
- 11 1005697V
- 12 601970V
- 13 601985V
- 14 158825



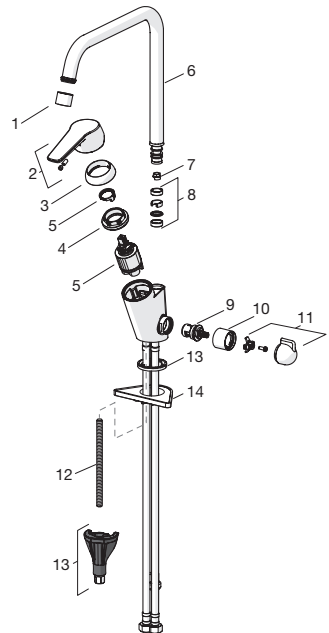
1533FL-106

- 1 1003162V
- 2 1002631V
- 3 601967V
- 4 601968V
- 5 602672V
- 6 1000228V
- 7 159667/10 60°/0°
- 7 159670/10 120°
- 8 198287V
- 9 1000780V
- 10 602610V
- 11 158825



1534FL-106

- 1 1003162V
- 2 1002631V
- 3 601967V
- 4 601968V
- 5 602672V
- 6 1000228V
- 7 159670/10 120°
- 7 159667/10 60°/0°
- 8 198287V
- 9 602600V
- 10 1000240V
- 11 1005697V
- 12 1000780V
- 13 602610V
- 14 158825



Oras Group is a powerful European provider of sanitary fittings: the market leader in the Nordics and a leading company in Continental Europe. The company's mission is to make the use of water easy and sustainable and its vision is to become the European leader of advanced sanitary fittings. Oras Group has two strong brands, Oras and Hansa.

The head office of the Group is located in Rauma, Finland, and the Group has three manufacturing sites: Kralovice (Czech Republic), Olesno (Poland) and Rauma (Finland). Oras Group employs approximately 1400 people in twenty countries. Oras Group is owned by Oras Invest, a family company and an industrial owner.

ORAS LTD
Isometsäntie 2, P.O. Box 40
FI-26101 Rauma
Tel. +358 2 83 161
Fax +358 2 831 6300
info.finland@oras.com
www.oras.com

