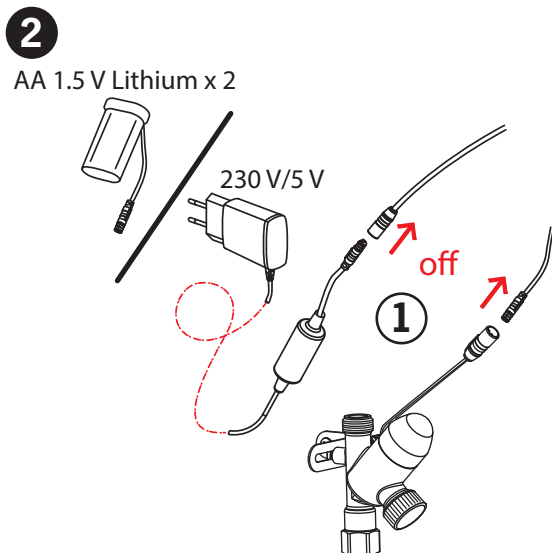
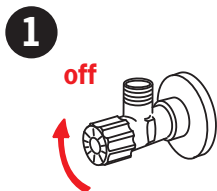


601223V, 601224V, 601226V, 601227V



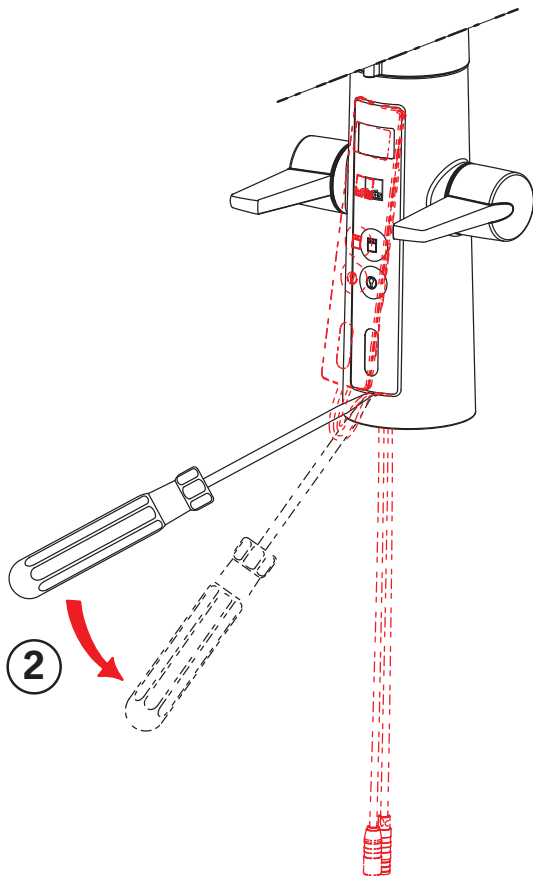
ORAS GROUP
Isometsäntie 2
P.O. Box 40
FI-26101 Rauma
Finland
Tel. +358 2 83 161
Fax +358 2 831 6300
Info.Finland@oras.com



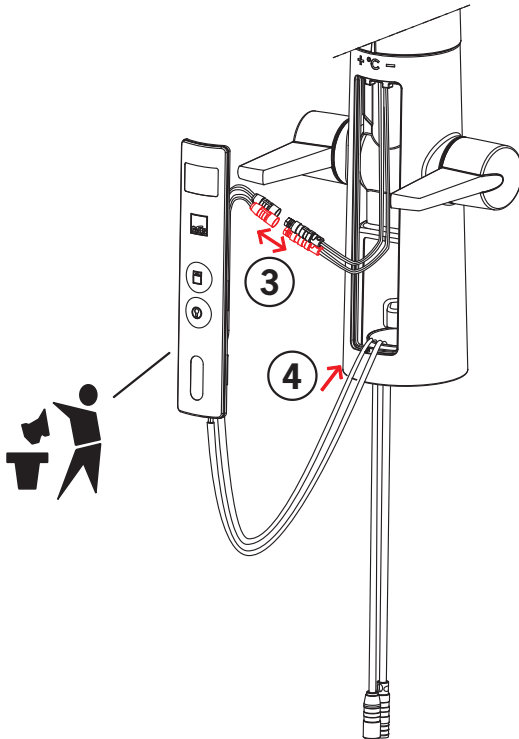
943123/05/14

www.oras.com

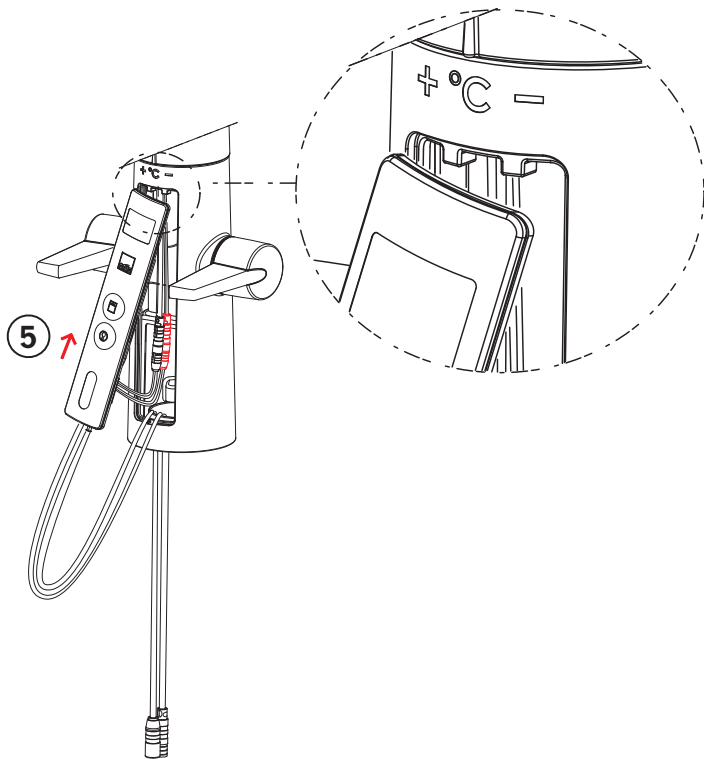
3



4

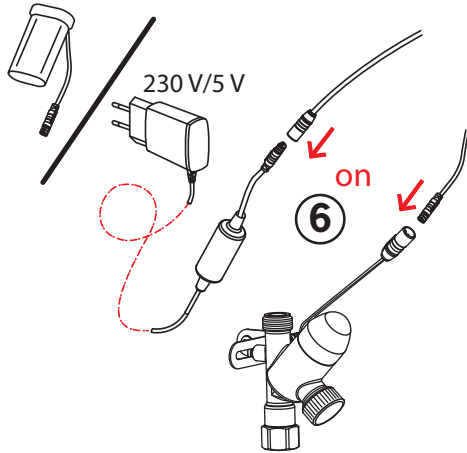


5

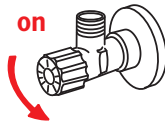


6

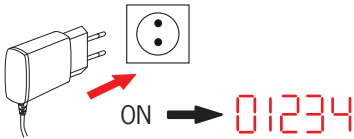
AA 1.5 V Lithium x 2



7



8



	Afterflow period (touchless function)	Max. flow period	Automatic flush	Automatic flush period	ON / OFF
	P1	P2	P3	P4	P5
U1	2 s	10 s	0	10 s	OFF
U2	4 s	40 s	12 h	30 s	ON
U3	8 s	60 s	24 h	60 s	-
U4	10 s	120 s	48 h	120 s	-
U5	20 s	180 s	72 h	180 s	FS

FS = Factory Settings

