



# Oras Electra

PLANNING AND WORKING GUIDE

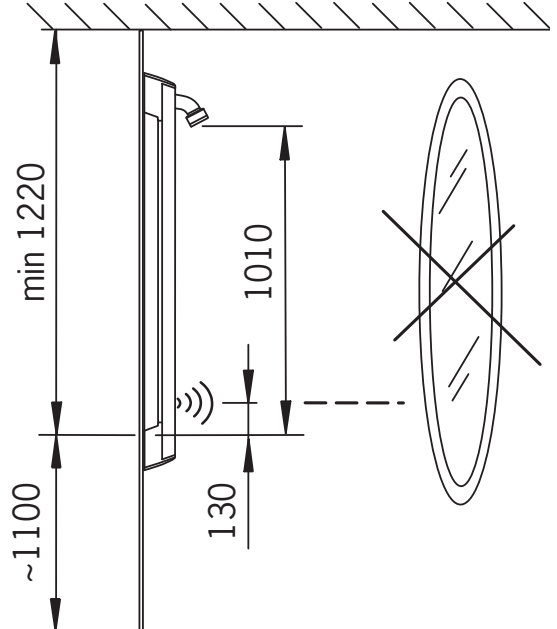
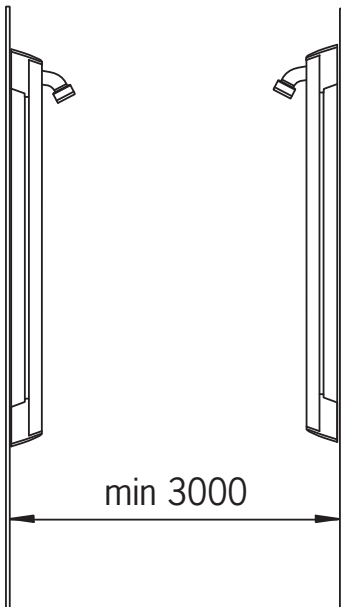


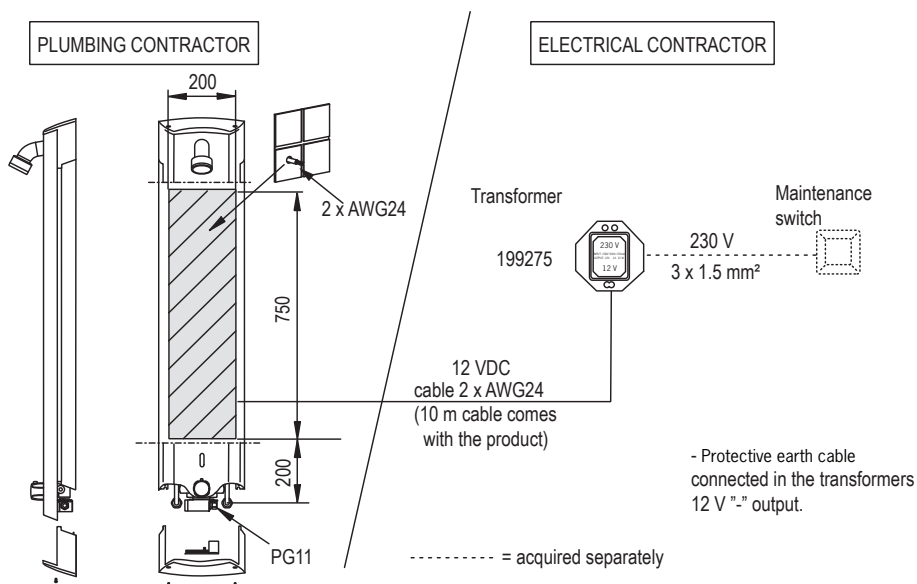
6661FTW, 6661STW  
6662FTW, 6662STW  
6664FTW, 6664STW





Product nr	6661FTW	6661STW	6662FTW	6662STW	6664FTW	6664STW
Temperature regulator	-	-	X	X	X	X
Pre-mixed water	X	X	-	-	-	-
Handshower	-	-	X	X	-	-
Water connection above	-	X	-	X	-	X
Water connection inside the panel	X	-	X	-	X	-
Pressure loss 0.2 l/s (without flow controller)	120 kPa	120 kPa	250 kPa	250 kPa	190 kPa	190 kPa
Flow-rate at 300 kPa (with flow controller)	0.195 l/s	0.195 l/s	0.17 l/s	0.17 l/s	0.18 l/s	0.18 l/s
Flow-rate at 300 kPa (without flow controller)	0.315 l/s	0.315 l/s	0.22 l/s	0.22 l/s	0.25 l/s	0.25 l/s





## Design instructions

### HVAC-designer

- marks on his plans the locations of sanitary wear to be wired (and the types)
- together with the electrical designer, goes through the required cablings and maintenance switch and transformer that need to be purchased

### Electrical designer

- marks on his plans the locations for the maintenance switch and transformer and the locations of appliance boxes for them
- marks on his plans the locations for the power sourcing cable
- installs the transformer on dry spaces
- marks on his plans the wirings from the group centre to the maintenance switch and transformer
- marks on his plans the wiring between the transformer and the sanitary wear (2 x AWG24, over 10 meter cables 2 x AWG20)
- the maintenance switch is installed in a location where it can be easily used during maintenance work, however in a locked location.

## Work instructions

### Stage 1

**An electrical contractor must procure and install:**

- transformer and service switch
- plumb and/or wire the maintenance switch and the transformer
- plumb and/or wire the appliance boxes from transformer to the shower panel (2 x AWG24, over 10 meter cables 2 x AWG20)
- clarifies the exact location of electrical pipe in the lined area in the picture above.

### Stage 2

**A plumbing contractor must procure and install:**

- the shower panel and the needed connectors for attaching the equipment to the plumbing

### Stage 3

**An electrical contractor must:**

- Connect the wiring for the shower panel in the appliance box

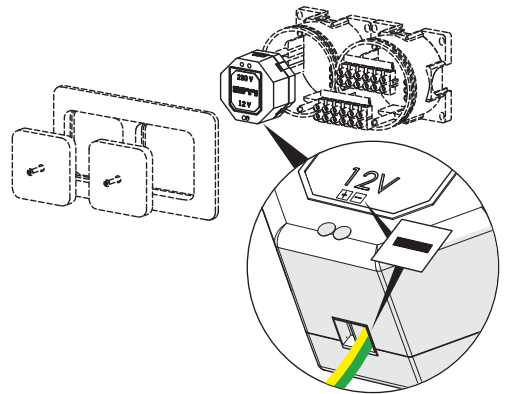
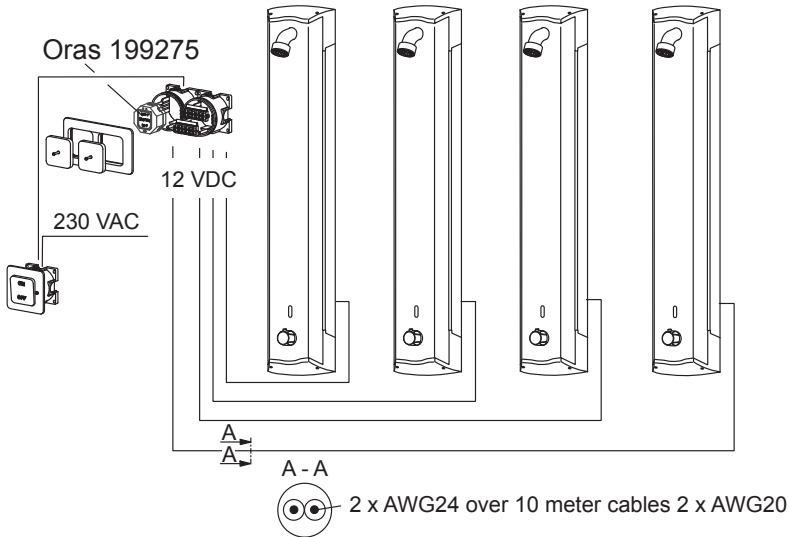
### Stage 4

**The plumbing contractor must**

- test-use the shower panel

## Installation example

1...4



### Hints for successful installation:

- the shower panels on opposite walls are recommended to be installed overlapping with the width of a shower panel (275 mm).
- considering cleaning and maintenance works, it is recommended that at least two transformers with maintenance switches are used per space.
- use standard appliance boxes, e.g. Ensto AU3.2, Strömfors JR00
- should the space have more than one shower panels, it is recommended that at least one of them is installed lower (20-30 cm) than the others; this way the children and for example those who are sitting can use the shower panel without unnecessary closing of water flow.
- it is recommended that one lever/thermostat faucet is installed for cleaning and taking of steam water.





Oras Group is a powerful European provider of sanitary fittings: the market leader in the Nordics and a leading company in Continental Europe. The company's mission is to make the use of water easy and sustainable and its vision is to become the European leader of advanced sanitary fittings. Oras Group has two strong brands: Oras and Hansa.

The Group's head office is located in Rauma, Finland, and the Group has three manufacturing sites: Kralovice (Czech Republic), Olesno (Poland) and Rauma (Finland). Oras Group employs approximately 1,200 people in twenty countries. Oras Group is owned by Oras Invest, a family company and an industrial owner.

ORAS GROUP

Isometsäntie 2, P.O. Box 40

FI-26101 Rauma

Tel. +358 2 83 161

Fax +358 2 831 6300

info.finland@oras.com

www.oras.com

