



Oras Bluebox

Installation and maintenance guide





4

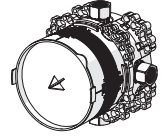
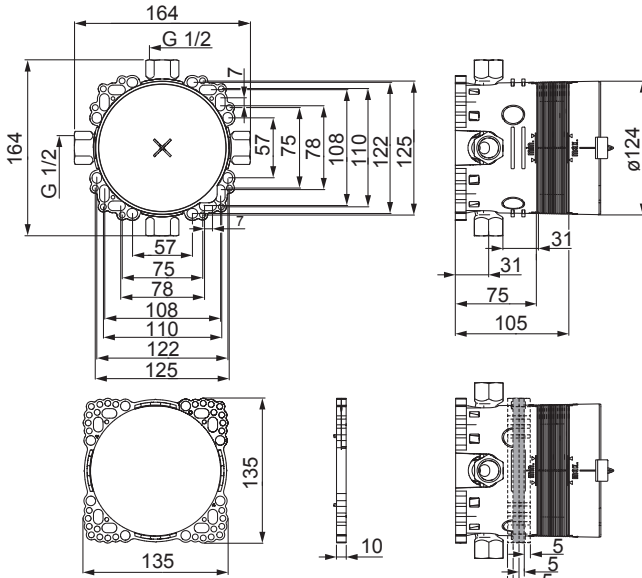


5-15



2080

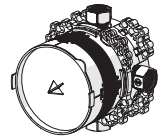
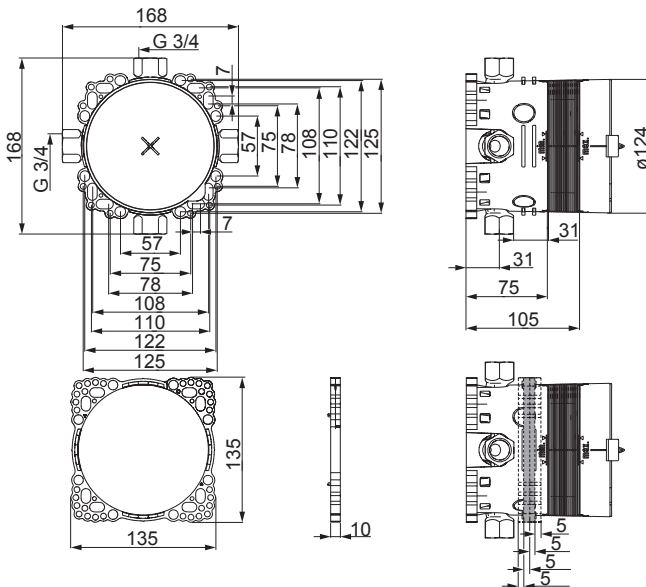
50 - 1000 kPa
max. +90°C



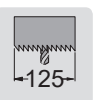
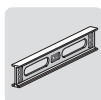
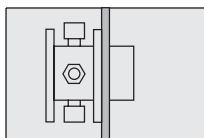
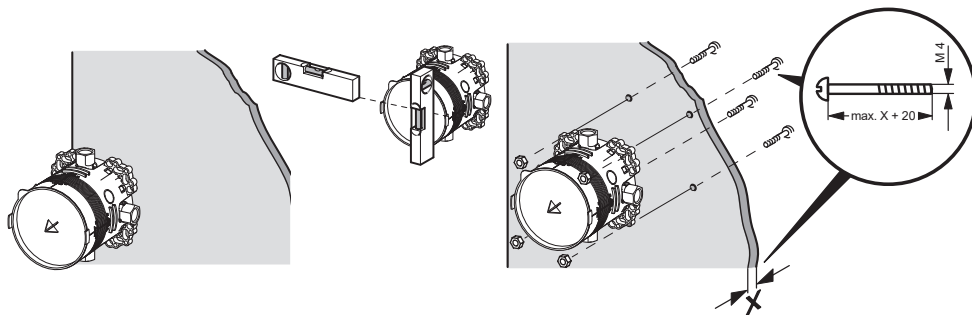
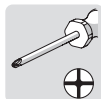
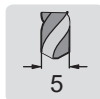
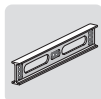
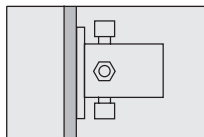
mpi.oras.com/2080

2081

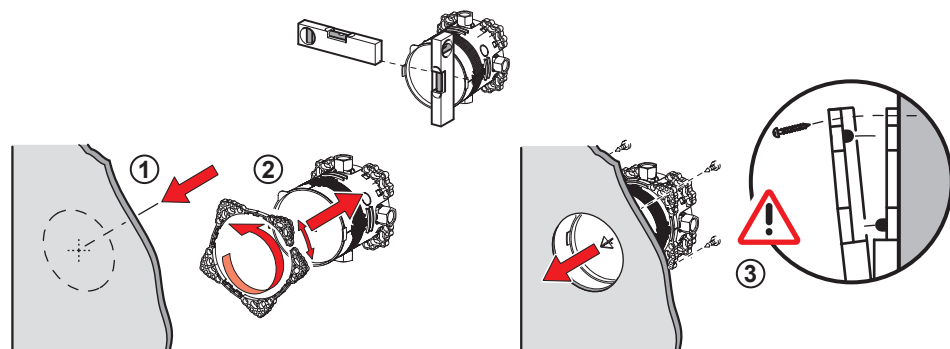
50 - 1000 kPa
max. +90°C

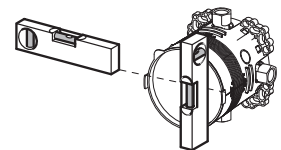
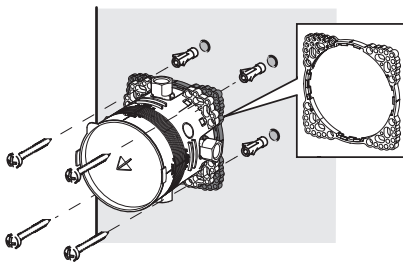
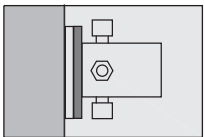
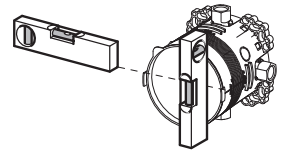
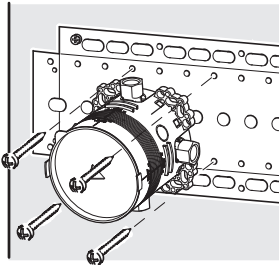
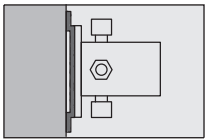
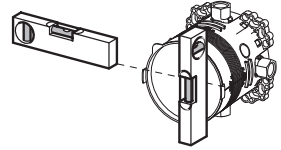
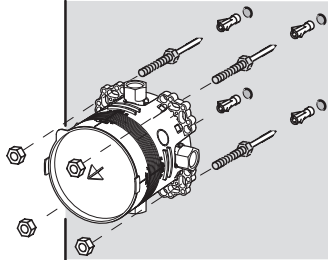
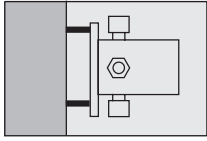


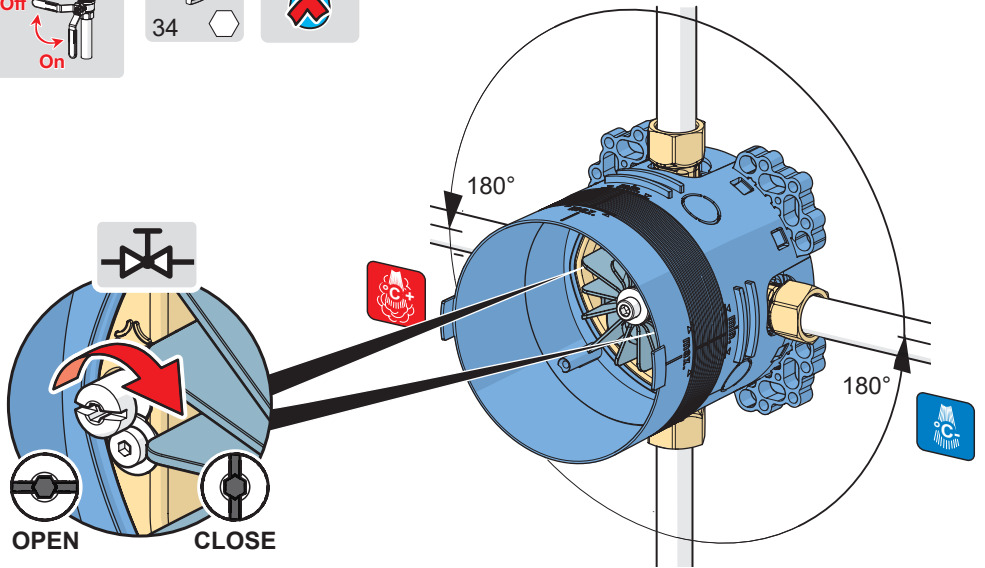
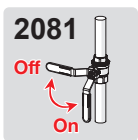
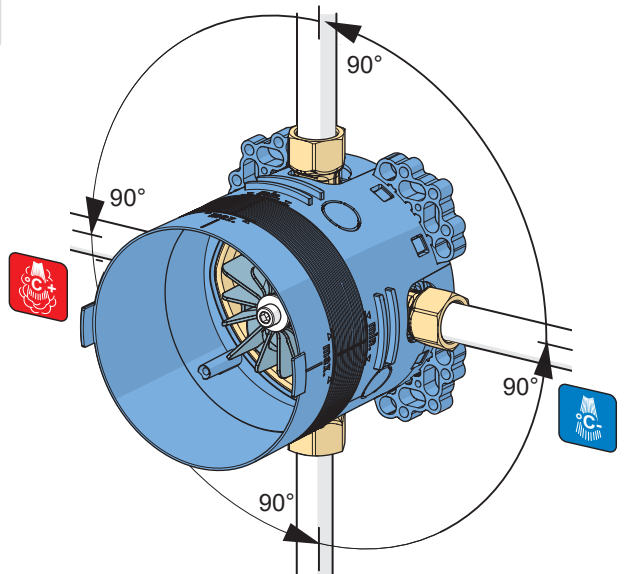
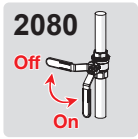
mpi.oras.com/2081

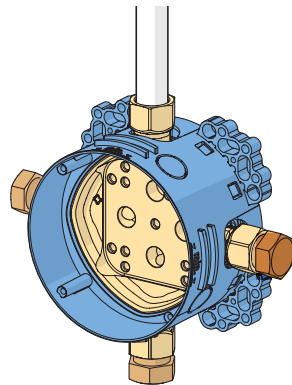
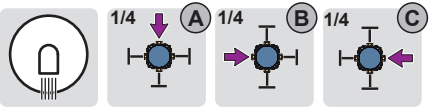
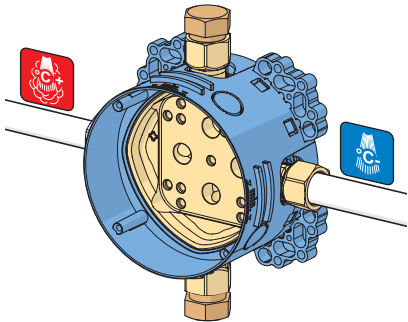
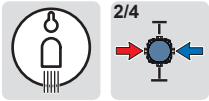
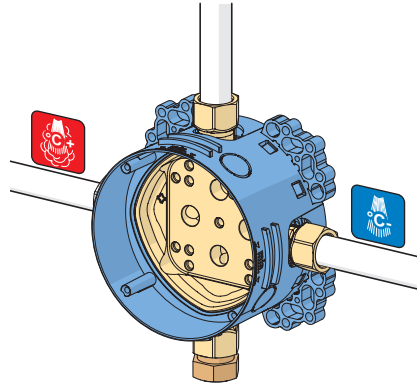
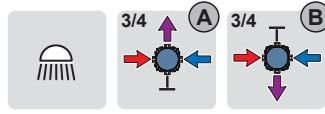
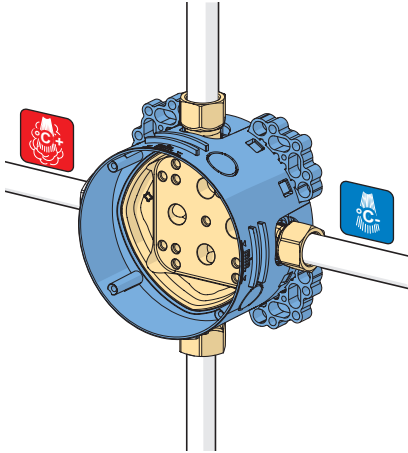
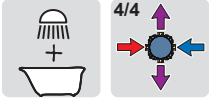


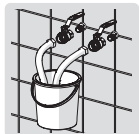
①



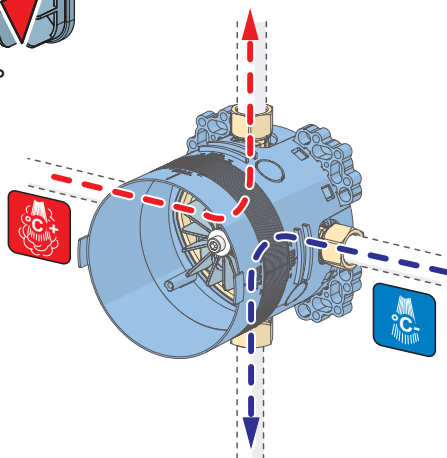
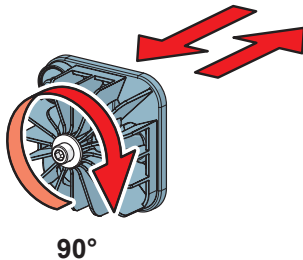
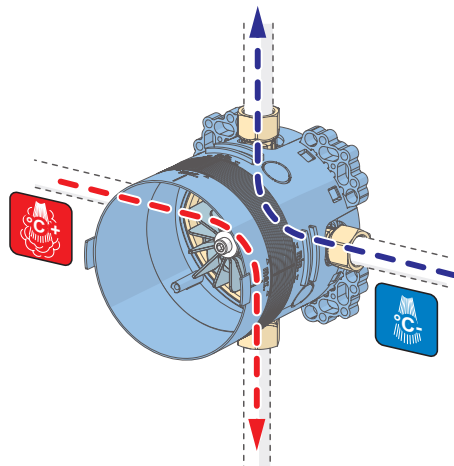
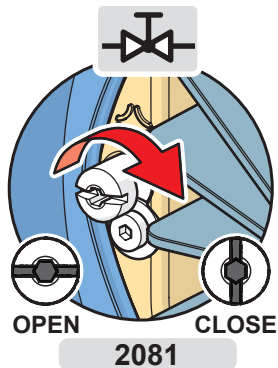




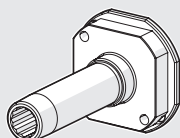




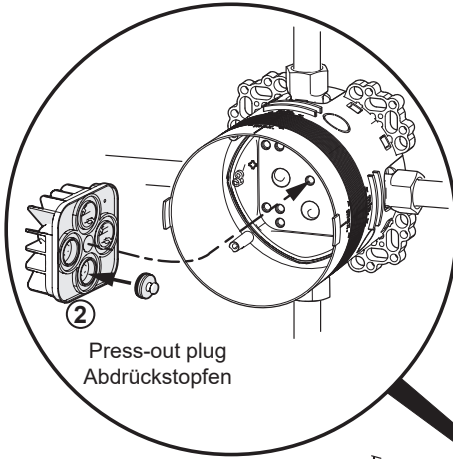
EN 1717
EN 806



602647V



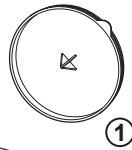
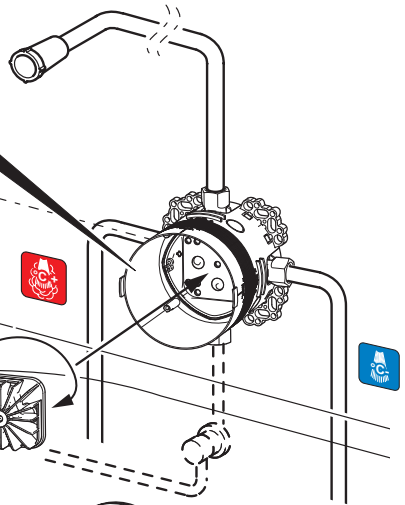
Rinsing tube

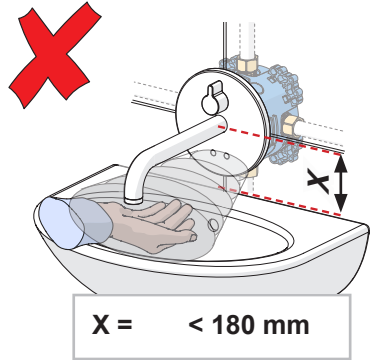
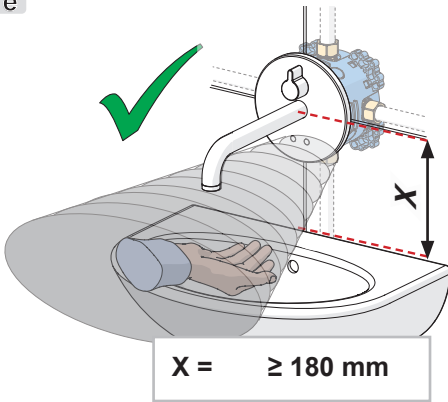


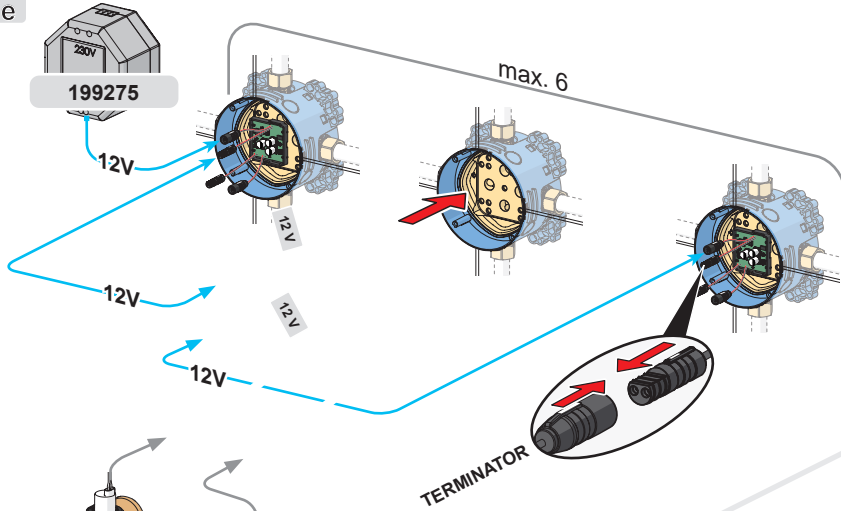
Press-out plug
Abdrückstopfen



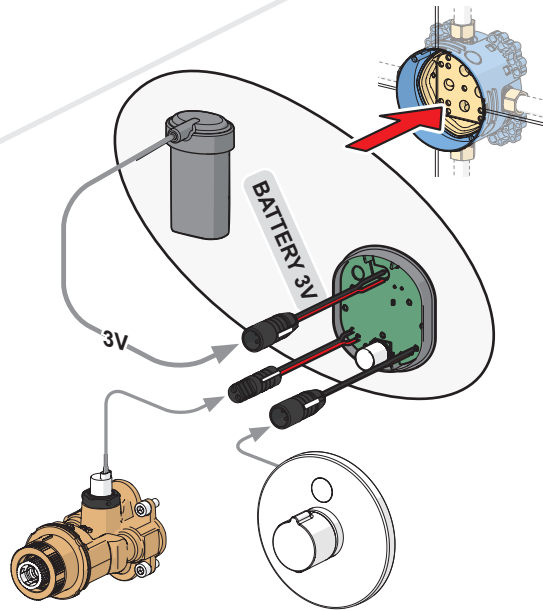
min. 240 mm



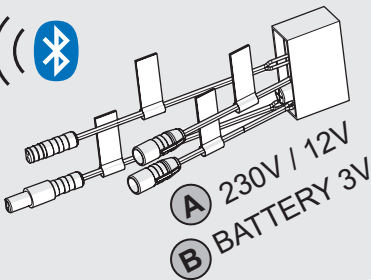


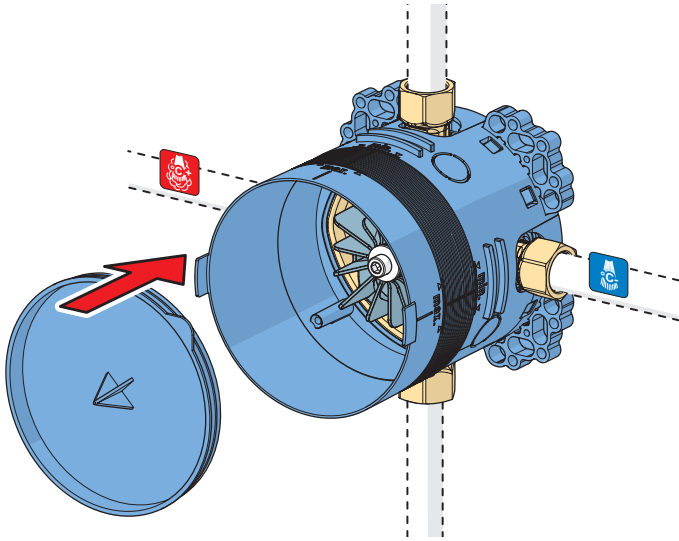


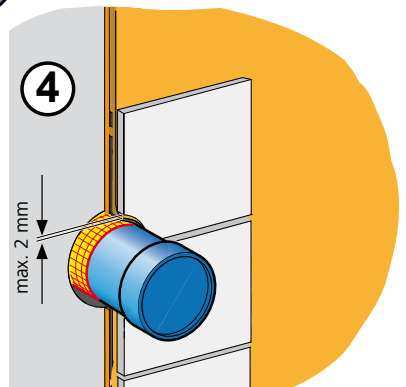
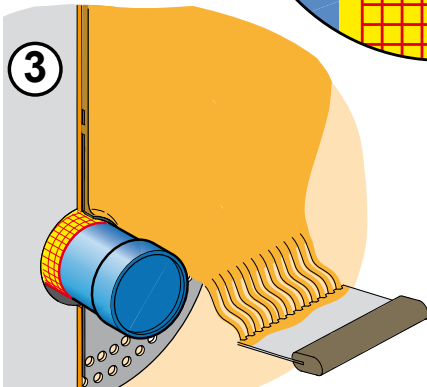
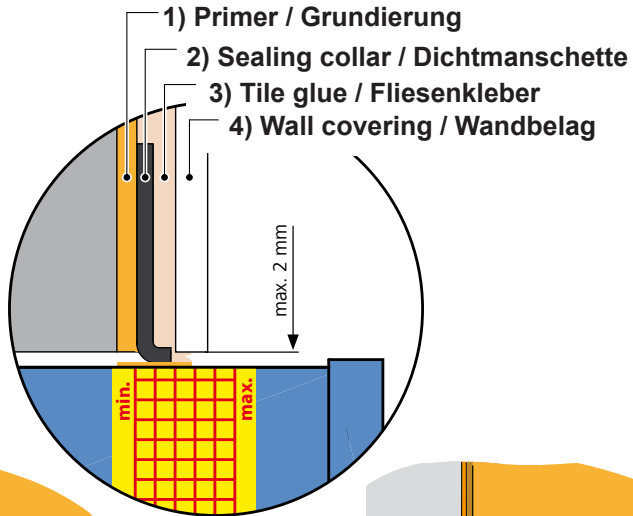
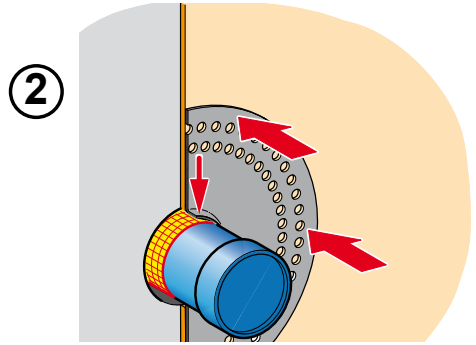
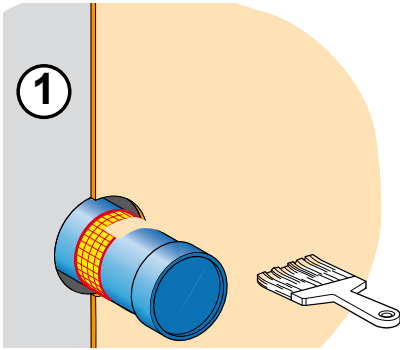
- A 230V / 12V
- B BATTERY 3V



Bluetooth®







Oras Group is a powerful European provider of sanitary fittings: the market leader in the Nordics and a leading company in Continental Europe. The company's mission is to make the use of water easy and sustainable and its vision is to become the European leader of advanced sanitary fittings. Oras Group has two strong brands: Oras and Hansa.

The Group's head office is located in Rauma, Finland, and the Group has three manufacturing sites: Kralovice (Czech Republic), Olesno (Poland) and Rauma (Finland). Oras Group employs approximately 1,200 people in twenty countries. Oras Group is owned by Oras Invest, a family company and an industrial owner.

ORAS Ltd
Isometsäntie 2, P.O. Box 40
FI-26101 Rauma
Tel. +358 2 83 161
Fax +358 2 831 6300
info.finland@oras.com
www.oras.com



943243-01-22