



Oras

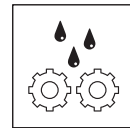
Installation and maintenance guide



5-12



13



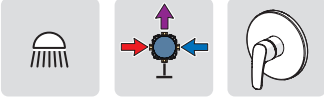
14-15



4, 16-17

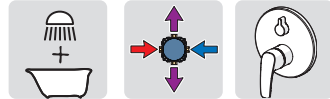
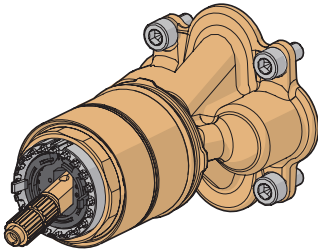


18



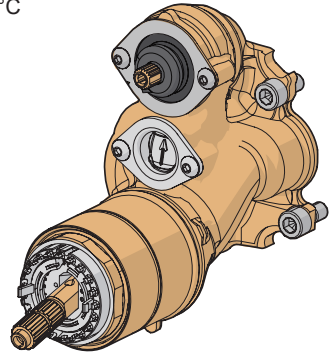
1019378V

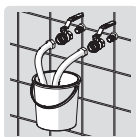
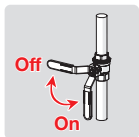
EN 817
100 - 1000 kPa
max. +90°C



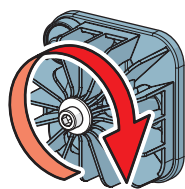
1018461V

EN 817
100 - 1000 kPa
max. +90°C

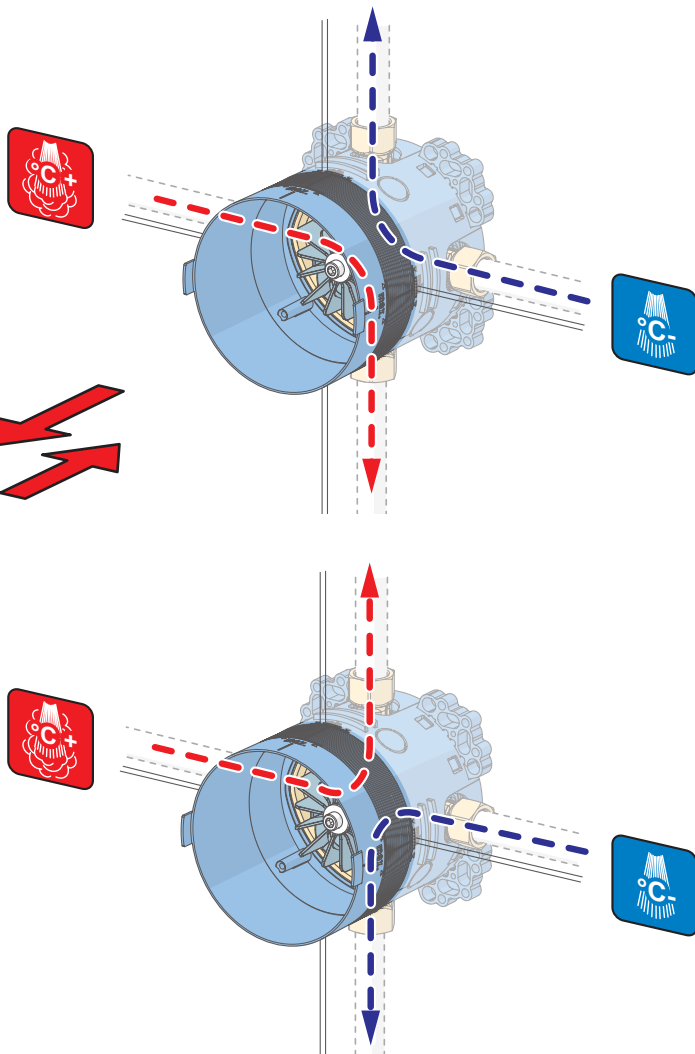




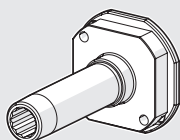
EN 1717
EN 806-5



90°



602647V

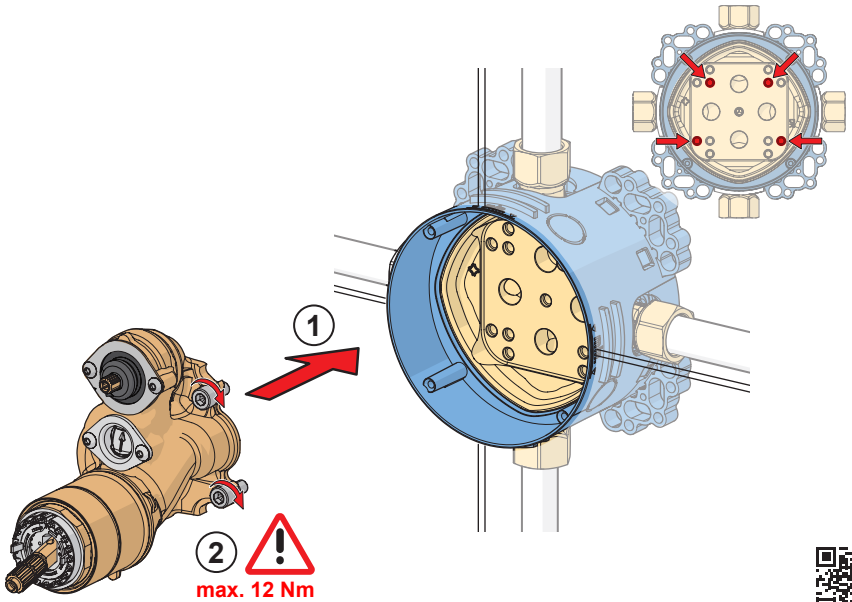
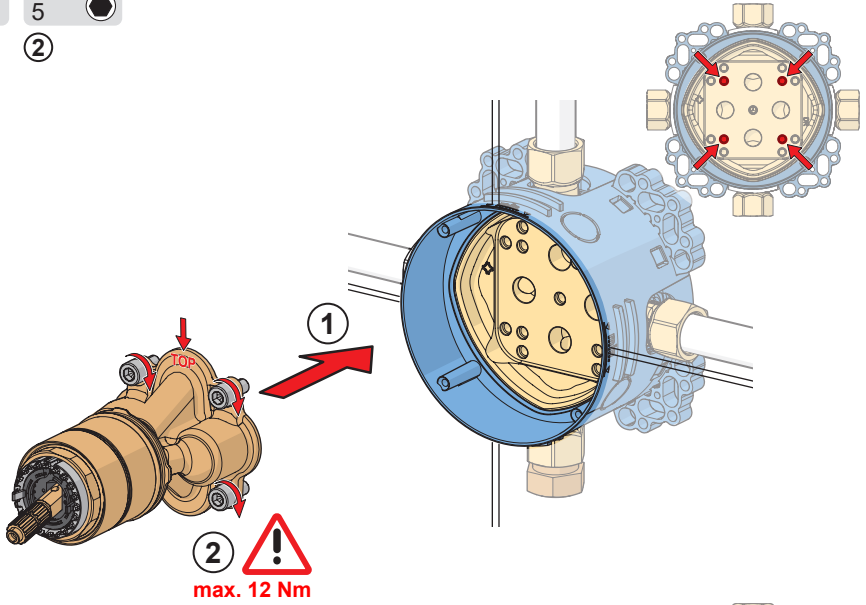


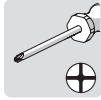
Rinsing tube



2

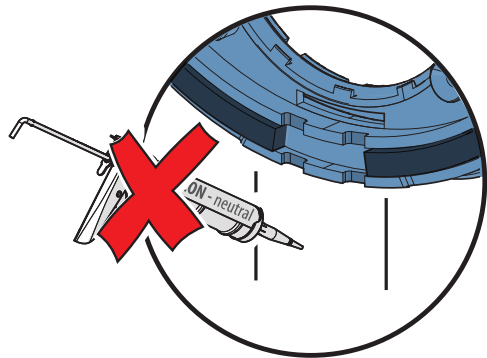
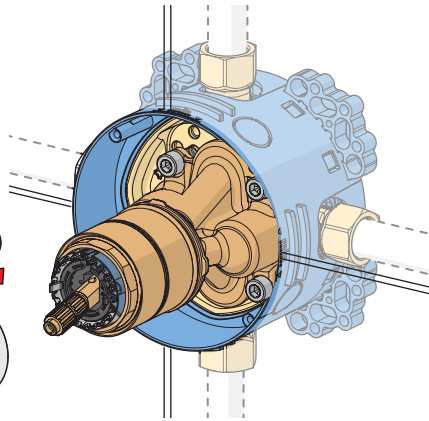
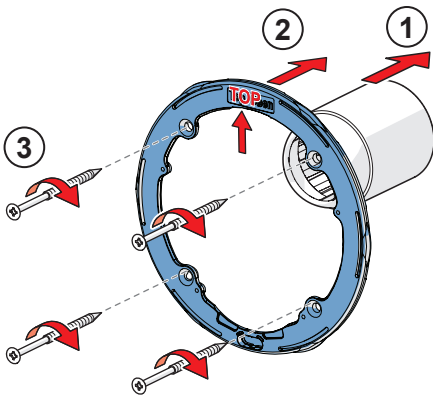
2

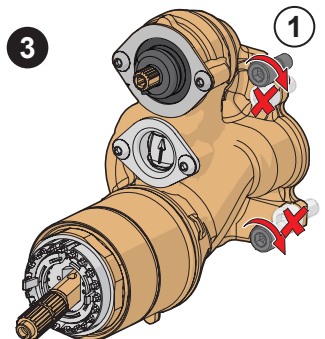
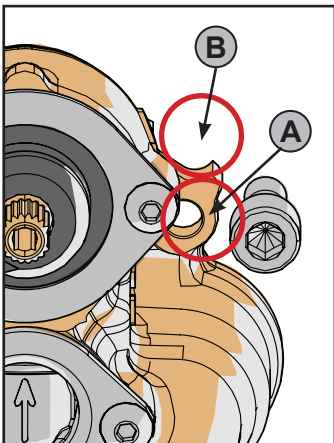
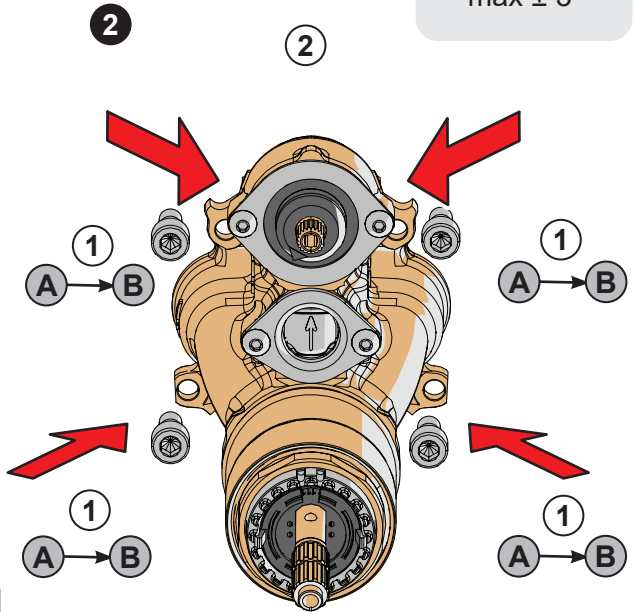
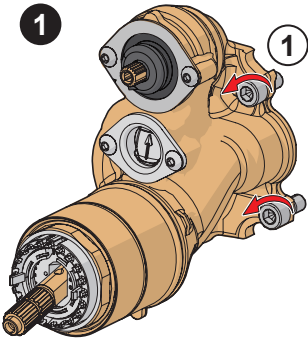
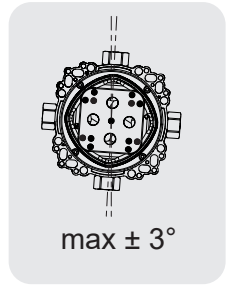
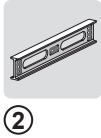
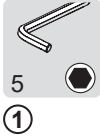
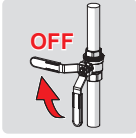




3

3

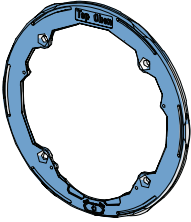




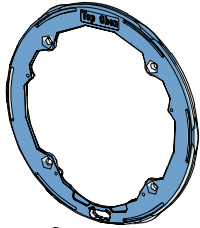


5

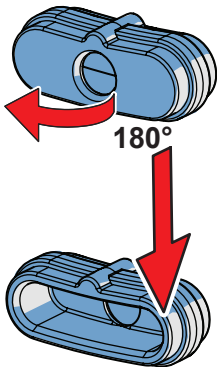
1



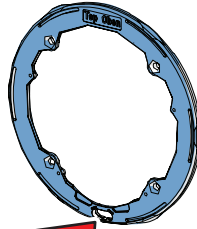
2



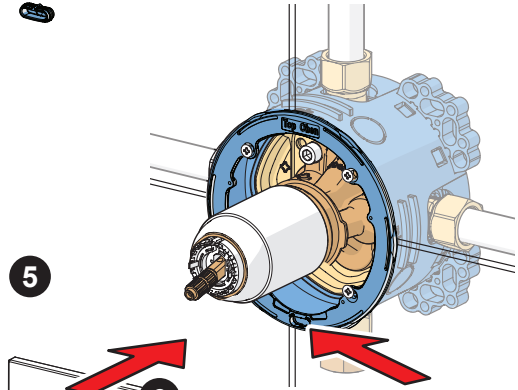
3



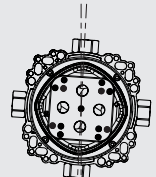
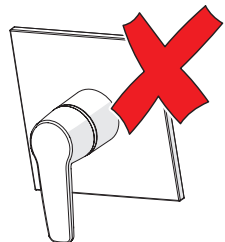
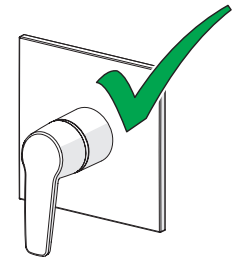
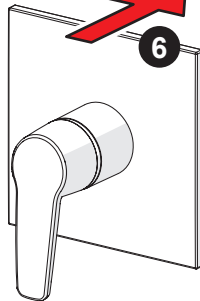
4



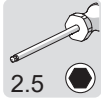
5



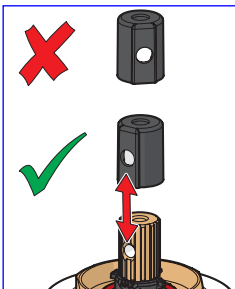
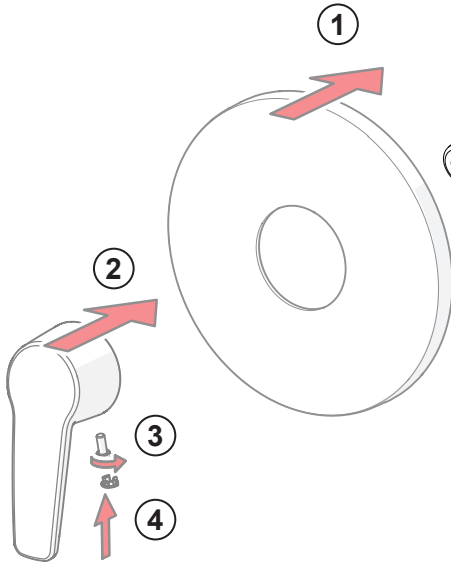
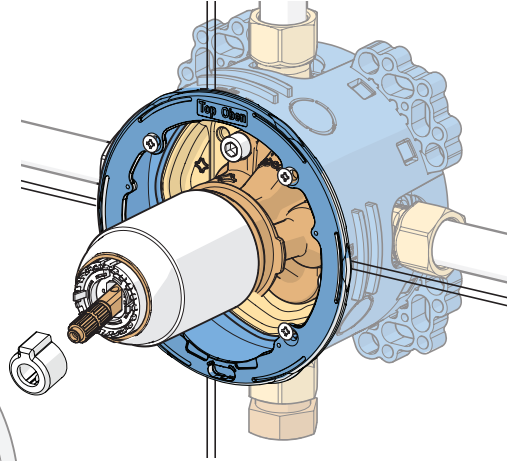
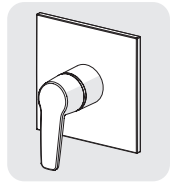
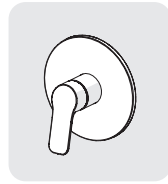
6



max $\pm 3^\circ$

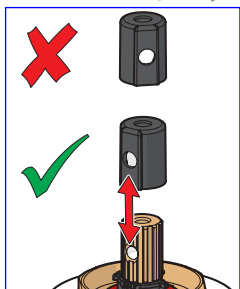
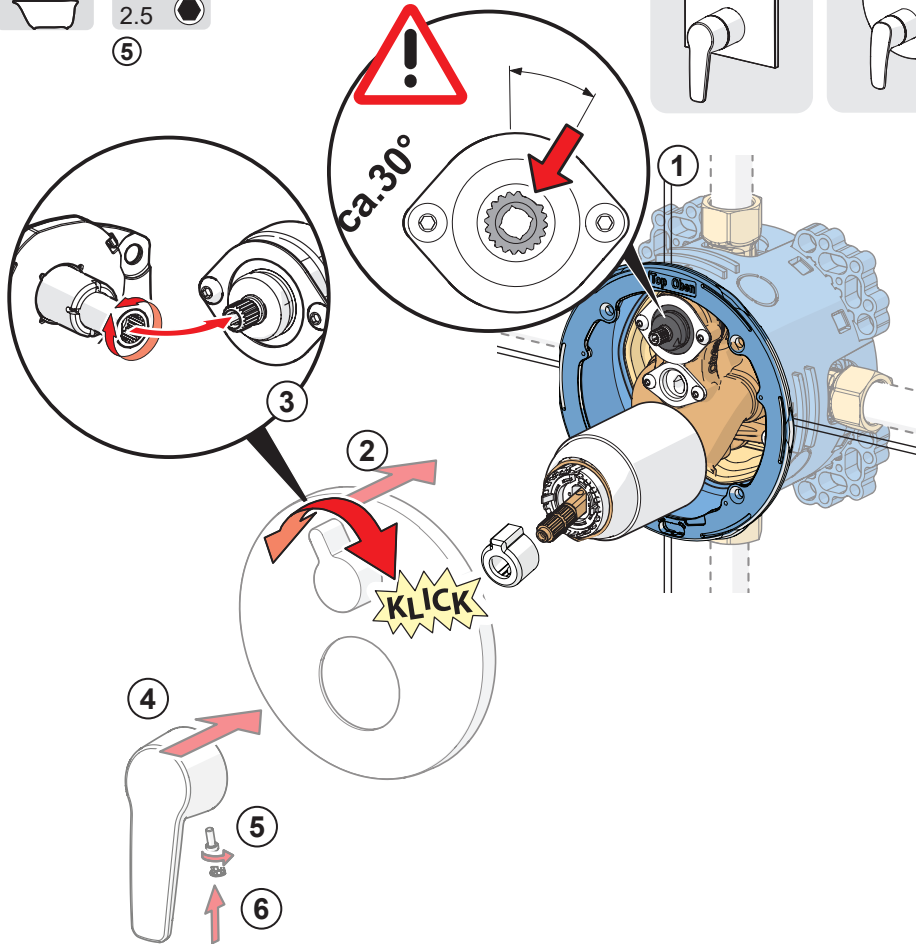
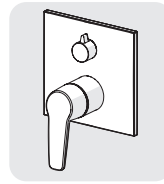


③

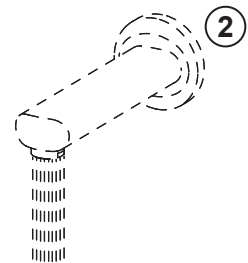
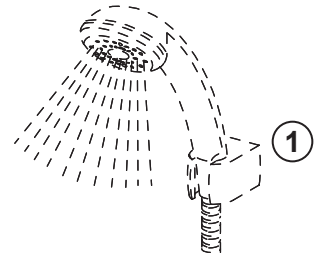
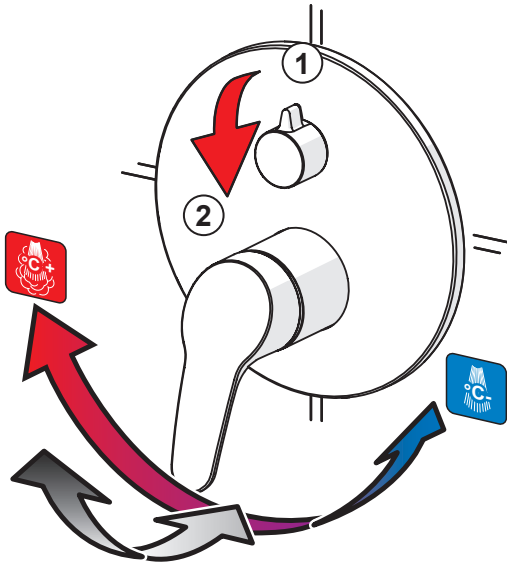
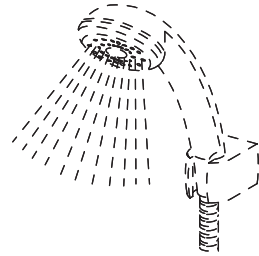
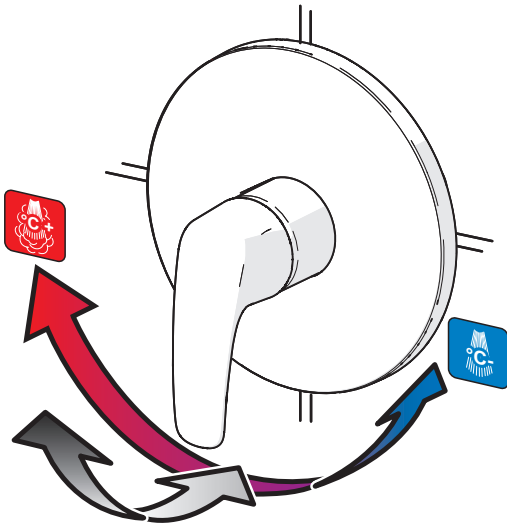


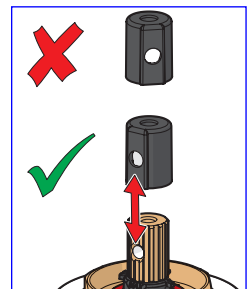
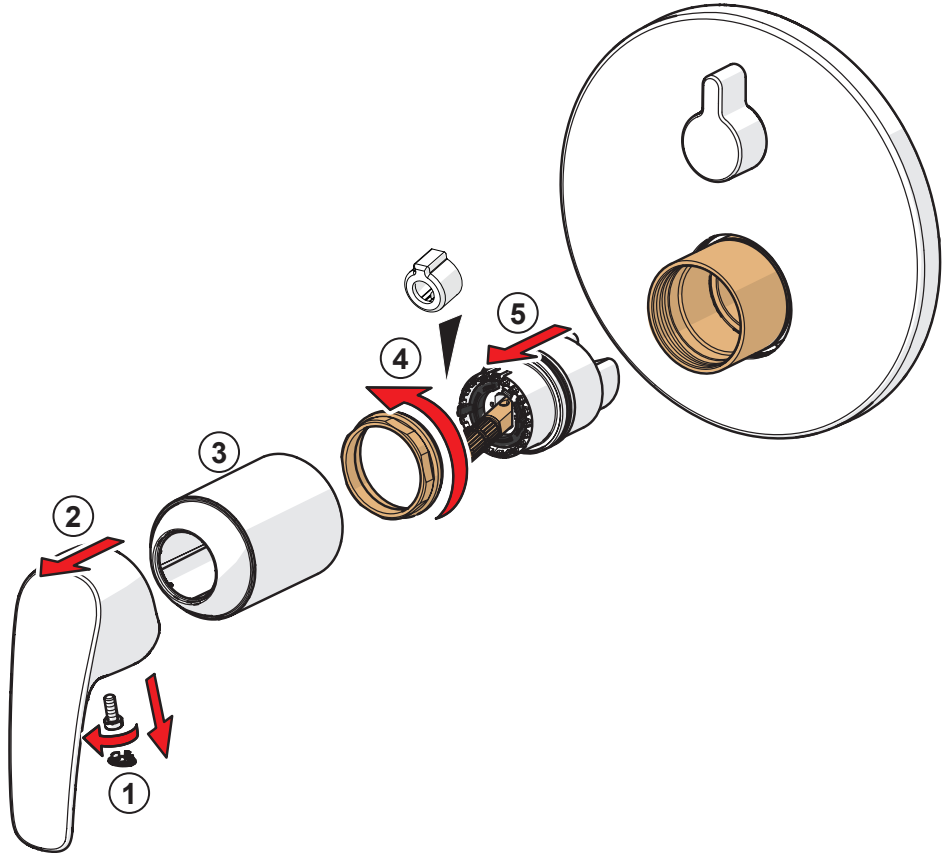
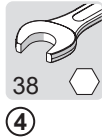
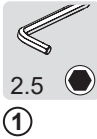
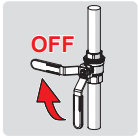


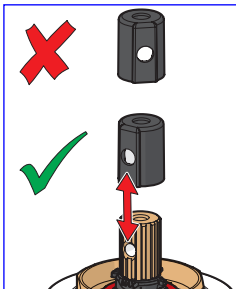
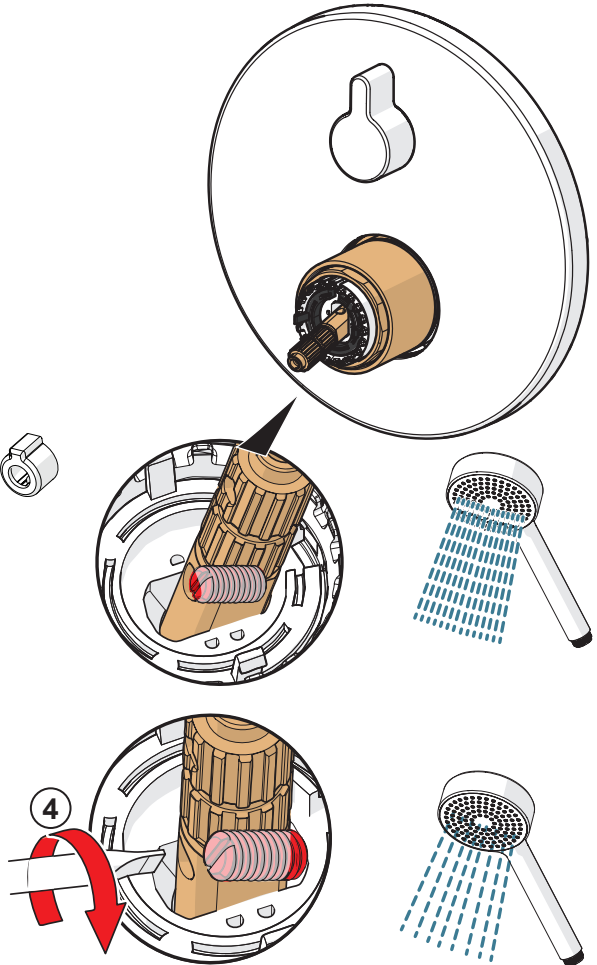
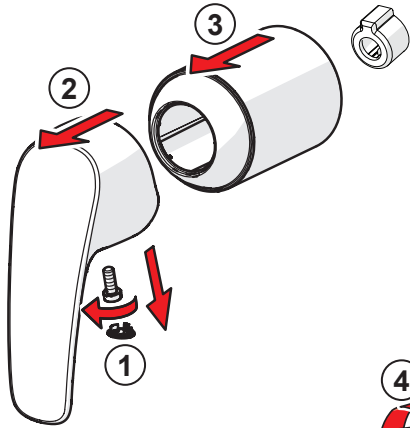
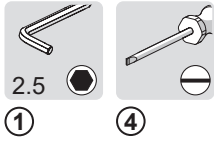
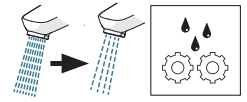
⑤



<https://vimeo.com/300742891>



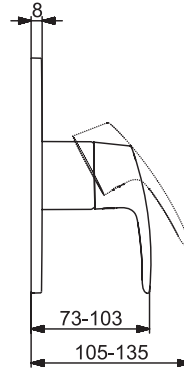
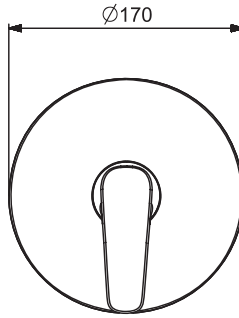






1064CN

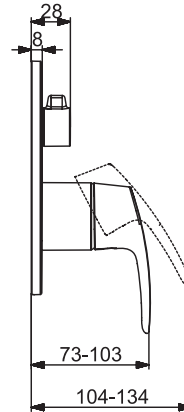
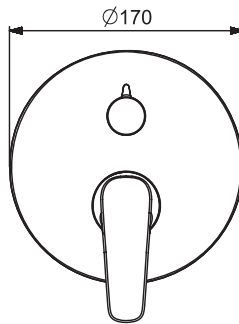
I (ISO 3822)
EN 817
50 - 1000 kPa
0.25 l/s (300 kPa)
max. +80°C



mpi.oras.com/1064CN

1044CN

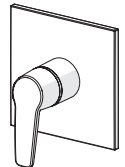
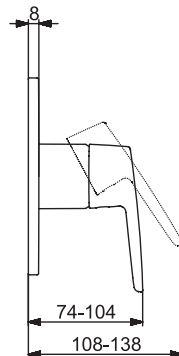
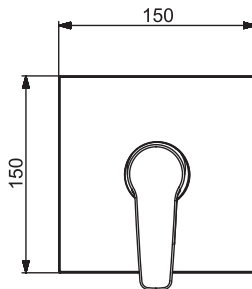
I (ISO 3822)
EN 817
50 - 1000 kPa
0.33 / 0.25 l/s (300 kPa)
max. +80°C



mpi.oras.com/1044CN

3987N

I (ISO 3822)
EN 817
50 - 1000 kPa
0.25 l/s (300 kPa)
max. +80°C

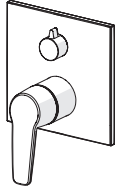
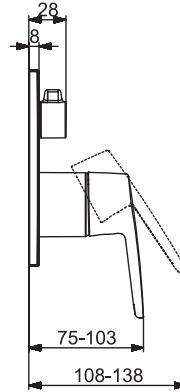
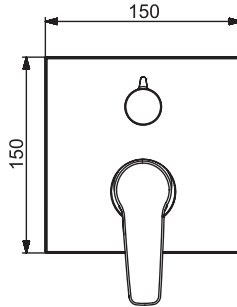


mpi.oras.com/3987N

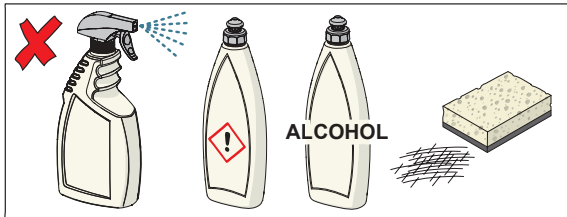
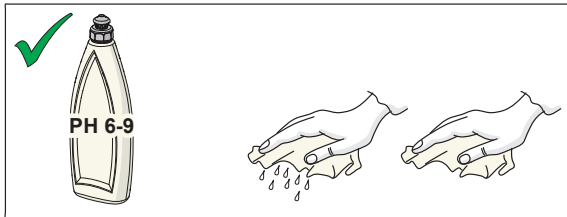


3988N

I (ISO 3822)
EN 817
50 - 1000 kPa
0.33 / 0.25 l/s (300 kPa)
max. +80°C



mpi.oras.com/3988N



cleaning.oras.com

About Oras Group

Oras Group is a significant European provider of sanitary fittings: the market leader in the Nordics and a leading company in Continental Europe.

The company's mission is to create the smartest water experiences for everyone and its vision is to become the Perfect Flow Company.

The Group has two strong brands, Oras and Hansa. Oras Group is owned by Oras Invest, a family company, and an industrial owner.

The domicile of Oras Ltd, the parent company of the Group, is located in Rauma, Finland, and the Group has two manufacturing sites: Olesno (Poland) and Rauma (Finland).

The Group operates with its own staff in 17 markets. Oras Group's net sales were 233.5 million euros in 2021 and at the end of the period the company employed 1255 people.

ORAS Ltd
Isometsäntie 2, P.O. Box 40
FI-26101 Rauma
Tel. +358 2 83 161
Fax +358 2 831 6300
info.finland@oras.com
www.oras.com



943539-01-26