



Oras

Installation and maintenance guide



I (ISO 3822)
100 - 1000 kPa
max. +70°C



Frequency: 2,4 GHz
Max power: 10 mW
Radio range: 25 m



We declare that these products conforms to
the Radio Equipment Directive 2014/53/EU,
the Low Voltage Directive 2014/35/EU,
the EMC Directive 2014/30/EU and
the RoHS Directive 2011/65/EU.

For more information:
<https://static.oras.com>



4-11



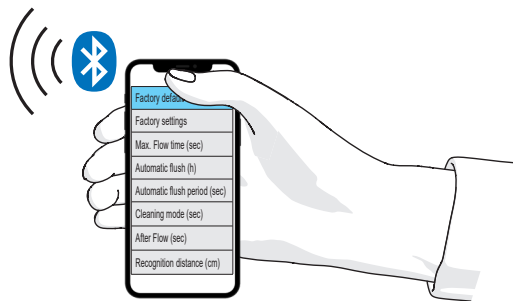
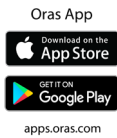
12-28,
37



29-35



36



Apple and the Apple logo are trademarks of Apple Inc., registered in the U.S. and other countries. App Store is a service mark of Apple Inc., registered in the U.S. and other countries.

Google Play and the Google Play logo are trademarks of Google Inc.

The Bluetooth® word mark and logos are registered trademarks owned by the Bluetooth SIG, Inc. and any use of such marks by Oras Group is under license. Other trademarks and trade names are those of their respective owners.

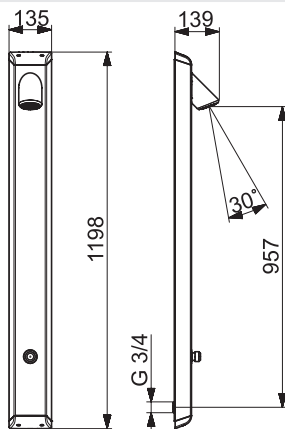


9600F

I (ISO 3822)
EN 816
100 - 500 kPa
0.2 l/s (300 kPa)
max. +80°C



mpi.oras.com/9600F

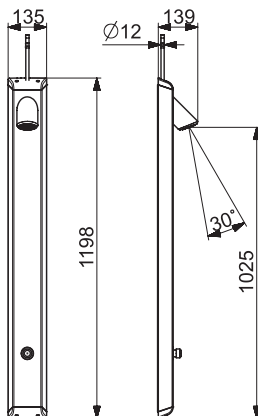


9600S

I (ISO 3822)
EN 816
100 - 500 kPa
0.2 l/s (300 kPa (with flow controller))
max. +80°C



mpi.oras.com/9600S

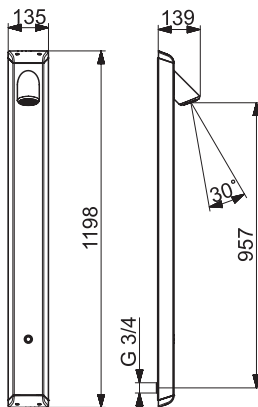


9610FTZ

I (ISO 3822)
EN 15091
100 - 1000 kPa
0.21 l/s (300 kPa)
IP 55
max. +70°C



mpi.oras.com/9610FTZ

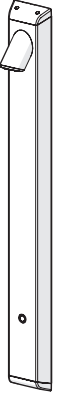
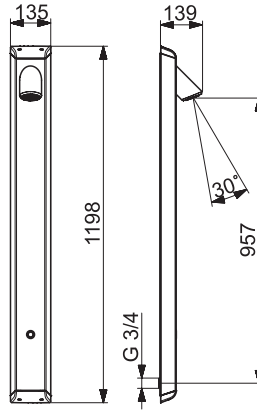


9610FZ

I (ISO 3822)
EN 15091
100 - 1000 kPa
0.21 l/s (300 kPa)
IP 55
AA 1.5 V Lithium x 2
max. +70°C



mpi.oras.com/9610FZ

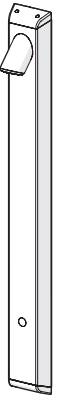
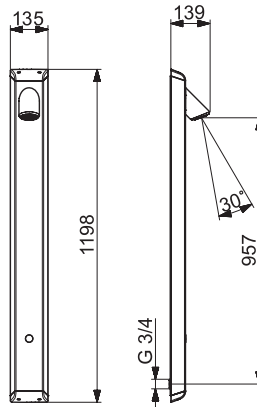


9620FTZ

I (ISO 3822)
EN 15091
100 - 1000 kPa
0.21 l/s (300 kPa)
IP 55
max. +70°C



mpi.oras.com/9620FTZ

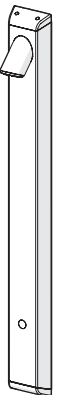
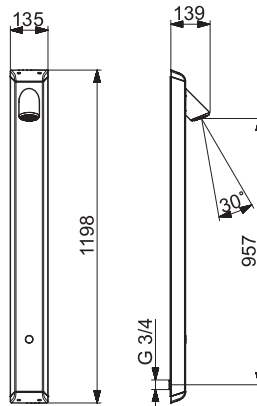


9620FZ

I (ISO 3822)
EN 15091
100 - 1000 kPa
0.21 l/s (300 kPa)
IP 55
AA 1.5 V Lithium x 2
max. +70°C



mpi.oras.com/9620FZ



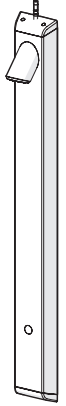
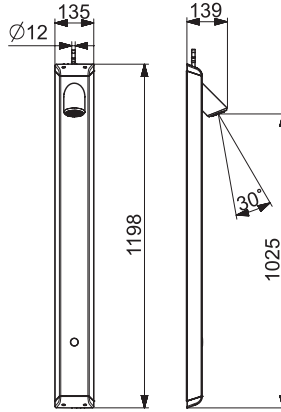


9620SZ

I (ISO 3822)
 EN 15091
 100 - 1000 kPa
 0.2 l/s (300 kPa (with flow controller))
 IP 55
 AA 1.5 V Lithium x 2
 max. +70°C



mpi.oras.com/9620SZ

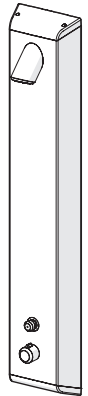
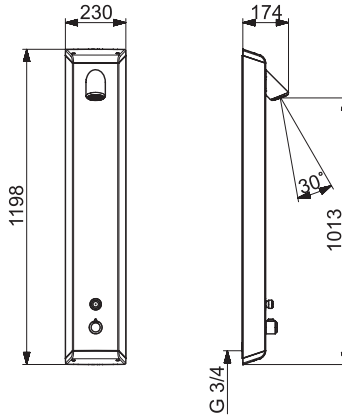


9650F

I (ISO 3822)
 EN 1111
 100 - 500 kPa
 0.18 l/s (300 kPa)
 max. +80°C



mpi.oras.com/9650F

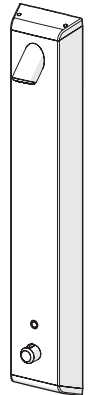
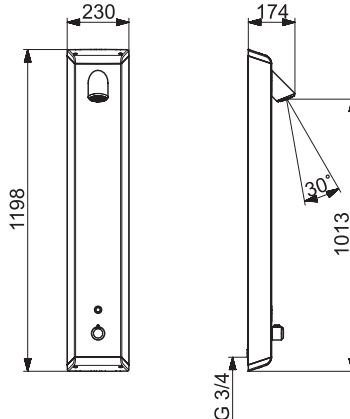


9660BFZ

I (ISO 3822)
 EN 15091, EN 1111
 100 - 1000 kPa
 0.12 l/s (300 kPa)
 IP 55
 max. +70°C



mpi.oras.com/9660BFZ

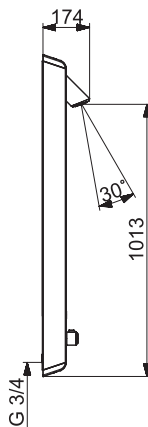


9660FTZ

I (ISO 3822)
EN 15091, EN 1111
100 - 1000 kPa
0.18 l/s (300 kPa)
IP 55
max. +70°C



mpi.oras.com/9660FTZ

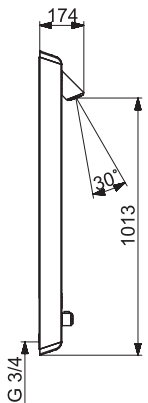
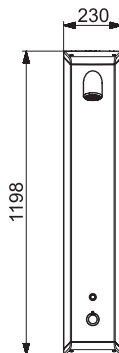


9660FZ

I (ISO 3822)
EN 15091, EN 1111
100 - 1000 kPa
0.18 l/s (300 kPa)
IP 55
AA 1.5 V Lithium x 2
max. +70°C



mpi.oras.com/9660FZ

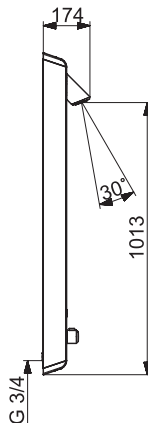


9670BFZ

I (ISO 3822)
EN 15091, EN 1111
100 - 1000 kPa
0.13 l/s (300 kPa)
IP 55
max. +70°C



mpi.oras.com/9670BFZ



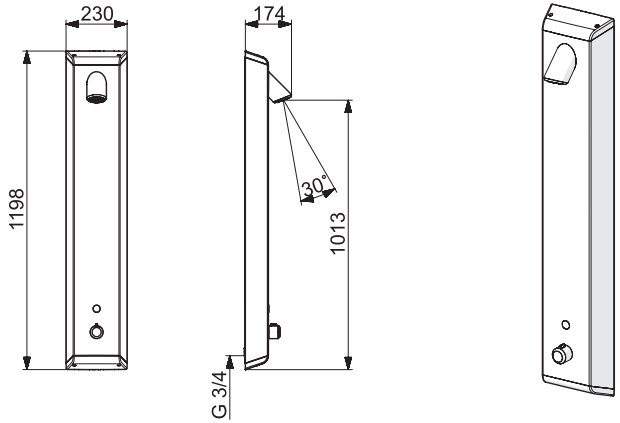


9670FTZ

I (ISO 3822)
 EN 15091, EN 1111
 100 - 1000 kPa
 0.18 l/s (300 kPa)
 IP 55
 max. +70°C



mpi.oras.com/9670FTZ

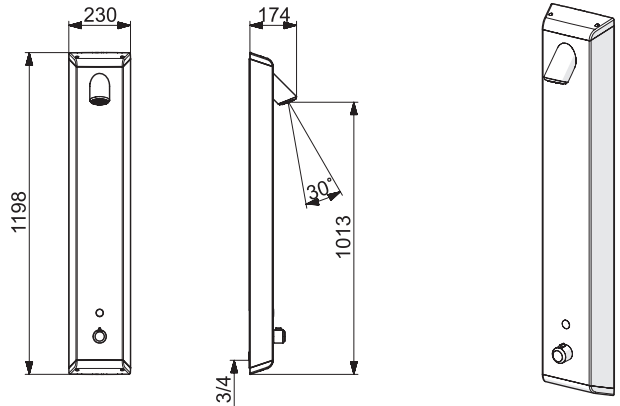


9670FZ

I (ISO 3822)
 EN 15091, EN 1111
 100 - 1000 kPa
 0.18 l/s (300 kPa)
 IP 55
 AA 1.5 V Lithium x 2
 max. +70°C



mpi.oras.com/9670FZ

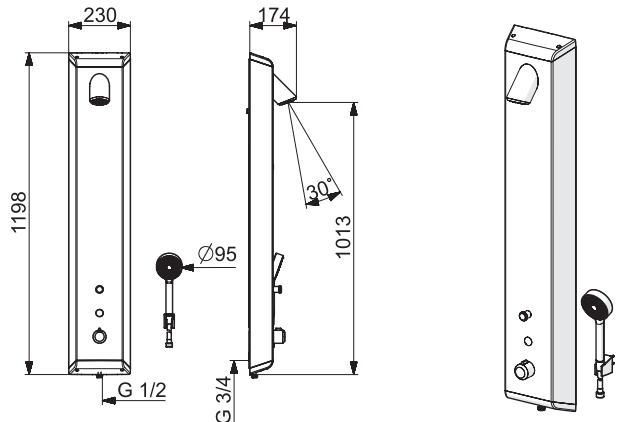


9672BFZ

I (ISO 3822)
 EN 15091, EN 1111
 100 - 1000 kPa
 0.11 l/s (300 kPa)
 IP 55
 max. +70°C



mpi.oras.com/9672BFZ

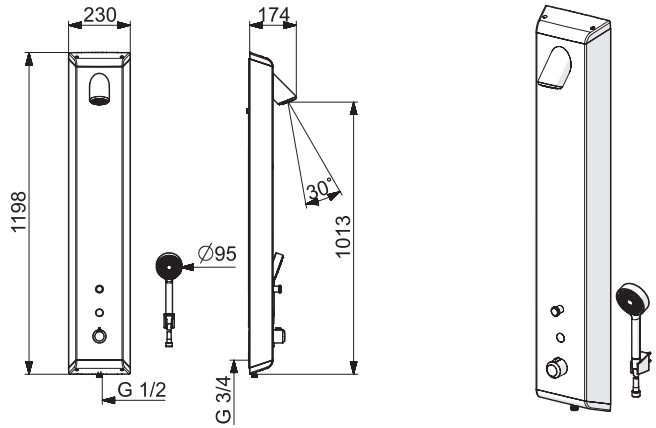


9672FTZ

I (ISO 3822)
EN 15091, EN 1111
100 - 1000 kPa
0.16 l/s (300 kPa)
IP 55
max. +70°C



mpi.oras.com/9672FTZ

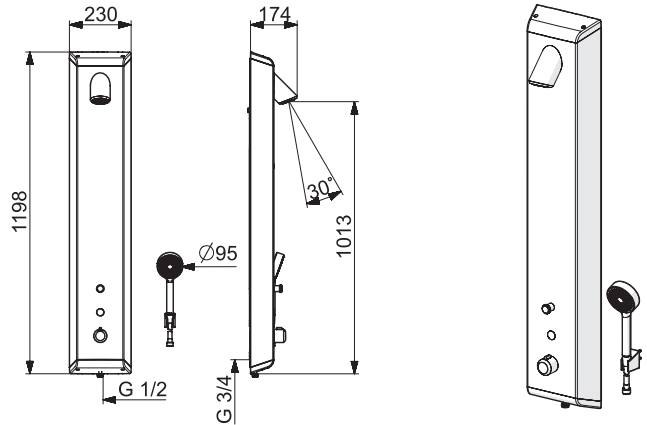


9672FZ

I (ISO 3822)
EN 15091, EN 1111
100 - 1000 kPa
0.16 l/s (300 kPa)
IP 55
AA 1.5 V Lithium x 2
max. +70°C



mpi.oras.com/9672FZ



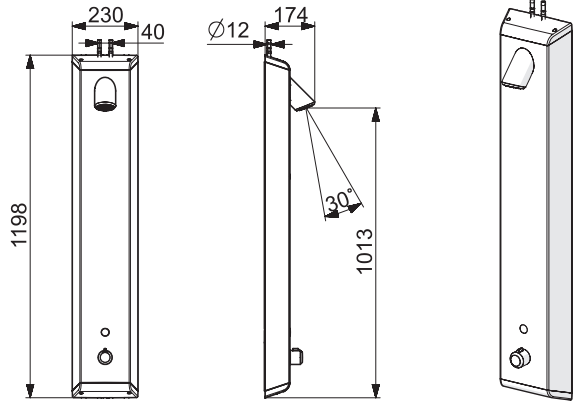


9670SZ

I (ISO 3822)
EN 15091, EN 1111
100 - 1000 kPa
0.13 l/s (300 kPa (with flow controller))
IP 55
AA 1.5 V Lithium x 2
max. +70°C



mpi.oras.com/9670SZ

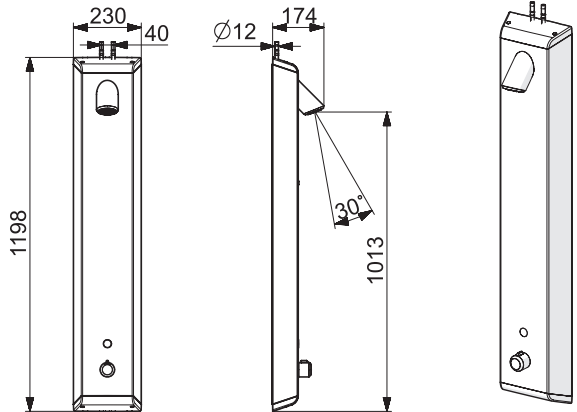


9670BSZ

I (ISO 3822)
EN 15091, EN 1111
100 - 1000 kPa
0.13 l/s (300 kPa (with flow controller))
IP 55
max. +70°C



mpi.oras.com/9670BSZ

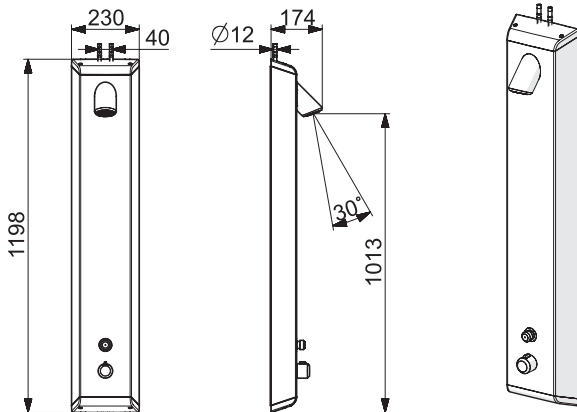


9650S

I (ISO 3822)
EN 816
100 - 500 kPa
0.13 l/s (300 kPa (with flow controller))
max. +80°C



mpi.oras.com/9650S

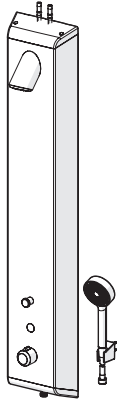
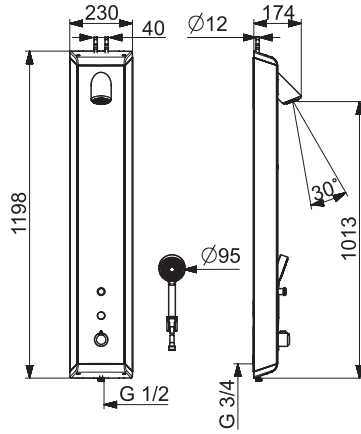


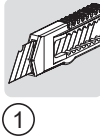
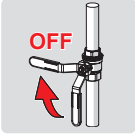
9672SZ

I (ISO 3822)
EN 15091, EN 1111
100 - 1000 kPa
0.11 l/s (300 kPa (with flow controller))
IP 55
AA 1.5 V Lithium x 2
max. +70°C

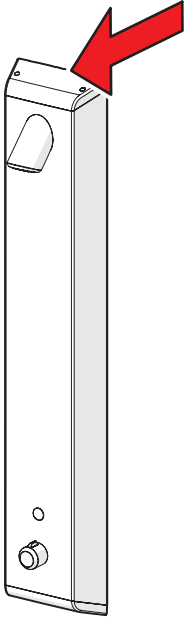


mpi.oras.com/9672SZ

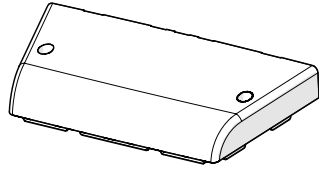




1

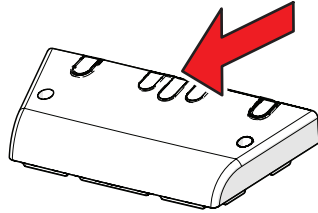


A

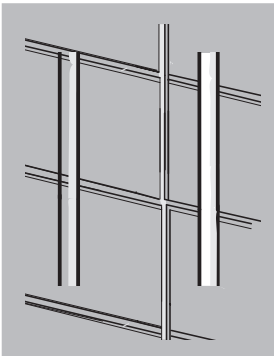


B

1

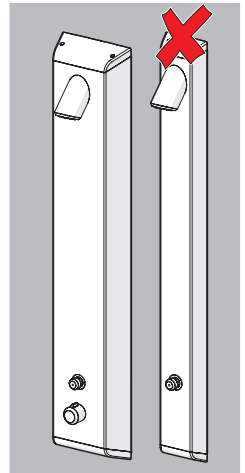


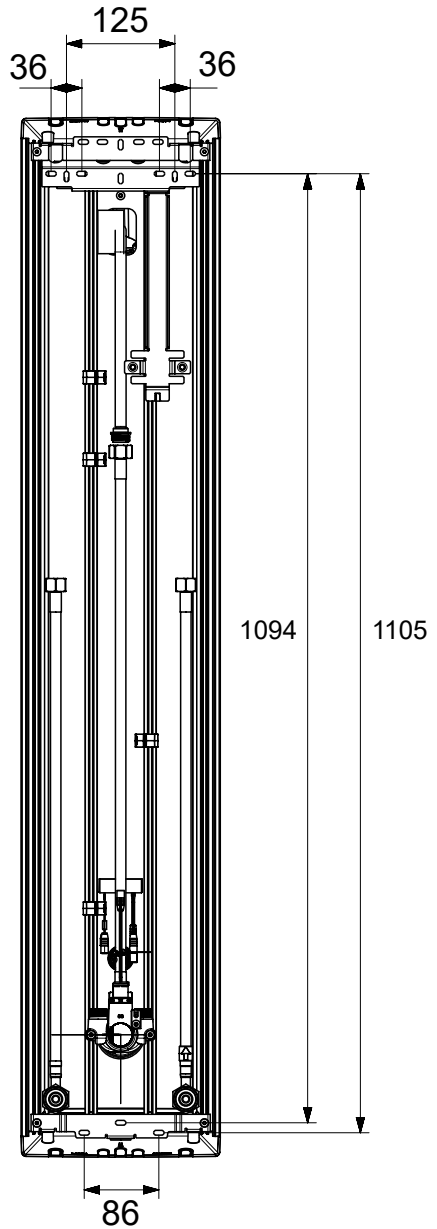
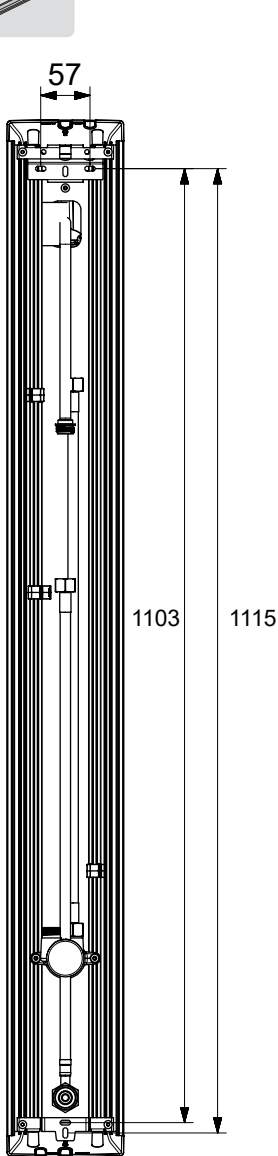
B

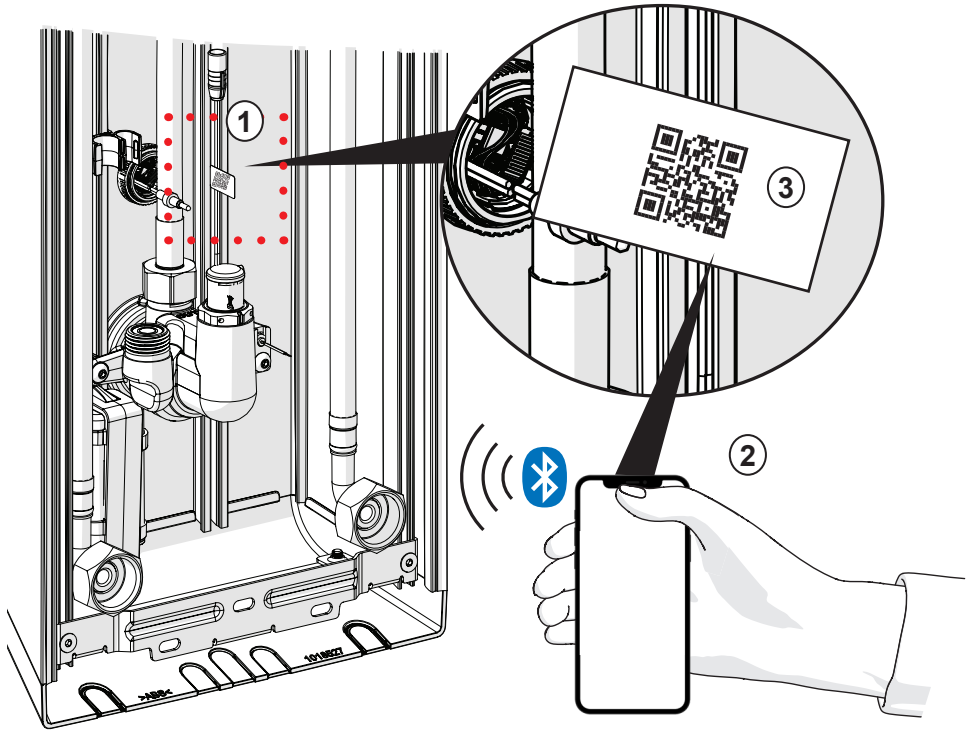


B

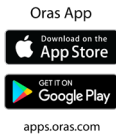
40CC







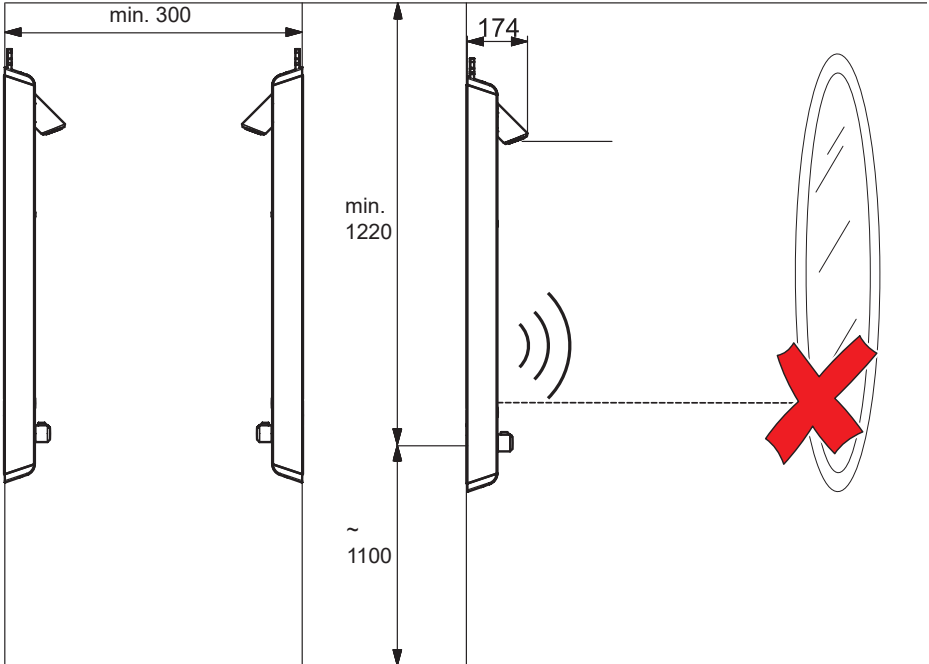
Password/ Passwort/ salasana



Apple and the Apple logo are trademarks of Apple Inc., registered in the U.S. and other countries. App Store is a service mark of Apple Inc., registered in the U.S. and other countries.

Google Play and the Google Play logo are trademarks of Google Inc.

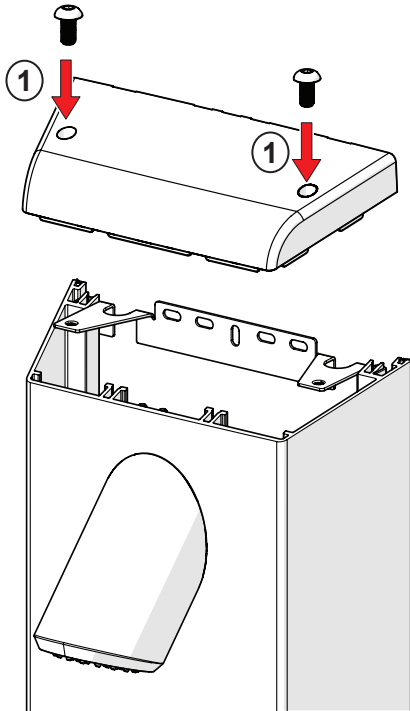
The Bluetooth® word mark and logos are registered trademarks owned by the Bluetooth SIG, Inc. and any use of such marks by Oras Group is under license. Other trademarks and trade names are those of their respective owners.



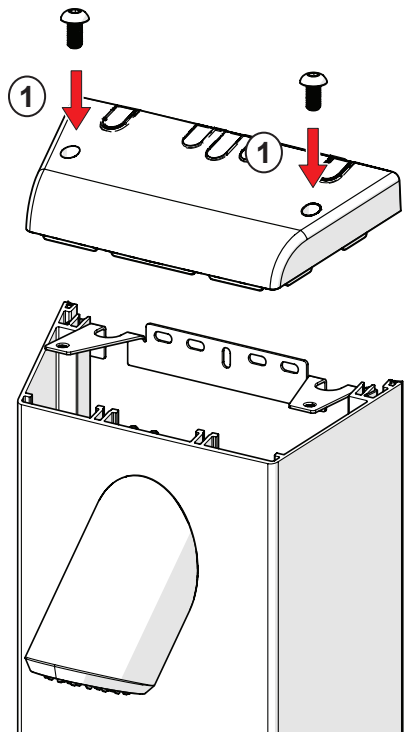


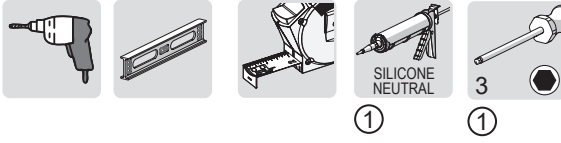
①

② A

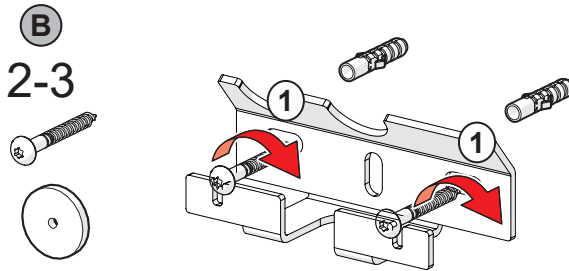
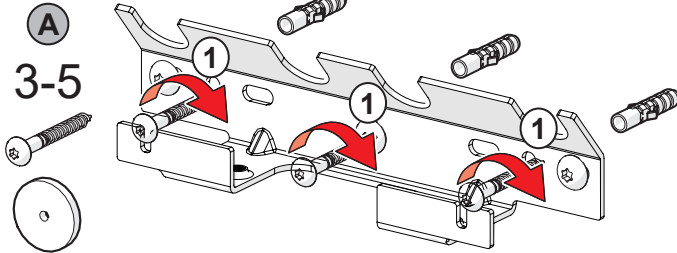


B

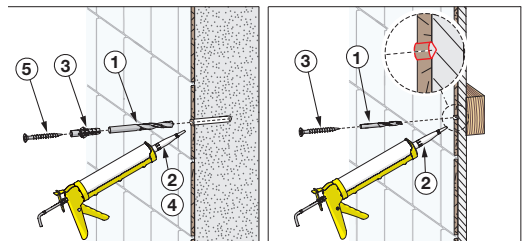
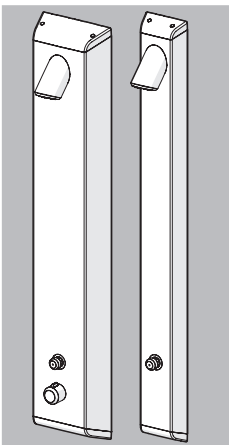




3



A B

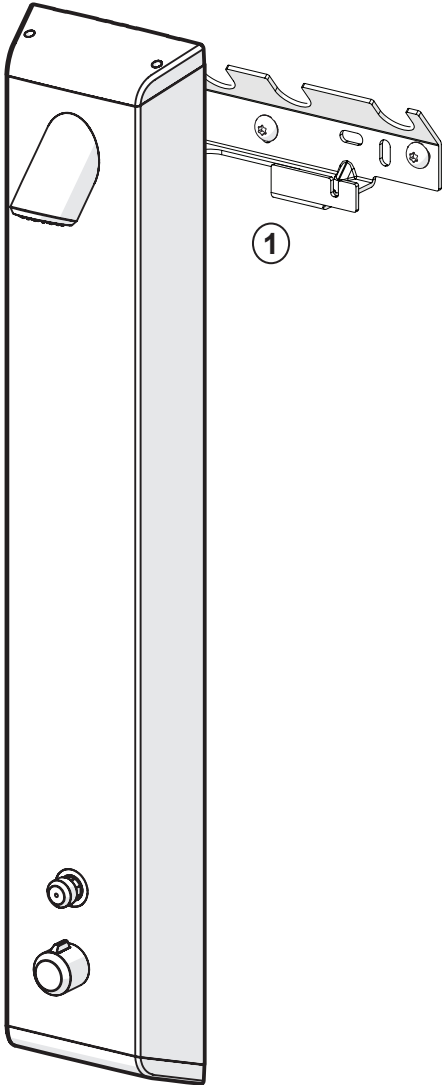




①

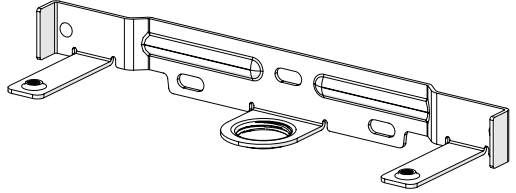
②

④

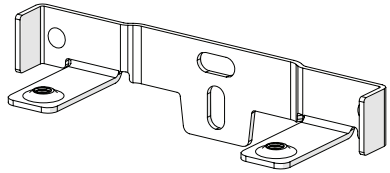


①

A

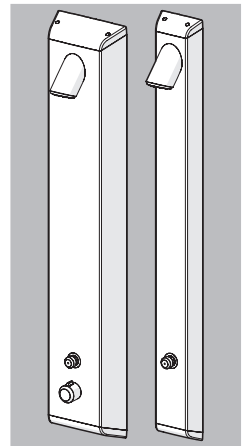


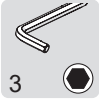
B



A

B

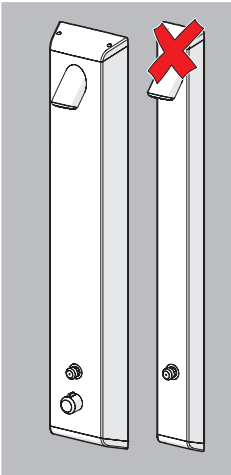
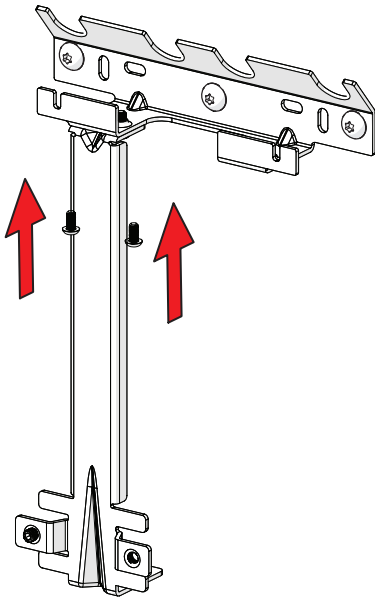
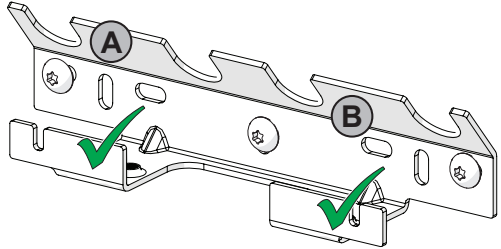
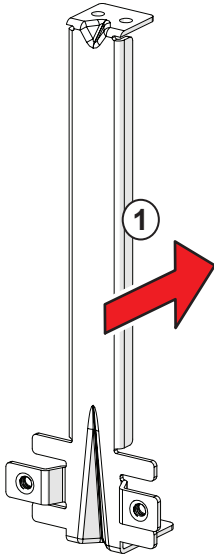


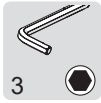


3

①

5

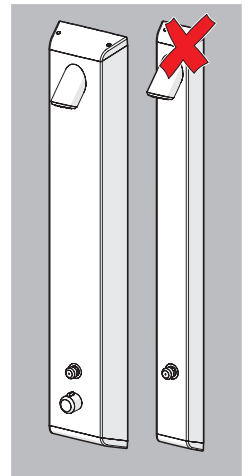
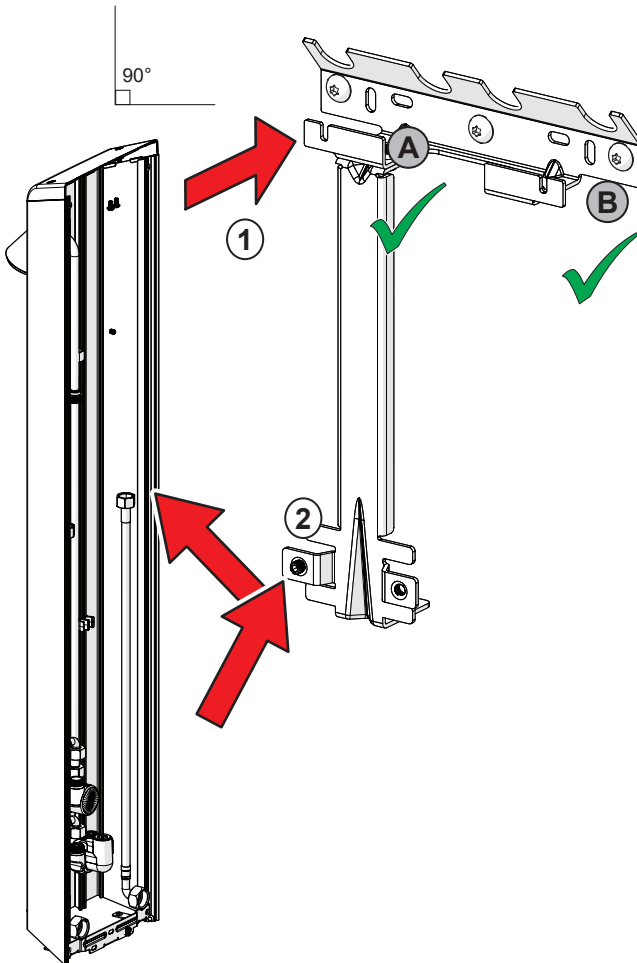
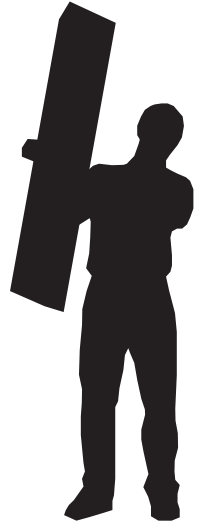


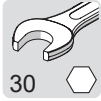


3

②

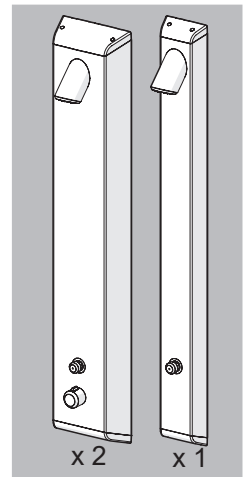
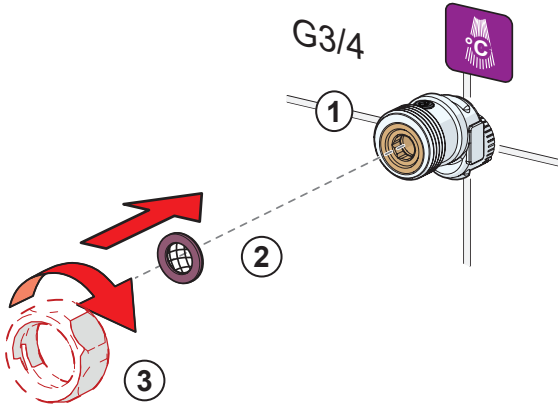
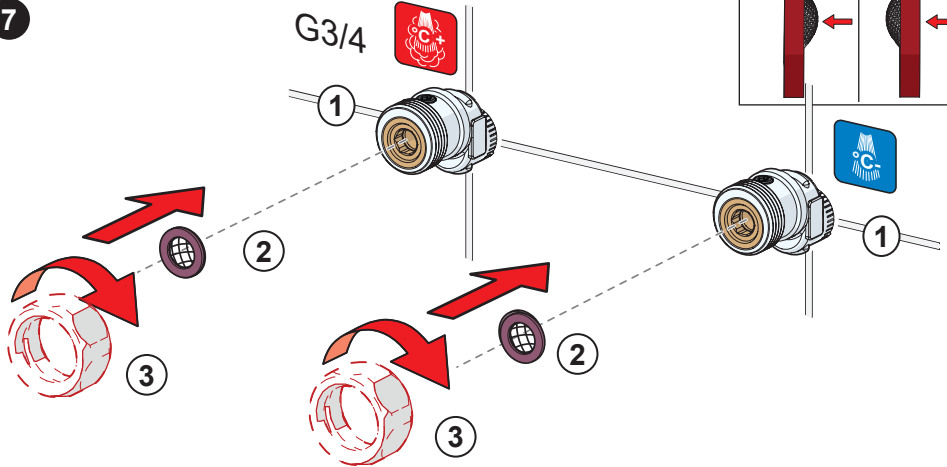
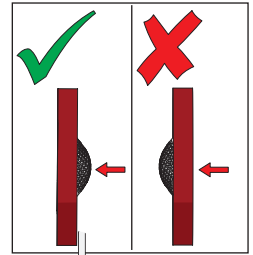
6





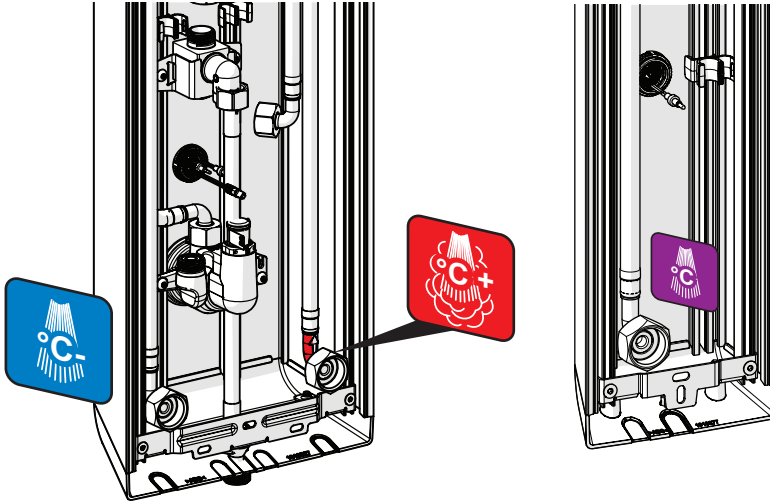
③

7

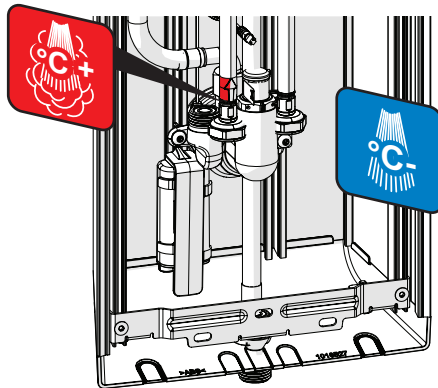


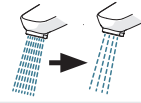


8



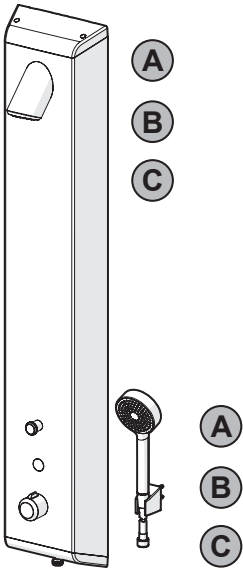
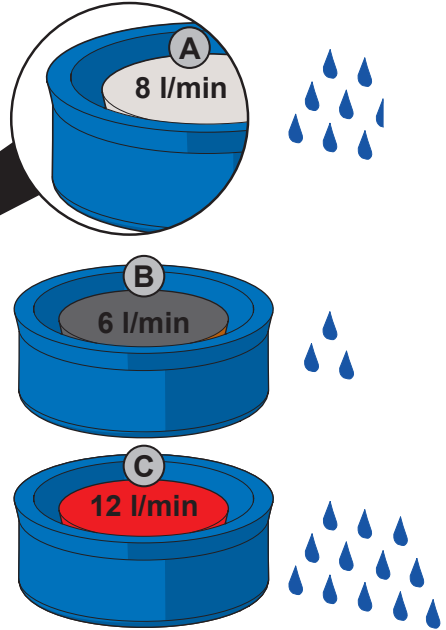
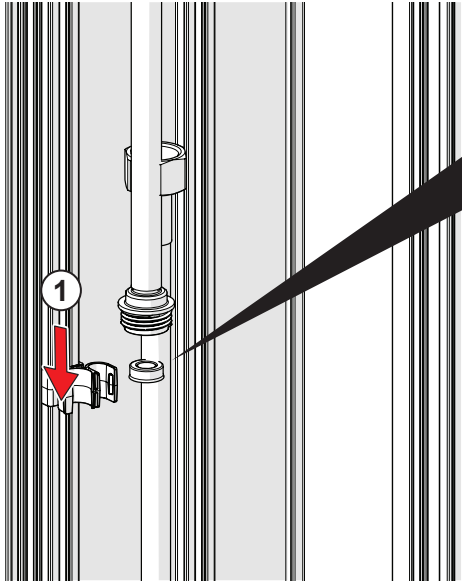

40CC
XXXXXS



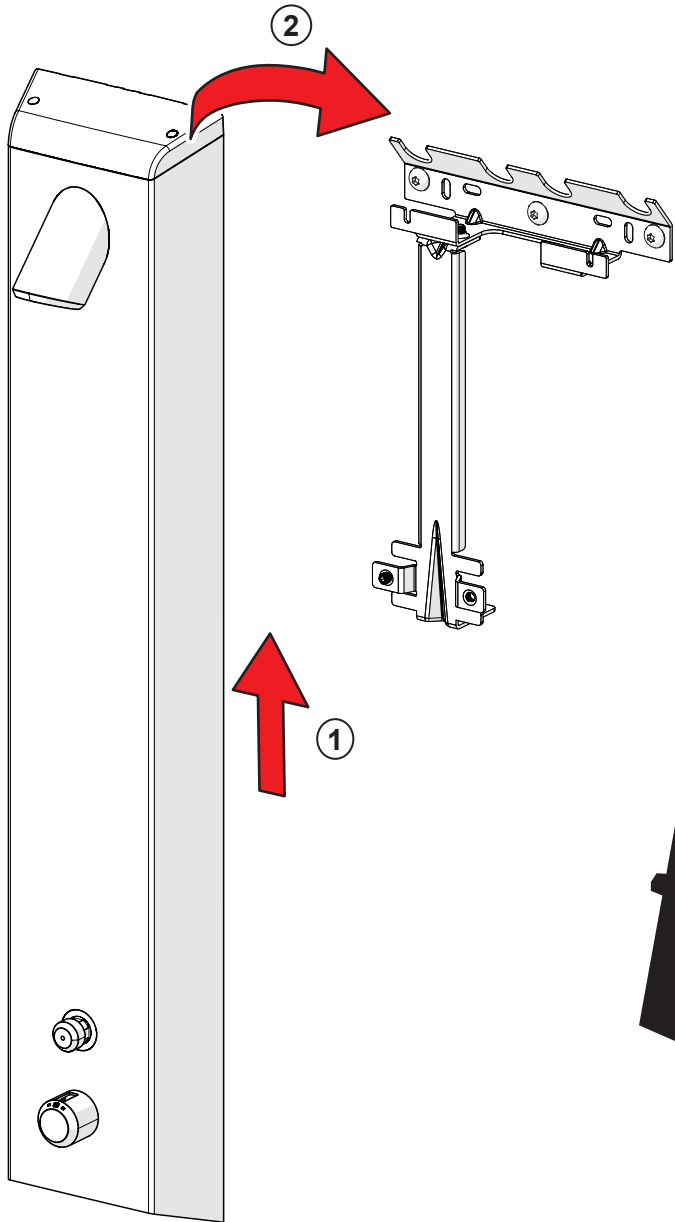
①

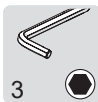
9





10

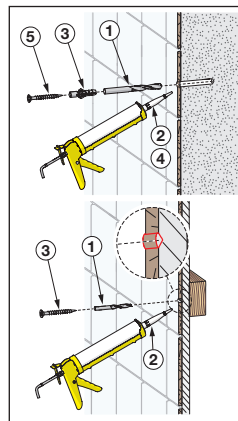
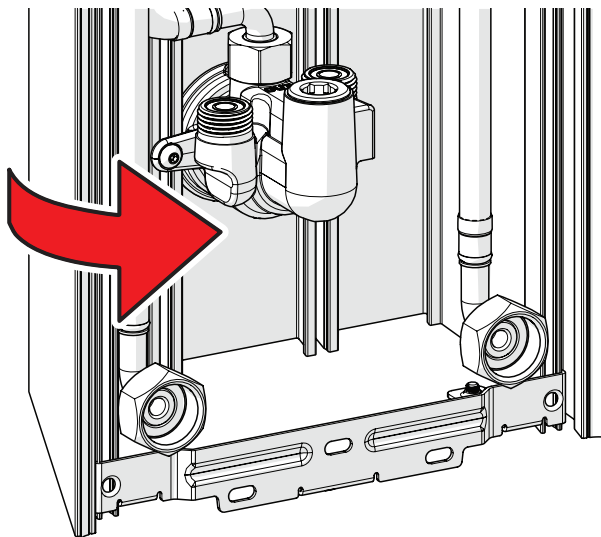




3

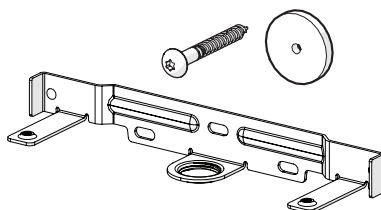
②

11



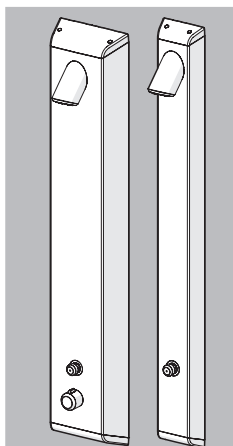
A

2-3



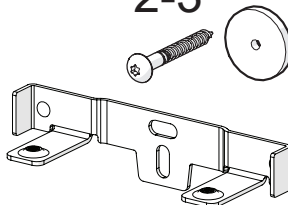
A

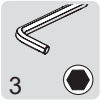
B



B

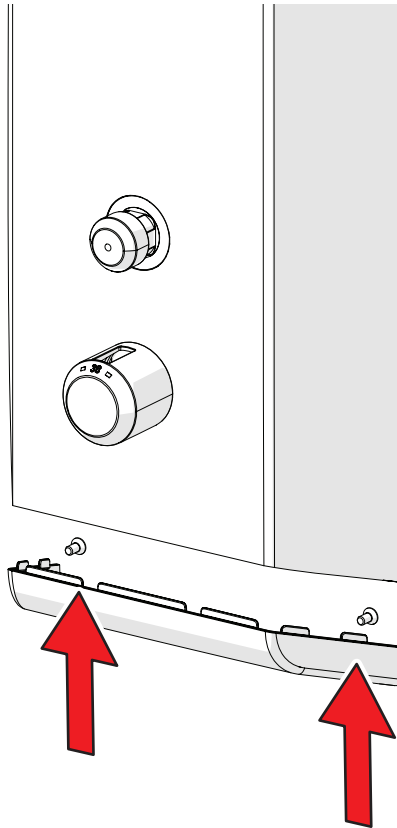
2-3





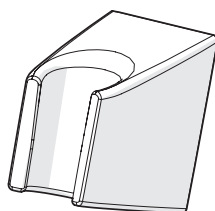
3
②

12

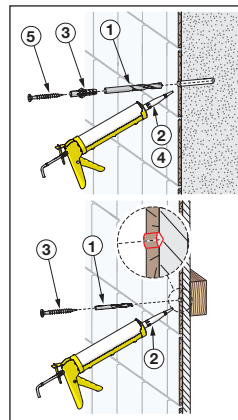
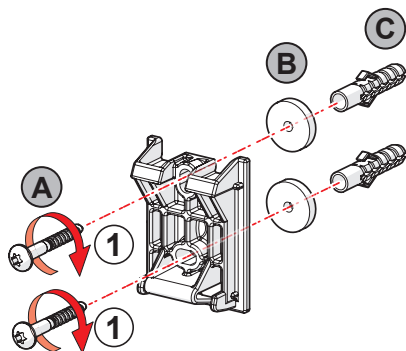




1



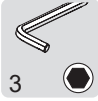
2



A x 2

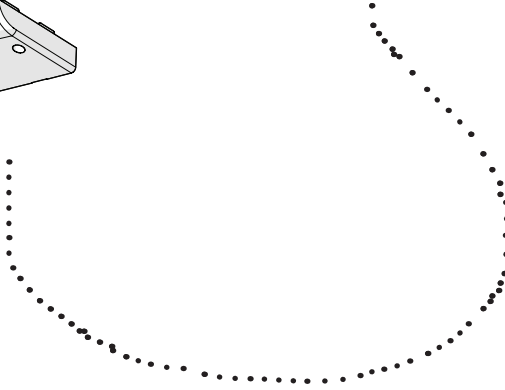
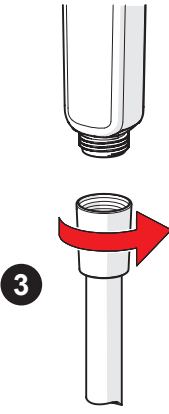
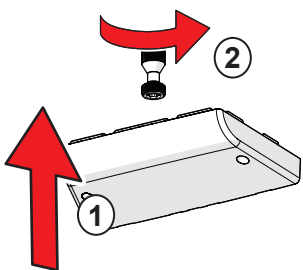
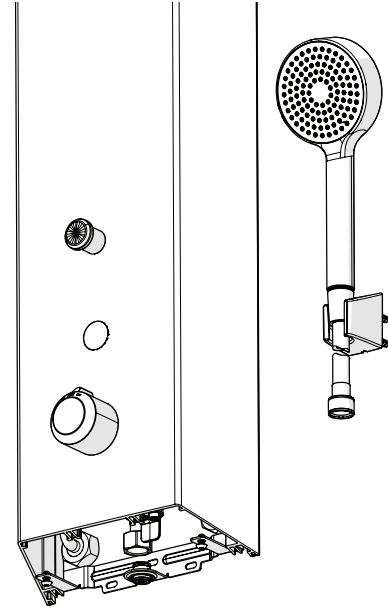
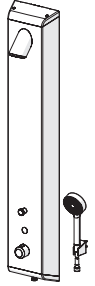
B x 2

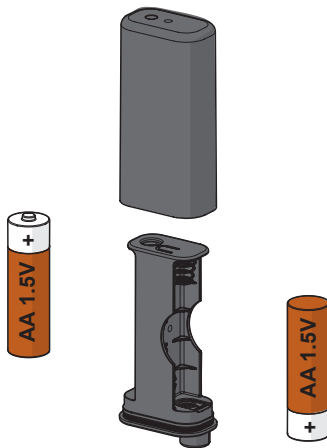
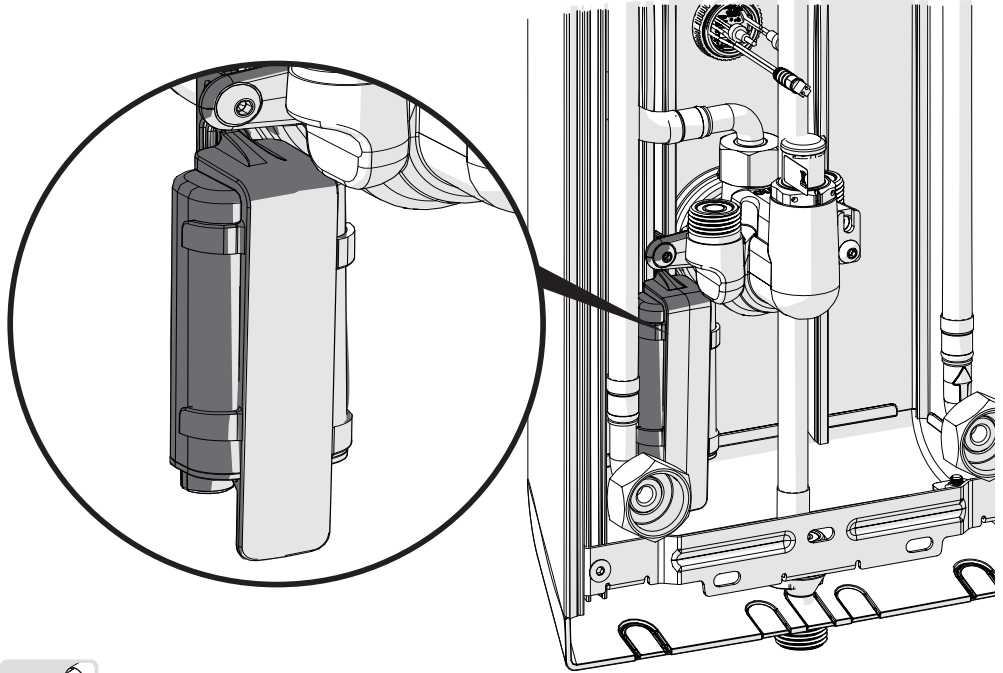
C x 2

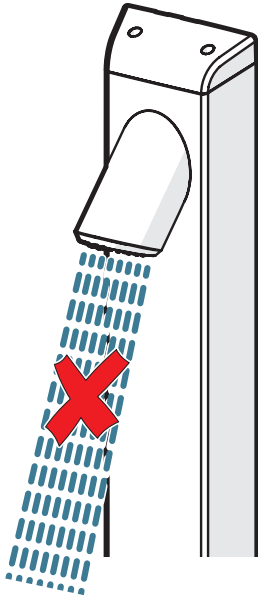


① ③

②



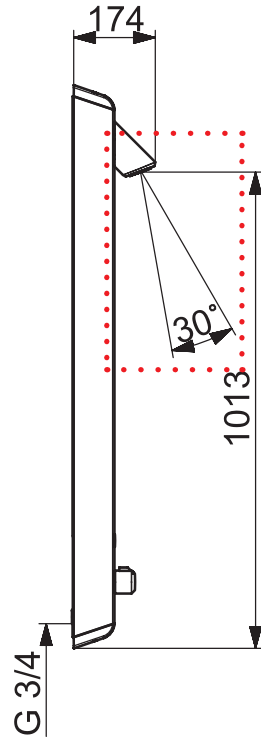
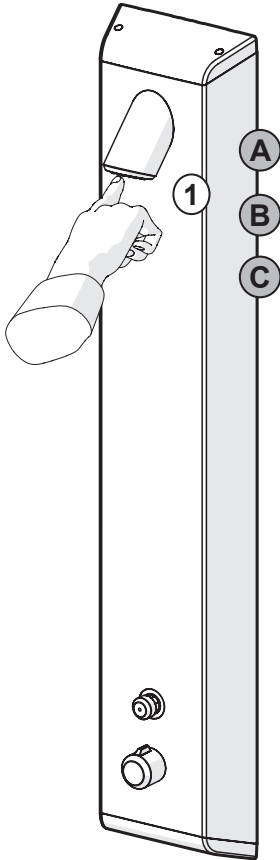


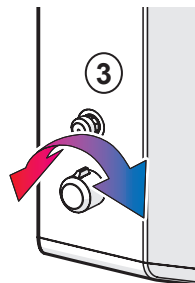
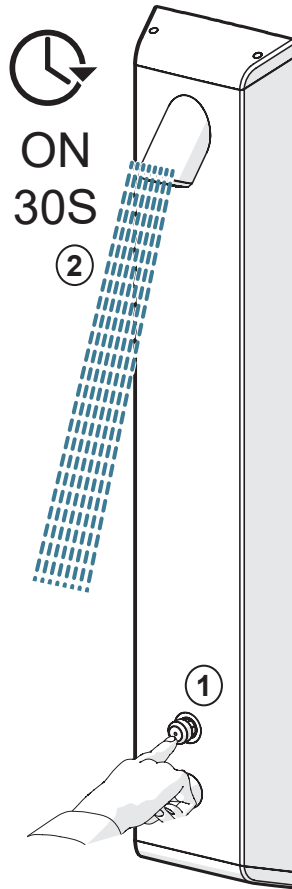
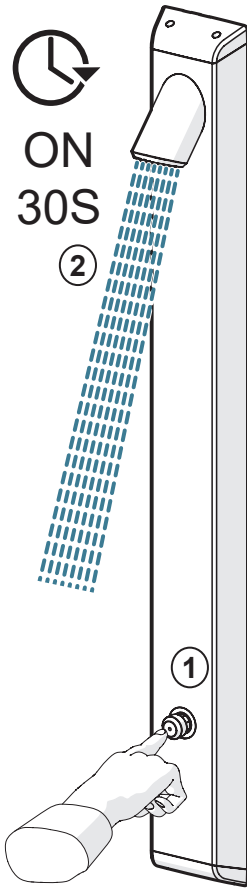


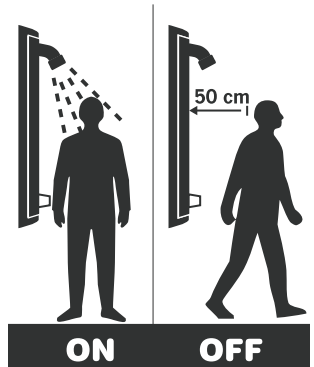
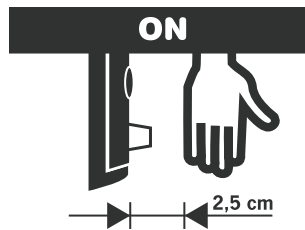
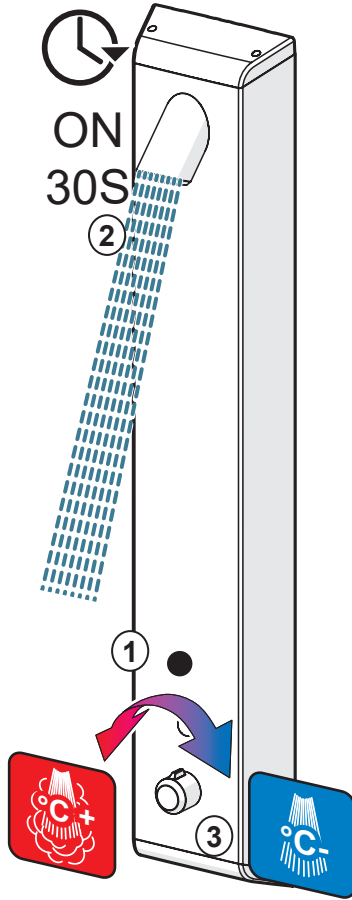
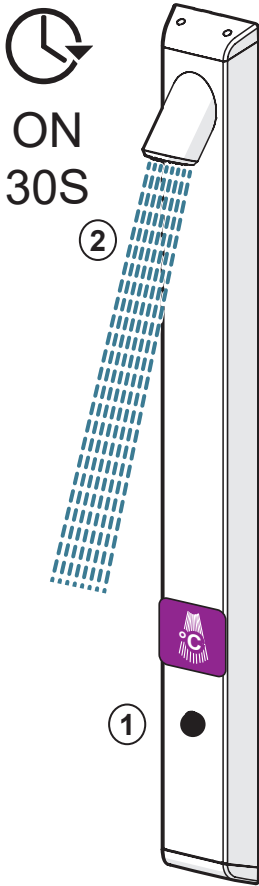
AA 1.5 V
Lithium x 2

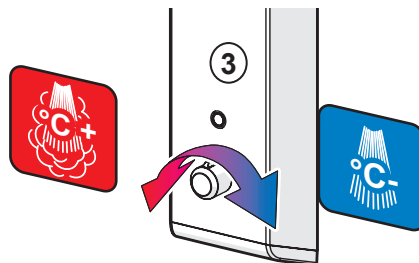
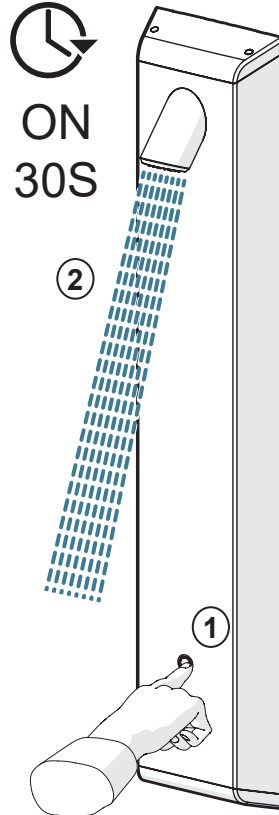
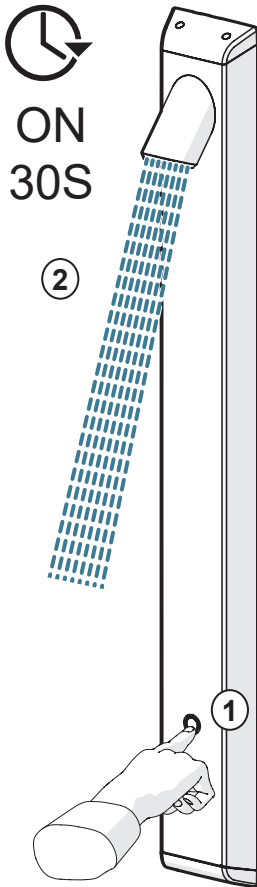


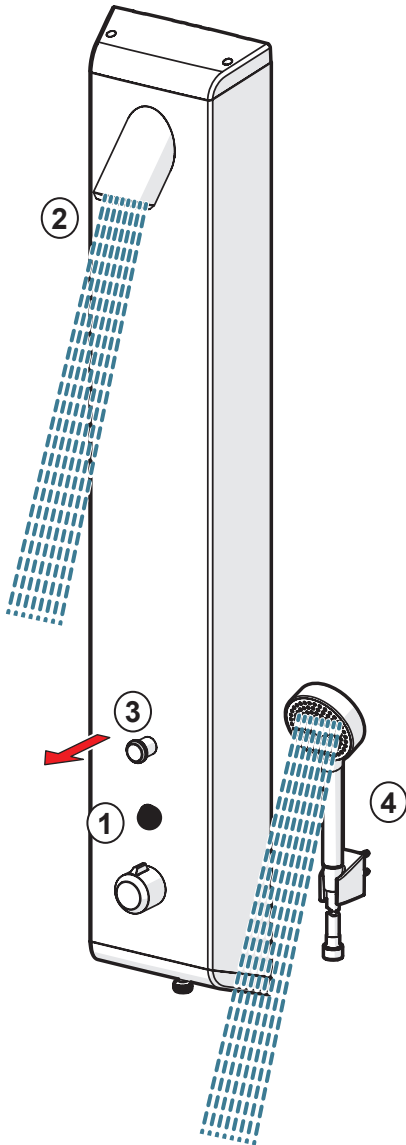
①





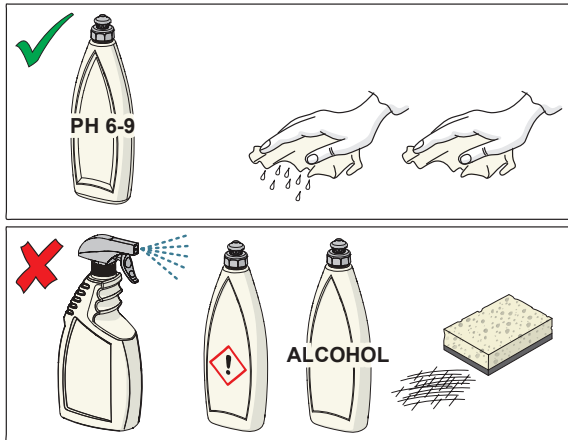
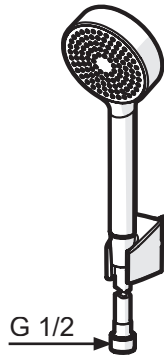






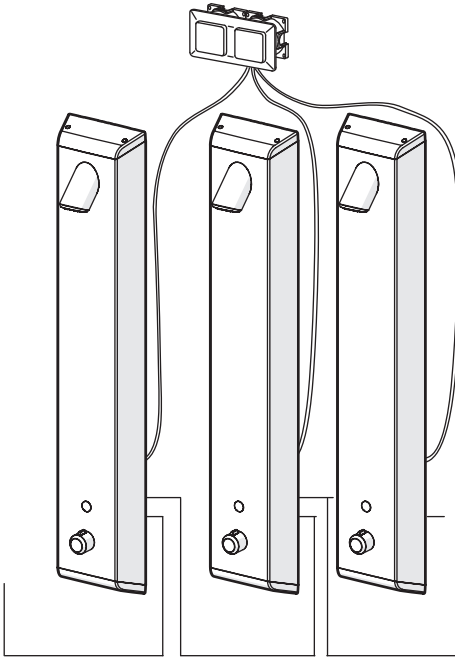


Max 65°C



cleaning.oras.com

5 panels max.



About Oras Group

Oras Group is a significant European provider of sanitary fittings: the market leader in the Nordics and a leading company in Continental Europe.

The company's mission is to create the smartest water experiences for everyone and its vision is to become the Perfect Flow Company.

The Group has two strong brands, Oras and Hansa. Oras Group is owned by Oras Invest, a family company, and an industrial owner.

The domicile of Oras Ltd, the parent company of the Group, is located in Rauma, Finland, and the Group has two manufacturing sites: Olesno (Poland) and Rauma (Finland).

The Group operates with its own staff in 17 markets. Oras Group's net sales were 233.5 million euros in 2021 and at the end of the period the company employed 1255 people.

ORAS Ltd
Isometsäntie 2, P.O. Box 40
FI-26101 Rauma
Tel. +358 2 83 161
Fax +358 2 831 6300
info.finland@oras.com
www.oras.com



943544-07-26