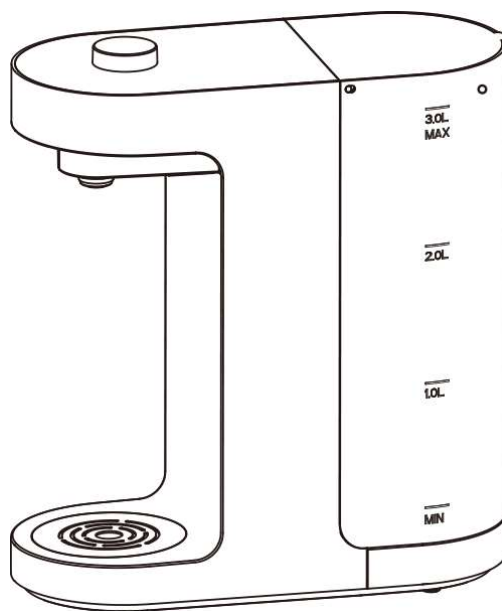


即熱式飲水機
Instant Hot Water Dispenser

PEK3000
MK-PEK3000

ZH-HK 說明書

EN Instruction Manual



Primada 寶康達®

| | | |
|--------------|---------------------------------|----|
| ZH-HK | 說明書 | 2 |
| EN | Instruction Manual | 14 |

感謝您選購寶康達產品——即熱式飲水機！希望您使用愉快，我們相信這款全新即熱式飲水機將幫助您烹調更快速方便，讓您重新感受到烹飪的樂趣及擁有不一樣的美食滋味。

使用中如果遇到任何問題，請聯絡我們的售後服務中心，將有專業人員為您解答問題。

如欲了解更多產品資訊：www.primada.com.hk

本資料產品以實物為準，原廠保留產品更新的權利，如有變動，恕不另行通知。

感謝您的選擇！

目錄

| | |
|-----------------|----|
| 1. 安全注意事項 | 2 |
| 2. 產品組成 | 4 |
| 2.1 技術參數 | 4 |
| 2.2 組件名稱 | 5 |
| 3. 電器原理圖 | 7 |
| 4. 產品使用 | 8 |
| 5. 清潔保養 | 11 |
| 6. 疑難排解 | 12 |

1. 安全注意事項

使用產品前請仔細閱讀此說明書。
請保管好此說明書。

當使用本產品時，必須遵守以下安全保護措施及注意事項：

1. 接水時請勿將水嘴伸入到杯口內，以免開水堵住水嘴產生危險。
2. 嚴禁加入熱水、冰塊、其它混合液體，如牛奶、果汁等。
3. 請單獨使用額定電流10A或以上的帶接地線插座，避免與其他電器合用插座，以免發生異常引起火災。
4. 請勿向產品底部的孔洞插入大頭針、鐵絲或其他物品，以免觸電或受傷。
5. 請勿讓兒童單獨操作使用，請置於嬰幼兒不能接觸的地方，以避免觸電，燙傷等危事故出現。
6. 請勿使用濕手拔插插頭，以免觸電或受傷。
7. 請勿用於除交流電220V-240V~50Hz以外的電壓，以免造成火災或觸電。
8. 電源線插頭損傷，請勿使用，以免造成火災、觸電或短路。
9. 插頭需完全插入座，以免造成火災、觸電或短路。
10. 產品僅限於室內使用。
11. 裝有心跳起搏器的人士或助聽器植入耳蝸的使用者在使用本產品時，請諮詢授權醫療人員並參考醫療設備提供商的說明。
12. 如果電源線損壞，為了避免危險，必須由製作商、其維修部或類似部門的專業人員進行更換。以免發生危險。
13. 請勿將產品浸水或泡水。
14. 工作過程中請勿將手靠近出水口以避免燙傷。
15. 產品在工作過程中，請勿移動、晃動、傾倒或傾斜產品。
16. 產品請勿放在不平穩、潮濕或者靠近其它火源，熱源的地方，否則會受到損壞或發生事故。
17. 除維修技術人員以外，其他人不得進行分解或維修，以避免造成觸電或火災。
18. 建議使用RO逆滲透法濾水裝置過濾後的純淨水，切如使用渾濁的自來水。部分礦泉水含礦物離子，在加熱過程中會產生水垢，請定時使用檸檬酸進行清洗。
19. 請確保在海拔低於800m的地方使用，沸騰溫度隨海拔不同可能會有所變化。
20. 請勿加水超過最大刻度。
21. 請確保產品操作界面沒有殘留水珠，且產品沒有淋水的風險。

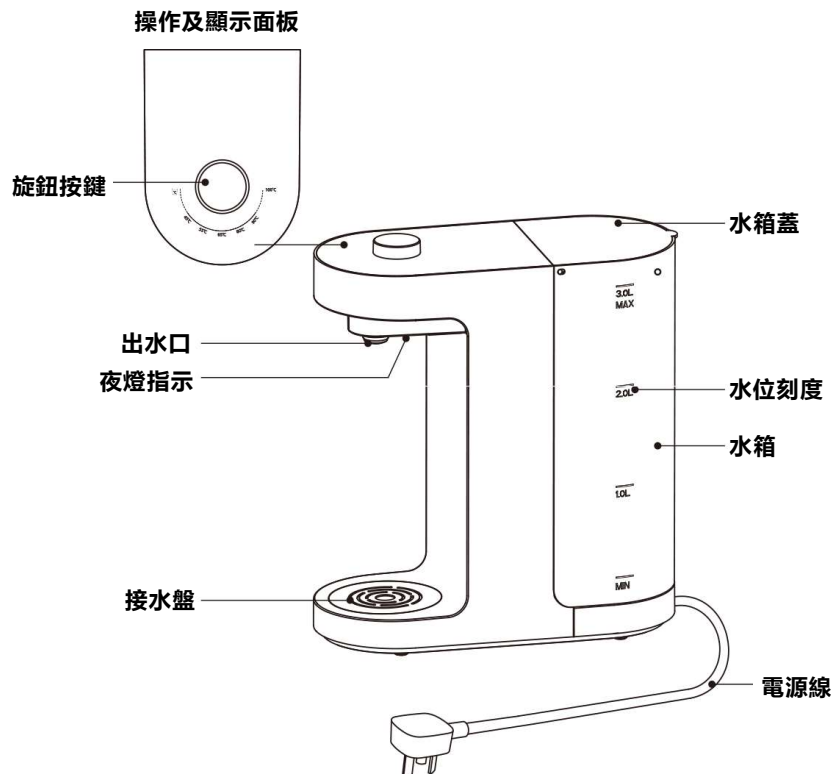
2. 產品組成

2.1 技術參數

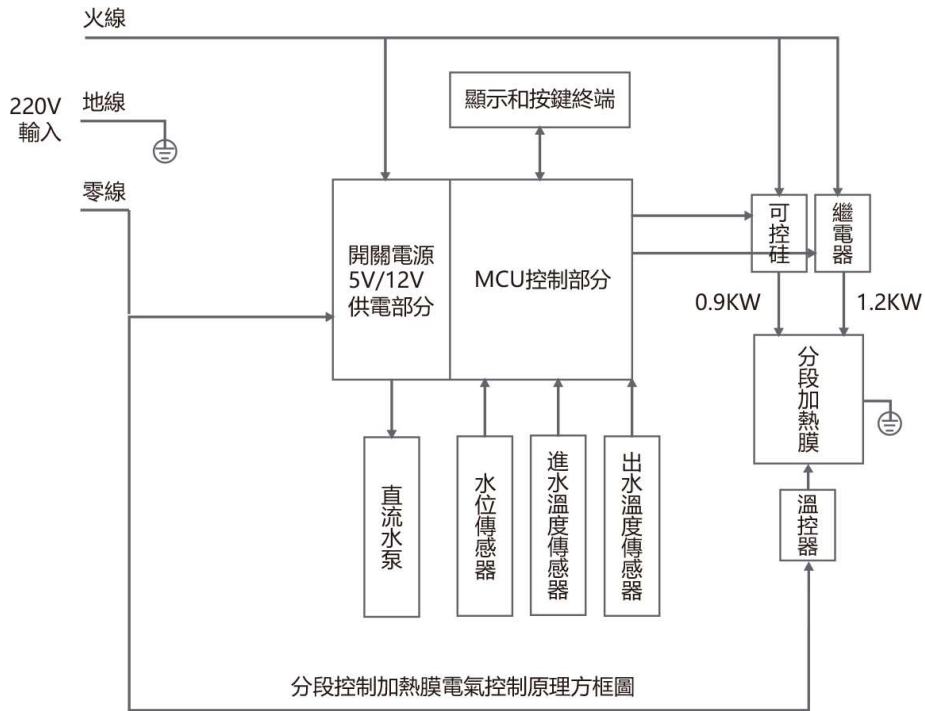
| | | | |
|------|---------------------|---------|---------------|
| 型號 | PEK3000/ MK-PEK3000 | | |
| 工作電壓 | 220-240V | 頻率 | 50Hz |
| 額定功率 | 2100W | 額定制熱水能力 | ≥90°C, 20L/H |
| 容量 | 3L | 淨重量 | 2.1kg |
| 產品尺寸 | 309x143x320mm | 包裝尺寸 | 367x380x180mm |

*因產品持續改善，原廠保留產品更新的權利，如有變動，恕不另行通知。

2.2 組件名稱



3. 電器原理圖



4. 使用說明

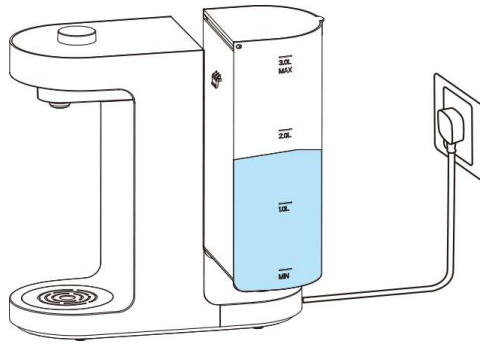
1. 加水及通電

請加水至水箱中，或者取出水箱加水，確保水箱內水位高度低於最高水位線，高於最低水位線。具體刻度可以查看水箱外殼上的標示。插上電源，界面顯示燈全顯後，常溫水常亮。

建議使用過濾水，桶裝水或瓶裝水，若使用RO逆滲透法濾水裝置過濾後的水將獲得更好的體驗。

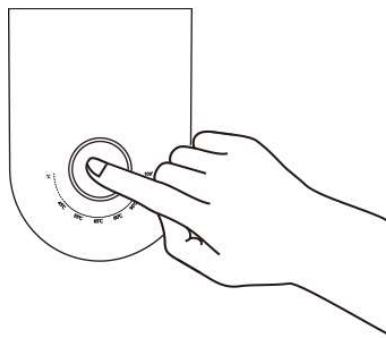
提示：加水溫度務必高於5°C。

注：請勿使用洗碗機清洗，請使用10A或以上的專用插座通電。



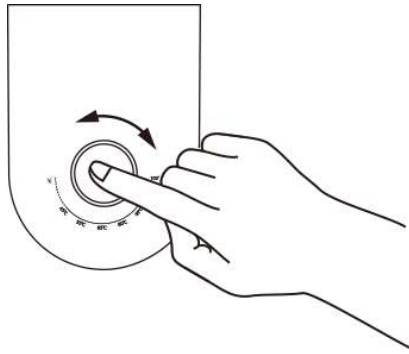
2. 喚醒

待機狀態下，輕按旋鈕，喚醒成功，對應的溫度指示燈和夜燈均亮起。無任何操作60秒後進入待機狀態。



4. 使用說明

3. 轉動旋鈕按鍵，設定出水溫度，對應溫度指示燈亮。

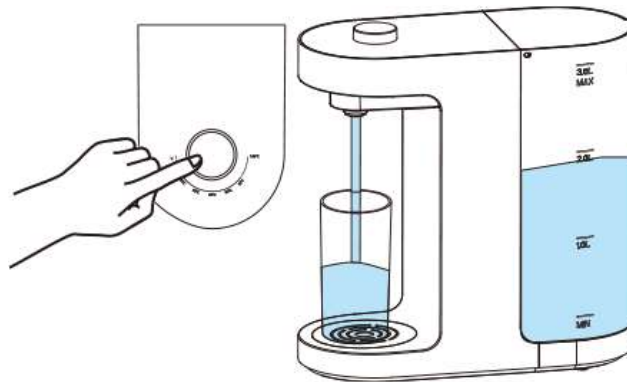


4.取水及停止

點按旋鈕按鍵，即可取水。在取水過程中，再次點按旋鈕按鍵停止取水。

杯量說明：點按一次，預設出水量250ml；長按1.5秒，預設出水量1000ml。

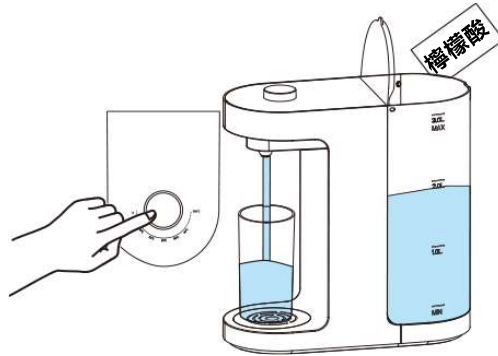
提示：產品在斷電後通電，喚醒後，7秒內跑馬燈，出常溫水，代表產品處於清洗狀態，屬於正常現象。7秒後產品可正常操作。



5. 清潔保養

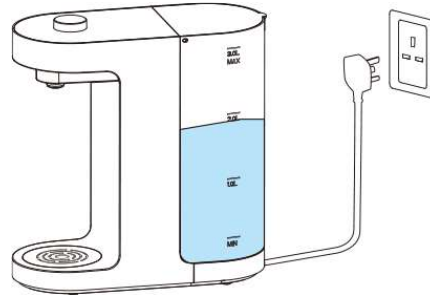
1. 清理水箱及管道

產品使用一段時間後，若發現出水量變小，建議清洗水箱和加熱管道，可在水箱內加入適量檸檬酸，首次清洗建議放50-100g檸檬酸，加水至2.5L，待檸檬酸完全溶解後，按出水按鍵取水，將水箱的水完全排空，隨後，在水箱內加水至2.5L並保留5分鐘再排空，以去除檸檬酸餘味。建議每兩個月清洗一次，以獲得更好的使用體驗。



2. 更換新水

本機器的水箱，如果盛水超過48小時，建議排空水箱，重新加入新水。



3. 久置不用

本機器久置不用時，建議拔掉電源。重新通電使用時，建議先通水加熱3分鐘後再使用。

4. 清潔滴水盒

定期清洗接水盤並排空廢水，以免滋生細菌。

溫馨提示：

1. 清洗用水切記不可飲用。
2. 檸檬酸須完全溶解後才能進入清洗，防止檸檬酸進入管路，導致產品無法正常運行。
3. 首次使用：水箱裝滿3L純淨水，依次從最高溫度檔，中間溫度檔，常溫水溫度檔各放一次，把一箱水放完。

6. 疑難排解

產品使用過程中，若遇以下情況可對照查詢，自主解決。

| 故障情況 | 可能原因 | 解決方法 |
|------------|------------|------------|
| 面板燈不亮 | 插頭是否插到位 | 自行檢查插頭 |
| | 顯示板壞 | 送維修點檢查 |
| | 溫控器壞 | |
| 面板無法操作 | 按鍵板失效 | 送維修點檢查 |
| 不加熱 | 溫度是否使用正確 | 自行檢查溫度 |
| | 電路板壞 | 送維修點檢查 |
| | 加熱器壞 | |
| 所有面板燈閃爍 | 加熱器超高溫警報 | 等待降溫 |
| 常溫燈閃爍，其餘燈滅 | 加熱器超溫警報 | 按出水鍵自動恢復正常 |
| 水流變小 | 水泵壞 | 送維修點檢查 |
| | 加熱器堵 | 檸檬酸清洗 |
| | 水箱進水口是否有異物 | 自行檢查水箱 |
| 不出水 | 水泵壞 | 送維修點檢查 |
| | 加熱器堵 | |
| | 電路板壞 | |
| | 霍爾元件異常 | |
| | 水箱進水口是否有異物 | 自行檢查水箱 |
| | 水箱沒水或水太少 | |



Congratulations on the purchase of your Primada Instant Hot Water Dispenser! We hope it brings you many years of satisfaction. We trust the purchase of your new Instant Hot Water Dispenser will help you for fast/convenient cooking. Let you enjoy cooking and delicious foods.

Should you encounter situations that have not been properly addressed in this Instruction Manual, please contact our Customer Service Center where a technician can address your specific problem or question.

For more information, please visit the official website: www.primada.com.hk

The Company reserves the right to make technological and/or design changes to this product for continuous improvement.

Thank you for choosing!



Contents

- 1. Important Safety Instructions14
- 2. Package Contents and Technical Specifications16
 - 2.1 Technical Specifications16
 - 2.2 Product Diagram17
- 3. Schematic Diagram19
- 4. Operating20
- 5. Cleaning24
- 6. Troubleshooting25

1. Important Safety Instructions

READ ALL INSTRUCTIONS BEFORE USING THIS APPLIANCE.
PLEASE KEEP THE INSTRUCTION MANUAL

Please always follow the basic precautions when using the appliance:

1. Do not block the steam vent and water spout. Hot water can overflow causing burns.
2. This appliance was designed to heat fresh water only.
3. Final circuits using 10A socket outlets to requirements. To prevent electric shock, electrical appliances must be effectively earthed, i.e. the metallic casing of an electrical appliance is connected to the "earth" pin of its plug. It should receive power supply from a single fixed socket outlet to which the connection of any other appliance should be avoided.
4. Never do anything that might cause damage to the cord, power plug or body plug, such as damage them, modify them, place hot objects near to them, bend them, twist them, stretch them, place heavy objects on them, or bundle them together. If the unit is used when damaged, electrical short circuit or fire may result.
5. In order to protect children from the dangers of electronic appliances, never leave them unsupervised with the device. Consequently, when select the location for your dispenser, do so in such a way that children do not have access to the device. Take care to ensure that the cable does not hang down.
6. Avoid touching any electrical appliance, socket outlet or switch if hands are wet.
7. Only connect the machine to a properly installed 220V-240V ~50Hz safety socket.
8. If the supply cord is damaged, it must be replaced by a qualified electrician in order to avoid a hazard, or the product must be disposed.
9. Switch on an electrical appliance only after firmly plugging it into a socket outlet, and unplug an electrical appliance only after switching it off. Otherwise, it may cause hazard arising from sparking.
10. Do not use it outdoors.
11. This product should not be operated by a person who is weak or otherwise (including minors) or who lacks experience and relevant operational knowledge, unless safely used under the supervision of a guardian.
12. For safety reasons, a broken or damaged main lead may only be replaced by an equivalent lead from the manufacturer, our customer service department or a similar qualified person.
13. Do not reach into water.
14. Avoid contact with steam and water outlet. The temperature of the water outlet may be high when the appliance is operating.
15. Place an electrical appliance on a flat and firm surface, and ensure that no excessive tension is applied to its flexible power cord.
16. Keep the device and the cable away from heat, direct sunlight, moisture, sharp edges and suchlike.
17. Do not dismantle and repair the appliance by yourself. DANGER OF AN ELECTRIC SHOCK AND/OR FIRE!
18. Use only fresh water at room temperature without any additive, otherwise this can damage the appliance. While you are using this unit, minerals contained in the water (like calcium) can get stuck on the inner container or on the mesh filter. This is called "scale", and it is harmless. Please clean the inner container using citric acid regularly.
19. This product is design for lower altitudes area use (below 800m), the water boiling temperature might be different.
20. Do not over-fill or under-fill. Always fill water volume between MIN and MAX level marked on the water tank.
21. To prevent danger, do not let water seep into or place any vessel containing water on any electrical appliance. Keep electrical appliances away from windows or balconies.

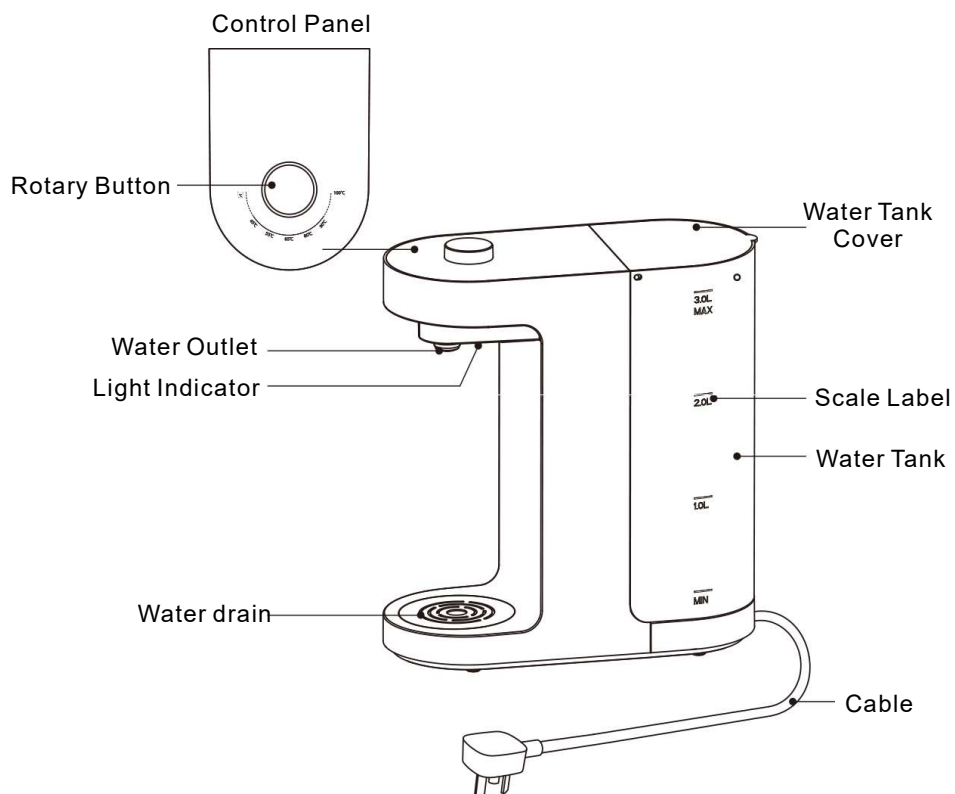
2. Package Contents and Technical Specifications

2.2 Technical Specifications

| | | | |
|--------------|---------------|---------------------|---------------|
| Model | PEK3000 | | |
| Voltage | 220-240V | Frequency | 50Hz |
| Power | 2100W | Degree of hot water | ≥90°C, 20L/H |
| Capacity | 3L | Gross Weight | 2.1kg |
| Product Size | 309x143x320mm | Packing Size | 367x380x180mm |

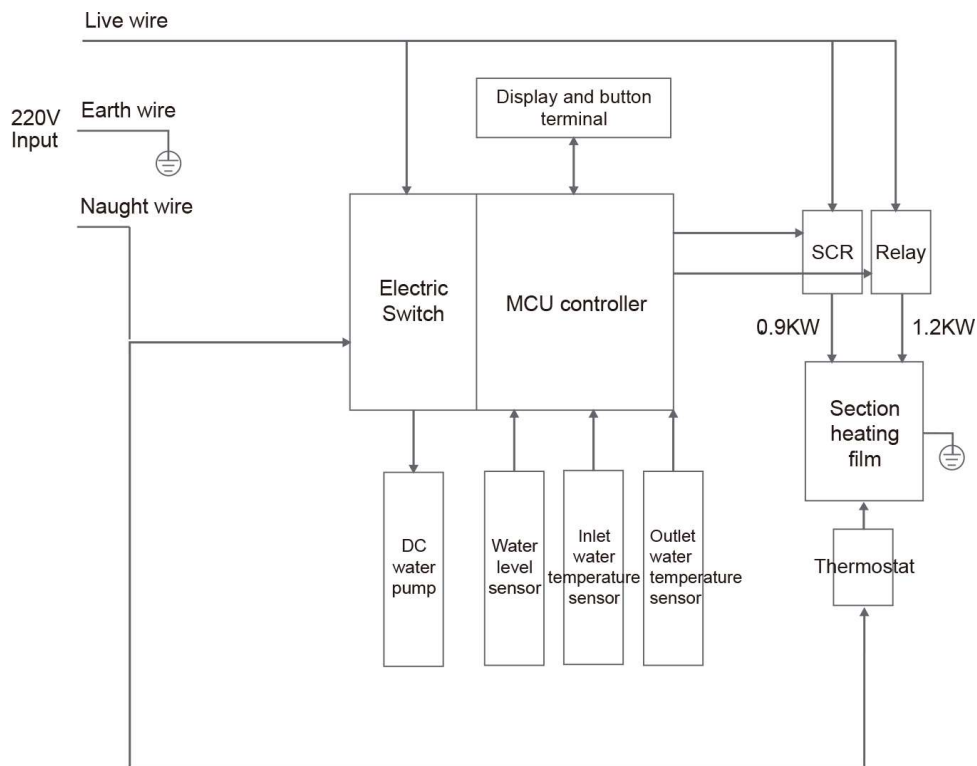
*Package Contents, technical and design specifications may be changed in the course of continuous product improvement.

2.3 Product Diagram





3. Schematic Diagram



4. Operating

1. Fill in the water and plug the appliance into the main power outlet

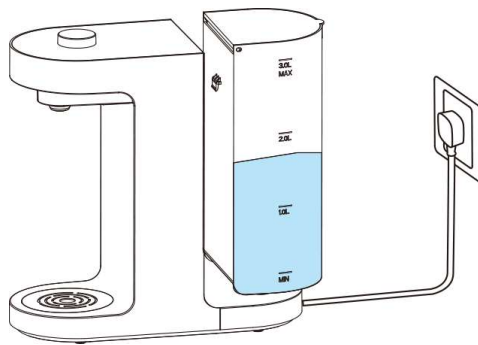
Fill water volume between MIN and MAX level marked on the water tank.

Plug the appliance into a main power outlet. All the lights on the control panel will light up. The room temperature sign will light on normally.

Use only fresh water at room temperature without any additive; otherwise this can damage the appliance.

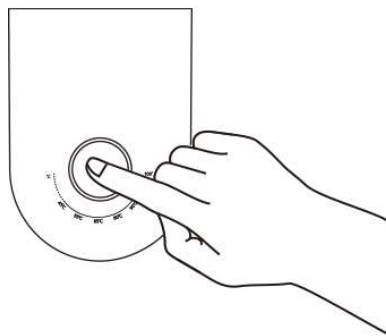
Note: Please ensure the water temperatures are more than 5°C when filling

Attention: Not suitable for dishwasher



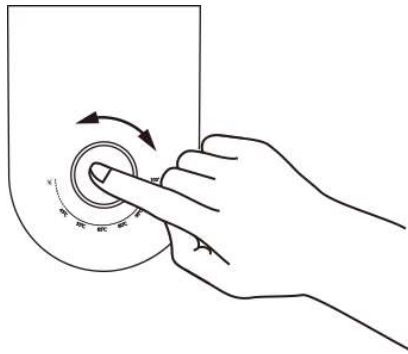
2. Unlock the appliance and dispense water

Turn the button to unlock the safety lock mode. The water dispense indicator light will illuminate when dispensing water. The appliance will automatically go into safety lock mode after 60 seconds if no function is selected on the appliance.



4. Operating

3. Turn the button to select the desired temperature. The water dispenses Indicator light will illuminate when dispensing water.

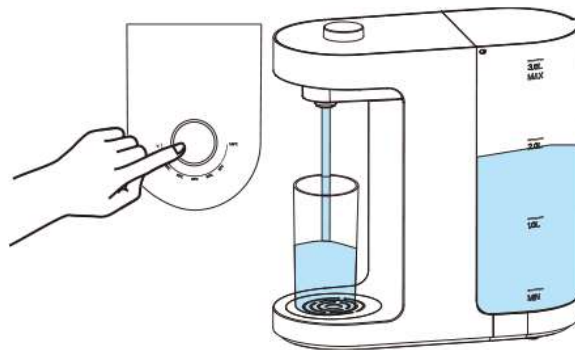


4. Water dispensing

Tap the button, the water will flow out continuously from the water spout. Press the Confirm button to stop the appliance immediately. Repeat if more hot water is required.

Water Flow:
Tap Once: 250ml Water
Tap 1.5 Sec, 1000ml Water

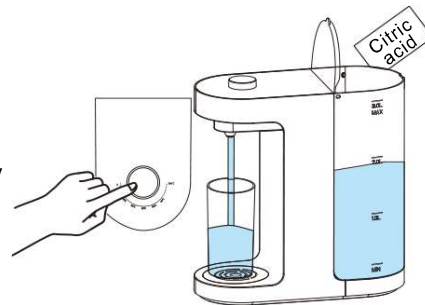
Notice: The appliance may take approximately 7 seconds to resume regular temperature after being plugged in.



5. Cleaning

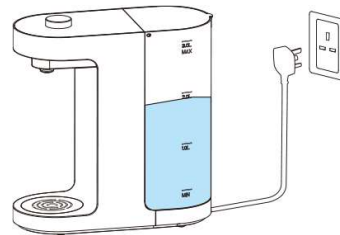
1. Clean the water tank and spout

To maintain performance, it is recommended to descale the appliance at least twice a month: use a toxic-free detergent such as citric acid or vinegar to the tank. Suggest using 50g-100g citric acid with 2.5L water in the first time. Wait until the citric acid is completely dissolved. Tap the button to empty the water tank. After that, fill in 2.5L water, and wait for 5 minutes. Empty the water tank again. Repeat two or three times to complete descaling. Drain boiled water and replace with clean water before operating the appliance again.



2. Refreshing the water

If the water is filling in the tank more than 48hours, please refreshing the water periodically.



3. Always disconnect the appliance from mains power when not in use

Turn the appliance (power) off if you are not going to use it for a long time. Please wait for at least 3 minutes for reheating the water while plugging in the water dispenser. Drain boiled water and replace with clean water before operating the appliance again.

4. Emptying the Water Drain

Remove the water tray by using one hand to stabilize the appliance and another to lift the water drain slightly and remove it. Empty the water drain and replace it with medium force. Clean up the water tray periodically to prevent germs and bacteria.

TIPS:

1. Do not drink the cleaning water.
2. Empty the water tank and pour out the water in the appliance while using the citric acid to prevent from entering the pipeline and causing the product damage.
3. First usage: Fill in 3L Fresh water to the water tank. Turn the button to select the desired temperature. Suggest turn the button from the highest level to the lowest level once in sequence, and empty the water tank.

6. Troubleshooting

Please use this chart to troubleshoot common problems using instant hot water dispenser

| Fault | Possible causes | Solution |
|--|---|--|
| Panel light does not shine | The plug is not in place | Check the plug |
| | Display board failure | Contact the company's customer service department |
| | Thermostat failure | |
| Panel does not work | Button board failure | Contact the company's customer service department |
| Not Heating | Temperature failure | Check the temperature |
| | Board failure | Contact the company's customer service department |
| | Heater failure | |
| All panel lights flash | Heater over temperature | Waiting for cold down |
| The room temperature light flashes, the other lights off | Heater over temperature | Press the water button to return to normal automatically |
| Water flow becomes smaller | Water pump failure | Contact the company's customer service department |
| | Heater blockage | Cleaned by citric acid |
| | There is something between the inlet water tank | Check the water tank |
| No water | Water pump failure | Contact the company's customer service department |
| | Heater blockage | |
| | Board failure | |
| | Hall device abnormal | |
| | There is something between the inlet water tank | Check the water tank |
| | No water or too little water in the water tank | |



獨家代理 Sole Agent :

昇鋒國際有限公司 Pro Logic International Limited

香港九龍紅磡鶴園東街4號恆藝珠寶大廈1樓106-107室

Unit 106-107,1/F, Heng Nagai Jewelry Centre, 4 Hok Yuen Street East,
Hung Hom, Kowloon, HK

Tel: (852) 2365 0655



www.primada.com.hk

分銷商 Distributor :



愛家名品有限公司 iPlusHome Limited

www.iplushome.com

