

慢磨原汁寶
SLOW JUICER

| PSJ270

ZH-HK 說明書

EN Instruction Manual



Primada®
寶康達

ZH-HK	說明書	2
EN	Instruction Manual	12

感謝您選購寶康達產品 — 慢磨原汁寶！
希望您使用愉快，我們相信這款全新的慢磨原汁寶將為您帶來更好的生活體驗。

使用中如果遇到任何問題，請聯絡我們的售後服務中心，將有專業人員為您解答問題。

如欲了解更多產品資訊請登入：www.primada.com.hk
本資料產品以實物為準，原廠保留產品更新的權利，如有變動，恕不另行通知。

感謝您的選擇!

目錄

1. 安全注意事項	.2
2. 產品組成	.3
2.1 包裝隨附物件	.3
2.2 技術參數	.3
2.3 組件名稱	.4
3. 產品使用	.5
3.1 安裝前須知	.5
3.2 安裝方法	.5
3.3 使用說明	.6
3.4 清洗及保養	.8
3.5 使用前注意事項	.8
4. 電路原理圖	.10
5. 疑難排解	.11

1. 安全注意事項

**使用電器產品前請仔細閱讀此說明書的所有內容。
請保管好此說明書。**

使用電器產品時，請保持一貫的警惕性，遵循以下事項：

1. 請核對並確認銘牌上所標註的電源，確保產品是在符合標籤的狀態下使用。
2. 此產品適合於家庭使用，不適合工業或商業使用。
3. 請勿將產品放在靠近煤氣爐或煮食爐等高溫環境中使用。
4. 請勿將產品靠近易燃物品使用，如窗簾或窗紗等。
5. 請勿將產品放置於不平穩的位置。並需與牆面或其他物品保持一定的距離，以保持機器外圍通風良好，確保機器的使用壽命。
6. 請勿使用非本產品製造商提供的零部件及配件。
7. 請勿在無人看管的情況下使用本產品。
8. 產品不能由8歲以下兒童或精神上有障礙的人使用。若需要使用，請在監護人的監護指導下進行。請不要讓兒童將產品作玩具玩耍。
9. 請勿將產品主機，電源線及插頭等浸入水中清洗，以免導致故障或引發不可預期的意外。
10. 請勿使用已有損傷或破裂的電源線或插座。
11. 請勿讓電源線接觸熱的物體表面。
12. 若不使用，請將電源關閉，再拔掉插頭。
13. 拔除插頭時，請勿直接拉扯電源，以免觸電。
14. 使用的電源線必須可靠接地，且拿出或放上攪拌杯部分前請先切斷電源。
15. 請勿用濕的手接觸電源線及電器，以免觸電。
16. 若電源線或插頭出現破損或產品故障時，請將產品送到指定的維修中心修理，切勿自行維修。
17. 請勿自行拆卸或改裝本產品，以免造成組裝不良而引起不可預測的故障及意外。
18. 接通電源前，請確保原汁提取容器、容器蓋及填料口蓋正確安裝。
19. 產品通電時，嚴禁將手或尖銳硬物等伸入杯體內，以免受傷或使產品受損。
20. 本產品連續使用時間控制在30分鐘以內。
21. 各配件禁止放進洗碗機或用熱水(40℃以上)清洗。
22. 沒有放入果汁材料時請不要空轉機器，這是造成螺旋軸損壞的原因。
23. 若忽視安全指示，本公司恕不負損壞責任。

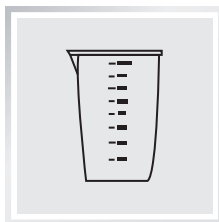
2. 產品組成

2.1 包裝隨附物件

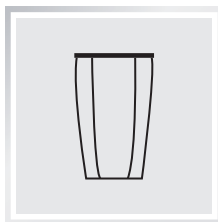
隨機物件



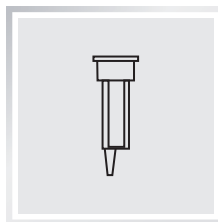
主機



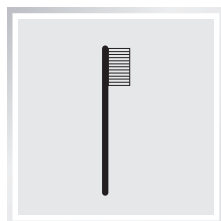
果汁杯



果渣杯



推料杆



清洗刷



電源線



產品保用證



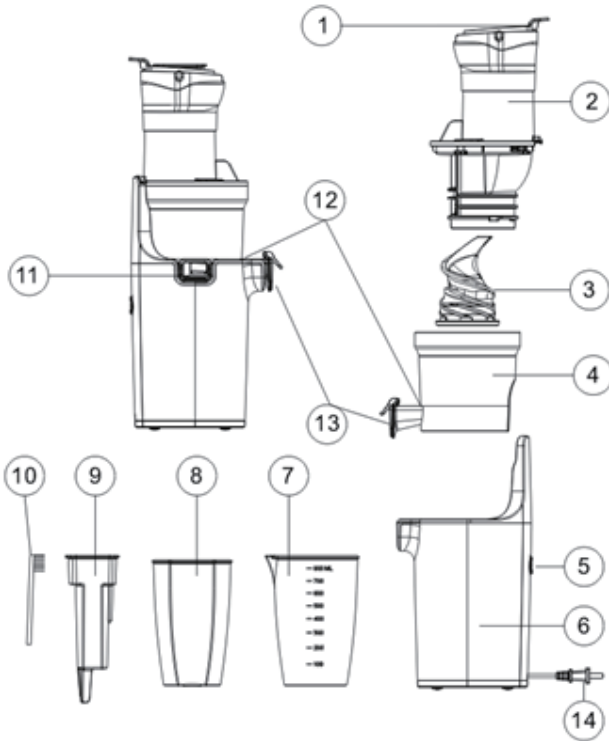
說明書

2.2 技術參數

產品型號	PSJ 270
工作電壓	220-240V
額定功率	200W
頻率	50Hz
連續運作時間	≤ 20分鐘
產品重量	2.58kg
產品尺寸	179(W) x 147(D) x 442(H) mm

* 因產品持續改善，原廠保留產品更新的權利，如有變動，恕不另行通知。

2.3 組件名稱



1	填料口	8	果渣杯
2	食物管道和過濾器組件	9	推料杆
3	螺旋軸	10	清洗刷
4	榨汁碗	11	果渣出口
5	開/關/正反轉按鈕	12	果汁出口
6	主機	13	防滴漏蓋
7	果汁杯	14	電源線

3. 產品使用

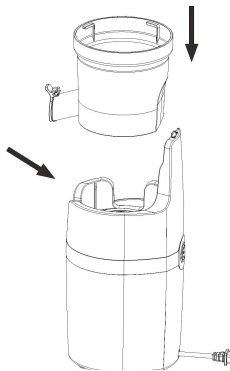
3.1 安裝前須知

- 請在使用原汁提取容器套件前進行充分的清洗
- 請確認矽膠塞和矽膠環是否塞好

3.2 安裝方法

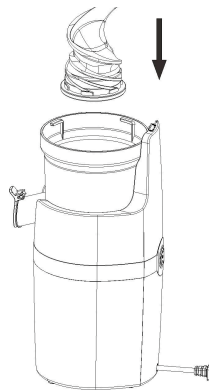
1. 安裝榨汁碗

將榨汁碗出汁口對準主機箭頭指向凹位，輕輕下按。



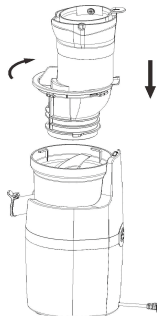
2. 安裝螺旋軸

將螺桿外側凸緣對準榨汁杯底部凹槽，輕輕下按



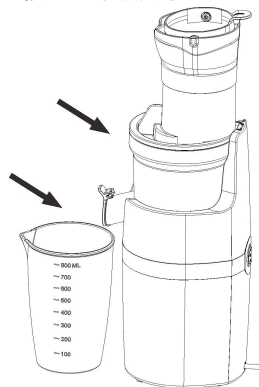
3. 安裝榨汁杯蓋

將榨汁杯蓋底部孔套住螺桿，杯蓋上「▲」的符號對準主機上「☐」，然後輕輕下按並順時針旋轉杯蓋至杯蓋上「▲」的符號對準主機上「☐」符號。



4. 安裝果汁杯和果渣杯

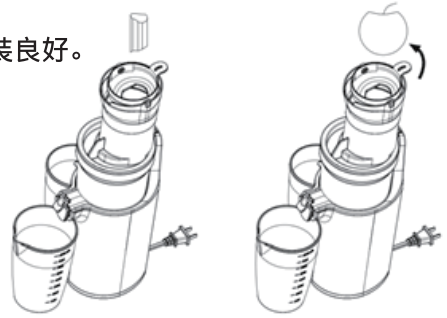
將果汁杯對準果渣杯出汁口，果渣杯對準出渣口靠近主機放好。



3.3 使用說明

操作說明

1. 將設備與電源連接。
2. 檢查並確保所有部件在正確的位置組裝良好。
3. 確保機器處於關閉【0】位置。
4. 確保果汁和果肉容器就位。
5. 確保汁嘴蓋已關閉。
6. 準備水果或蔬菜。
7. 將水果或蔬菜放入滑槽。
8. 將開關按到設置【-】開始榨汁操作。
9. 僅用推桿將食物向下推。
10. 如果碗內有食物卡住，請立即切換到【R】反轉功能。



打開和關閉果汁出口嘴蓋

在榨汁過程中，您可以在榨汁碗中的果汁裝滿之前關閉防滴漏蓋。



果汁出口嘴開



果汁出口嘴關

注意

1. 壓榨前去除硬核或種子，以防止可能損壞壓榨螺桿。
2. 如果要製作混合果汁，請先從較硬的水果開始，然後擠壓較軟的水果。
3. 榨完最後一種原料後，請讓榨汁機運行 30 秒。
4. 榨汁機不適合榨取非常堅硬或纖維質和澱粉質的水果或蔬菜，如甘蔗。有些水果含有過多的澱粉，無法榨汁。例如鱷梨、香蕉、無花果、芒果、木瓜、火龍果、草莓、無籽葡萄等。它們會堵塞不銹鋼篩網。

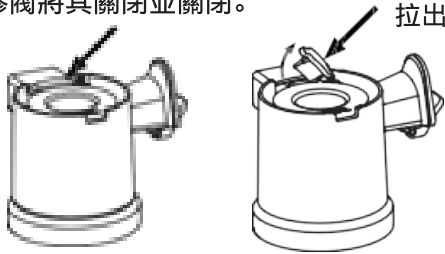
3.4 清洗與保養

注意

- 請勿使用鐵絲刷、磨料或尖銳物體工具清潔設備。
- 請不要使用高於 40° C 的水。
- 切勿在洗碗機中清洗任何部件，以免被熱水損壞。
- 請勿將電源底座放入水中清洗。只能用濕布擦拭。
- 清洗後，請徹底擦乾零件並存放在乾燥、陰涼的地方。
- 每次使用後請立即清洗榨汁部件，否則果肉可能會緊緊粘在機器中，從而影響拆卸、清潔及榨汁的性能。

清洗矽膠閥

如果出漿口有殘留物，請如下圖拉出矽膠閥，用流水清洗。清潔後按下矽膠閥將其關閉並關閉。



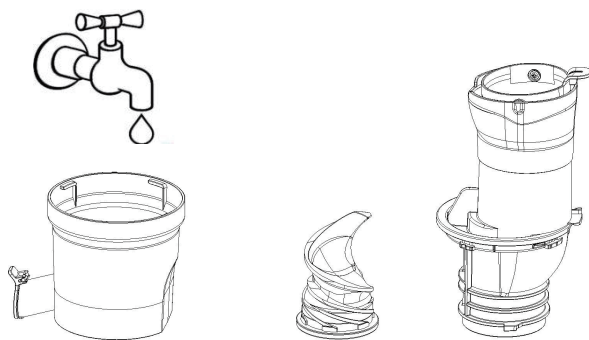
清洗密封環

清洗壓榨碗中央的密封圈，請按以下步驟操作：

1. 將擠壓碗倒轉放以方便操作，用拇指將密封環推出，並用水清洗。
2. 清潔後，請將其放回中心的孔上。請注意稜紋表面是向上的。並確保密封圈的凹槽與密封環緊密配合。
3. 密封圈的大平面會在內壁而小的，有稜紋面的則在擠容器外面。



以下部件可以直接用水沖洗；

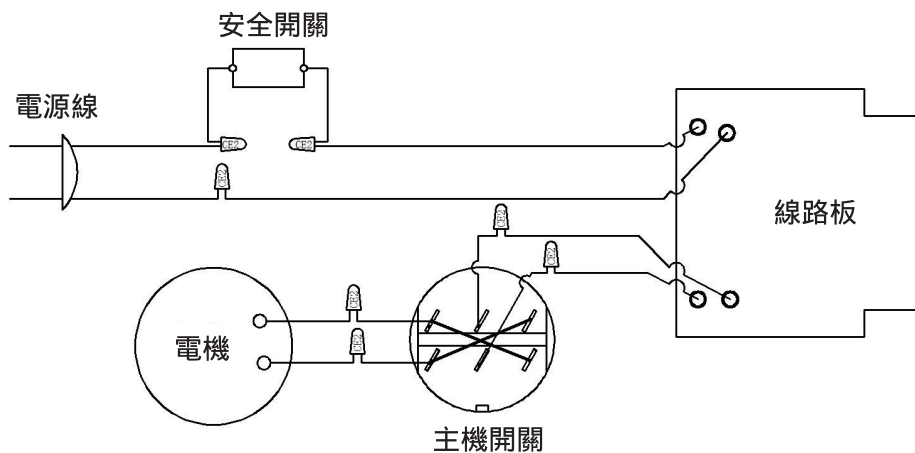


3.5 使用前注意事項

- 沒有放入榨汁料時請不要空轉機器，這是造成螺旋軸損壞的原因。
- 請不要連續使用30分鐘以上，會導致電機過熱，容易發生故障。如果需要連續使用，請使用30分鐘後停止30分鐘，然後再使用。
- 機器運轉時請勿把勺子或筷子等放進出汁口。運轉中若將勺子、筷子等用具伸進出汁口會卡到刮壁器，使配件被破壞。
- 請絕對不要用推料桿以外，如手、勺子、筷子、夾子等往填料口放入。
- 請不要放入乾的殼物或有堅硬的核的果實及冰塊。會導致容器、螺旋軸、過濾網等配件的破損和產生故障。泡過水的豆子、米等殼可以使用，柿子、梅、桃等有核的果類必須先把核去掉後再使用。冷凍的材料，即使核小也要完全解凍後才可使用。冰塊最好不要使用，會使原汁機的使用壽命縮短。
- 請不要使用原果慢磨原汁寶榨植物油(芝麻，野芝麻等)或動物油(食用油、動物脂肪等)含量大的材料。植物/動物油會損傷螺旋軸及降低其性能。
- 如果將慢磨原汁寶排出的果渣再次投入榨汁，會出現停機或容器蓋打不開的現象，所以禁止重複榨汁。
- 使用有籽的材料(覆盆子、葡萄等)後，請將螺旋軸底部的凹槽清洗乾淨。

事項	注意事項	原因
1	禁止榨冰塊	冰塊較硬，容易導致榨汁組件損壞
2	禁止榨乾貨及硬食材	食材較硬，難以被螺旋軸切斷，導致榨汁組件損壞
3	粗纖維食材請先切斷至 5-10CM	纖維太長容易纏繞，導致無法榨汁或者榨汁組件損壞
4	帶有硬核的果實，必須去核後使用	硬核很容易導致榨汁組件損壞
5	禁止使用推料杆以外的物品推送食材	如果使用其他物品推送食材，可能產生機械損壞
6	機器連續工作時間不要太長，時間≤20 分鐘	工作時間過長導致電機發熱，電機容易損壞
7	請不要將已經榨過的水果渣重新投入榨汁	果渣重新榨汁容易導致機器出渣不順
8	請勿投入用酒，蜂蜜，白糖等泡過的水果	會導致榨汁杯蓋打不開
9	請不要將勺子、筷子等塞入投料口、出汁口及出渣口	可能產生機械損壞
10	果汁榨完後，盡量即榨即飲	果汁榨完後很容易氧化，不宜長期保存
11	榨汁過程中，機器有摩擦聲，屬於正常現象	榨汁過程中，水果與榨汁杯產生摩擦聲音，屬正常現象
12	榨汁過程中，榨汁杯細微變形，屬於正常現象	榨汁過程中，由於蔬果體積較大，會導致榨汁杯變形，停機後會恢復正常，不影響使用

4. 電路原理圖



5. 疑難排解

產品使用過程中，若遇以下情況可對照查詢，自主解決。

事項	異常問題	方法
1	器具無法運轉	<ul style="list-style-type: none"> 請確認電源線是否接觸良好。 請確認榨汁杯蓋是否安裝到位。 請確認產品組裝是否按說明書組裝。 以上方法不能解決，請致電客服中心電話進行諮詢。
2	榨汁杯蓋無法打開	<ul style="list-style-type: none"> 請確認榨汁杯中是否有過多的殘渣，如有請按【R】反轉鍵將殘渣排除。 請確認榨汁杯中是否有類似果核硬物卡住，如果有請按【R】反轉鍵將硬物退回至進料口。 以上方法不能解決，請致電客服中心電話進行諮詢，請勿強行拆開。
3	工作中停止運轉	<ul style="list-style-type: none"> 是否投入過多或者過大的食材，可長按【R】反轉鍵反轉機器，取出食材切細後再運行機器。 以上方法不能解決，請致電客服中心電話進行諮詢。
4	榨汁杯底部漏汁	<ul style="list-style-type: none"> 榨汁杯中心矽膠密封圈是否安裝到位。 如果矽膠密封圈裝配到位，請注意是否投入過多的食材，導致矽膠密封圈撐開漏汁。 以上方法不能解決，請致電客服中心電話進行諮詢。
5	榨汁過程中榨汁杯變形或者晃動	<ul style="list-style-type: none"> 器具工作過程中，榨汁杯稍微晃動或變形是屬於正常現象，不屬於故障問題，請不必擔心。

⚠ 注意

本產品帶有安全開關裝置，沒有蓋好蓋子，產品無法工作。

Congratulations on the purchase of your Primada Slow Juicer! We hope it brings you many years of satisfaction.

Should you encounter situations that have not been properly addressed in this Instruction Manual, please contact our Customer Service Center where a technician can address your specific problem or question.

For more information, please visit the official website:
www.primada.com.hk

The Company reserves the right to make technological and/or design changes to this product for continuous improvement.

Thank you for your choosing!

Contents

1. Important safety Instructions	12
2. Package Contents and Technical Specifications	13
2.1 Package contents	13
2.2 Technical Specifications	13
2.3 Product Design	14
3. Operation and usage	15
3.1 Using for first time.	15
3.2 Installation	15
3.3 Operation instruction	16
3.4 Cleaning & Maintenance	17
3.5 Reminders	18
4. Circuit diagram	20
5. Troubleshooting.	21

1. Safety Instructions

Please read the following safety instructions before using this product, and follow all routine safety precautions. Please read this manual carefully. Please keep this manual. Any operation inconsistent with this manual may cause damage to the product.

Safety precautions related to the machine engine and accessories

1. The Unit is designed for household use only.
2. Commercial users will not obtain the regular warranty as stated in the terms of the warranty card.
3. This is not a toy. Please do not let children play with it or use it.
4. Make sure the electricity supply is suitable for this unit.
5. This unit is intended for household use only. Do not use the unit at outdoors or for other purpose than intended.
6. Use the unit only as described in this manual.
7. To prevent from electrical shock, do not immerse the unit, cord set and plug into water.
8. This is not a toy and not to be used by children. Close supervision is required when the unit is used near children.
9. Ensure to unplug the unit when not in use, assembling or disassembling, and before cleaning.
10. The continuous operation time of this product should be within 20 minutes.
11. No-load or overloaded operation of machine is prohibited.
12. Do not touch or move any moving parts during operation of machine.
13. Do not use finger, spoon or chopsticks to push fruits or vegetables into the chute of machine. Only pusher is allowed.
14. Do not open the unit when it is operating.
15. Do not place the unit near any explosives, heated oven or hot surfaces.
16. Operate the unit only on flat surface.
17. Do not let the cords hang over the edge of table or the like.
18. Please hold the plug to disconnect from the power socket.
19. If the parts of product structure is found to be damaged (especially the safety device and power cord), please stop using and send it to service centre to be repaired by qualified technician.
20. This product is not intended operated by persons (including children) with weak physical condition, slow reaction, mental retardation, lack of experience and common sense, unless they are under supervision or instruction by the person who is responsible for their safety.
21. If the screw press should get obstructed, put the juicer in 'rev' mode for about 2 to 3 seconds to let it turn in the opposite direction. After this, try to let the screw turn in the right direction again.
22. Don't use the water that is warmer than 40°C to rinse the appliance parts
23. Never fill the appliance with unknown foods.
24. Make sure that the base of the unit does not get wet.
25. This appliance is suitable to be used in a household environment and in similar surroundings such as: Kitchen for personnel of shops, offices or other similar professional surroundings, farms, hotel or motel rooms and other surroundings with a residential character, guest rooms or similar and travel.
26. Never let the machine work without the ingredients.

Warning

01. This appliance cannot be used with an external timer or a separate remote control.
02. To avoid hazard of electric shock, unplug the unit from power outlet when not in use or before cleaning. If the supply cord is damaged, stop using immediately and bring it back to service centre for repair.
03. This Juicer is not suitable for juicing very hard or fibrous and starchy fruits or vegetables such as Sugar Cane. There are some fruits which contain too much starch to juice. They include Avocado, Bananas, Figs, Mango and Papaya, Dragon fruit, Strawberry, Grape without seeds. They will clog up the stainless steel sieve.

2. Package Contents and Technical Specifications

2.1 Packaging Content

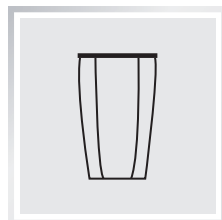
Accessories



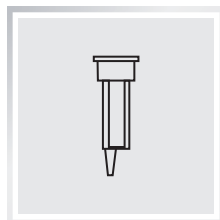
Main



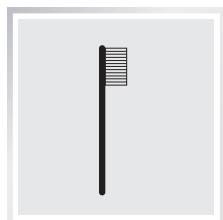
Juice container



Pulp container



Pusher



Cleaning brush



Battery Adapter



Warranty card



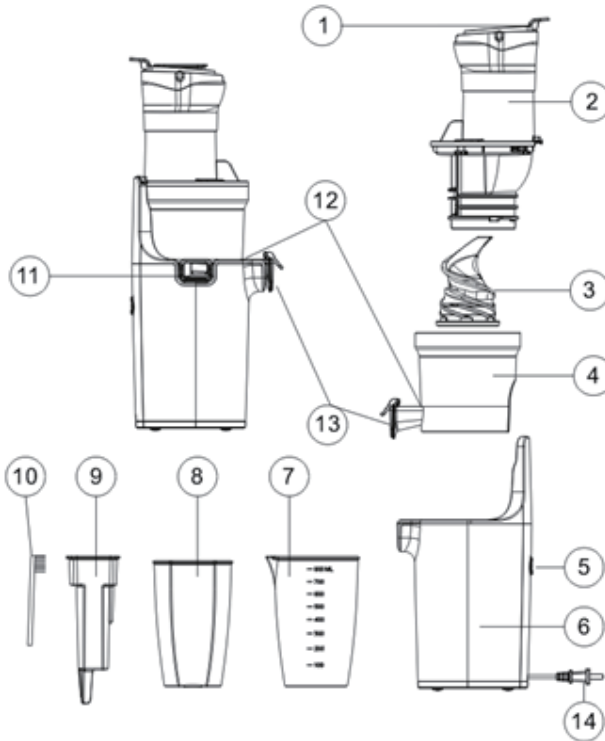
Manual

2.2 Technical Specifications

Model	PSJ 270
Voltage	220–240V
Rated Power	200W
Frequency	50Hz
Working Time	≤20 mins
Weight	2.58kg
Size	179(W) x 147(D) x 442(H) mm

* Package contents, technical and design specifications may be changed in the course of continuous product improvement.

2.3 Product Design



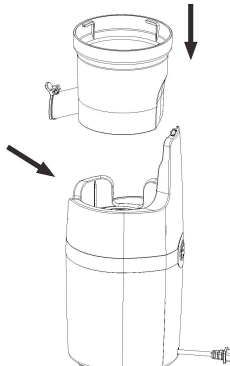
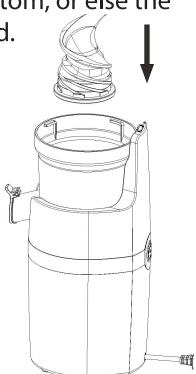
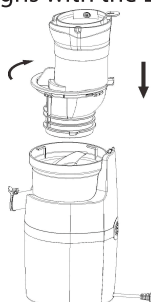
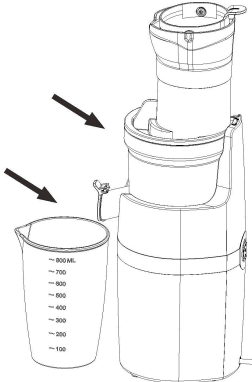
1	Food Tray	8	Pulp container
2	Chute & Strainer	9	Pusher
3	Squeezing Auger	10	Cleaning brush
4	Juicing Bowl	11	Pulp spout
5	On/Off/ Reverse switch	12	Juice Spout
6	Motor Block	13	Drip-stop cover
7	Juice container	14	Power cord

3. Operation and usage

3.1 Using for first time

- Clean the Food Tray / Chute & Strainer Assembly / Squeezing Auger / Juicing Bowl / Pusher with Soapy water. Then rinse and dry thoroughly.
- Make sure the silicone valve and seal ring are on the right location.
- Please make sure the unit is not plugged and the switch is turned to 【O】 setting prior to assembling the machine.

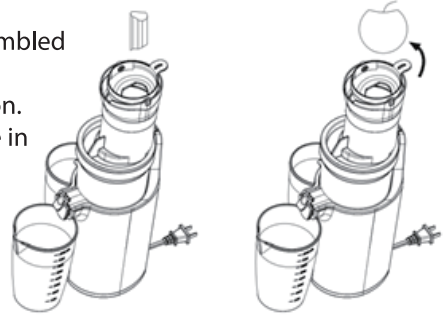
3.2 Installation

<p>1. Install the juicing bowl</p> <p>Position the juicing bowl on the Power base aligning the position of the spouts and the axle.</p> 	<p>2. Install Squeezing Auger</p> <p>Push the squeezing auger firmly into the center of the bowl, making sure that it touches down the bottom, or else the cover cannot be closed.</p> 
<p>3. Install the Chute & Strainer</p> <p>Position the chute on the bowl to align the 【▲】 to the 【☐】 and twist it clockwise until it clicks the safety lock. Please make sure that the arrow 【▲】 on 【☐】 the cover aligns with the Lock graphic on the Bowl.</p> 	<p>4. Install juice & pulp container</p> <p>Place the juice container and the pulp container under the relevant spouts.</p> 

3.3 Operation Instruction

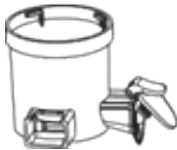
Operation Steps

1. Connect the unit with Power.
2. Check and make sure all parts are well assembled in correct position.
3. Make sure the machine is at off 【O】 position.
4. Make sure the juice and pulp containers are in position.
5. Make sure the juice spout cover is closed.
6. Prepare the fruits or vegetables.
7. Put fruits or vegetables into the chute.
8. Press the switch to Setting 【-】 to start the juicing operation.
9. Push the food down with the pusher only.
10. In case of food stuck inside the Bowl, please switch to 【R】reverse function instantly.



Open & Close of Juice Spout Cover

During the juicing process, you could keep the Drip-stop Cover closed before the juice is full in the juicing bowl.



Juice spout is opened



Juice spout is closed

⚠ Caution

1. Remove hard pits or seeds prior to pressing to prevent possible damage to the squeezing screw.
2. If mixed juices are to be made, please begin with harder fruit, and then squeeze the soft fruit.
3. Please let the juicer to run for 30 seconds after the last ingredient was fed.
4. The juicer is not suitable for juicing very hard or fibrous and starchy fruits or vegetables such as Sugar Cane. There are some fruits which contain too much starch to juice. Some examples are Avocado, Bananas, figs, Mango, Papaya, Dragon Fruit, Strawberry, Grape without seeds etc. They will clog up the stainless steel sieve.

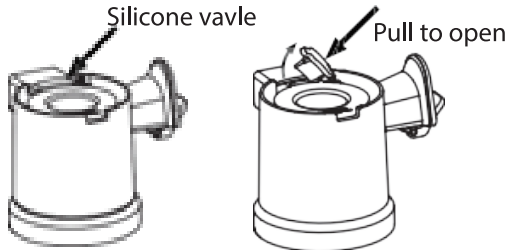
3.4 Clean & Maintenance

Caution

- Do not use iron wire brush, abrasive or sharp object tool to clean the unit.
- Please do not use water above 40°C.
- Never clean any parts in dishwasher to avoid damage by hot water.
- DO NOT IMMERSE THE POWER BASE UNIT IN WATER.
- Please wash the juicing parts every time immediately after each used, otherwise the pulp might stick tightly in Juicing Bowl & Squeezing Auger which will then affect the disassembly, cleaning and juicing performance.
- After cleaning, please dry the parts thoroughly and store them in a dry, cool place.

Clean the silicone valve

In case there is any residues remained in the mouth of the pulp spout, please pull out the silicone valve as shown in below and clean under running water. Press the silicone valve to close it properly and tightly after cleaning.



Clean the seal ring

To Clean the seal ring in the center of the squeezing bowl, please follow the steps as below :

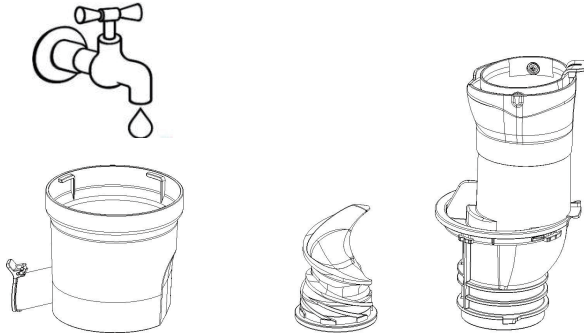
1. Turn the Squeezing Bowl upside down for easier handling, Push the seal ring out with your thumb and clean it with water.

2. After Cleaning, please put it back to the center hole. The small ribbed surface should be should face upward. Make sure the groove of the seal ring well fit in the squeezing bowl.

3. The big flat size of the seal ring will be inside while the small and ribbed side is outside the Squeezing Bowl.



The following parts can be washed directly with water;

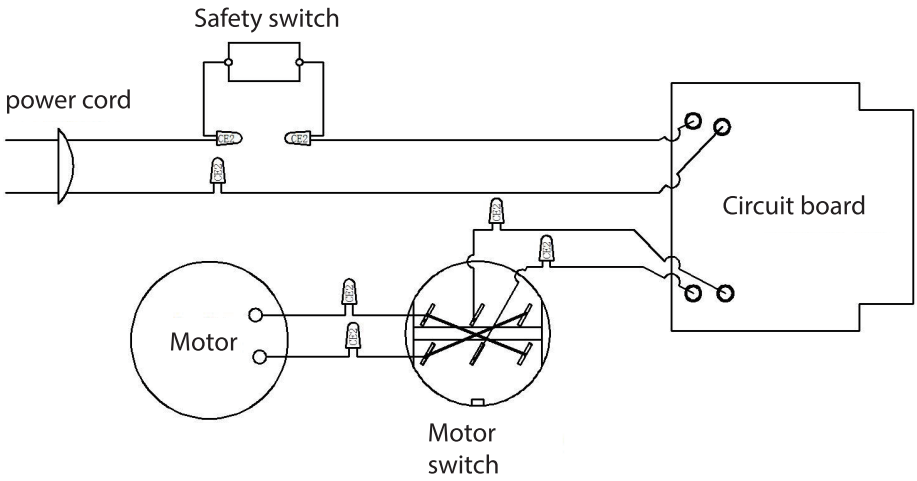


3.5 Reminder

- Operating the juicer without ingredients can cause damage to the screw.
- Do not continuously operate the juicer for more than 30 minutes. This can damage the motor from overheating. After continuous use, let the juicer rest for 30 minutes to cool down before starting another session.
- Do not put fingers or other objects into the feeding tube. Always use provided pusher when needed. If other objects are inserted into the feeding tube during operation, such materials can get stuck and damage the juicer parts and/or cause injury.
- Do not put objects such as fingers, spoons, chopsticks, clamps into the Feeding tube.
- Do not put dried or hard ingredients like whole grains, fruits with hard seeds or ice into the juicer. These may damage the juicer parts (e.g. auger, juicing screw, and strainer). Beans or grains can be used if soaked overnight or boiled. Fruits with pits and hard seeds (e.g. nectarines, peaches, mangoes, and cherries) must be pitted before juicing. Completely thaw before inserting them into the juicer when using frozen fruits with small seeds such as grapes. Inserting ice cubes are not recommended since it may cause damage to the juicing screw.
- Do not use ingredients containing excessive amounts of vegetable oil or animal fat. Do not use the juicer to extract vegetable oil from ingredients. If vegetable/ animal oil gets on the Juicing Screw, it may reduce performance and even damage the juicer.
- Do not reinsert the extracted pulp into the juicer. This can cause the juicer to stop or cause the drum lid not to open.
- After juicing ingredients with seeds like grapes, thoroughly clean all the crevices on the bottom of the juicing screw.

Item	Precautions	Reason
1	Not for Ice cube.	The ice cube is too hard. It may damage the squeezing parts.
2	Do not squeeze dry goods and hard ingredients.	dry goods and hard ingredients might be too hard. It may damage the squeezing parts.
3	The ingredient with long fiber needs to be cut down to 5-8 cm thin strips or 3 x 3 cm cubes.	Long fiber food is easy to wind and block the spout.
4	The peel and pits/seeds must be removed from oranges, lemons, grapefruit and melons before use.	The hard pit or seeds may damage the squeezing parts. The peel may block the spout of pulp.
5	Do not use other accessory as a pusher.	It may damage the juicer and cause injury.
6	Each juicing cycle not longer than 20 minutes.	Working over time may cause damage to the motor.
7	Do not re-squeeze fruit residue.	It may damage the juicer.
8	Do not put in wine, honey, sugar, fruit wine etc.	Will cause the juicer cup lid hard to open.
9	Never put the spoon, chopsticks into the opening of the Chute, the juice and pulp spouts.	It may damage the juicer.
10	After the juice is squeezed, please drink it immediately.	Easy to get oxidize and it is not suitable for long-term storage
11	Is normal to have a friction sound while squeezing juice.	Squeezing juice cause the air molecules nearby to vibrate, then sound is produced.
12	Is normal that the juicing cup is slightly deformed while juicing process.	The large volume of vegetables and fruit might cause deformed. It will not affect the usage.

4. Circuit diagram



5. Trouble shooting

Please use this chart to troubleshoot common problems occurring while using the product.

Item	Precautions	Reason
1	Not working.	<ul style="list-style-type: none"> · Ensure that the power cord is in good connection. · Ensure all components in a right position. · Confirm whether the product assembly is assembled according to the instructions. · Please call the customer service center if still not working.
2	The chute & strainer Assembly cannot be opened.	<ul style="list-style-type: none"> · Please check is there too much pulps inside the bowl. · Press switch to 【R】 setting to eject the pulps backward. · Please call the customer service center if still not working.
3	The juicer stops running suddenly.	<ul style="list-style-type: none"> · Check is there too much ingredients, please cut it to smaller scale. · Press switch to 【R】 setting to eject the large scale ingredients backward. · Please call the customer service center if still not working.
4	The juice yield is low or juice flows out of the main housing.	<ul style="list-style-type: none"> · The Bowl and the silicone valve are not installed properly. · Please re-install the Bowl silicone valve by referring to the installation method. · Please call the customer service center if still not working.
5	Juicing cup is slightly deformed while juicing process.	<ul style="list-style-type: none"> · The large volume of vegetables and fruit might cause deformed. It will not affect the usage. · Please call the customer service center if still not working.

Caution

This product is equipped with a safety switch device, the product cannot work if it is not install properly.



總代理 Sole Agent:

昇鋒國際有限公司 Pro Logic International Limited

香港九龍紅磡鶴園東街4號恆藝珠寶大廈1樓106-107室

Unit 106-107, 1/F, Heng Nagai Jewelry Centrem 4 Hok Yeun Street East,
Hung Hom, Kowloon, HK

Tel: (852) 2365 0655

分銷商 Distributor:

愛家名品有限公司 iPlusHome Limited

香港九龍紅磡鶴園東街4號恆藝珠寶大廈1樓106-107室

www.iplushome.hk



www.primada.com.hk

