

離子吹風機 | RH310  
Speedy Ionic Hair Dryer

ZH-HK

說明書

EN

Instruction Manual



Ragic 朗見

<b>ZH-HK</b>	<b>說明書</b> .....	<b>2</b>
<b>EN</b>	<b>Instruction Manual</b> .....	<b>10</b>

---

感謝您選購朗見產品 — 離子吹風機！

希望您使用愉快，我們相信這款全新的離子吹風機將為您帶來更好的生活體驗。

使用中如果遇到任何問題，請聯絡我們的售後服務中心，將有專業人員為您解答問題。如欲了解更多產品資訊請登入：[www.rogic.com.hk](http://www.rogic.com.hk)

本資料產品以實物為準，原廠保留產品更新的權利，如有變動，恕不另行通知。

感謝您的選擇！

## 目錄

---

1. 安全注意事項 .....	2
2. 產品組成 .....	4
2.1 技術參數 .....	4
2.2 產品部件 .....	4
3. 產品使用 .....	5
3.1 產品使用 .....	5
3.2 安裝和拆卸 .....	6
3.3 清潔與保養 .....	7
4. 疑難排解 .....	8
5. 產品售後服務 .....	9

# 1. 安全注意事項

使用電器產品前請仔細閱讀此說明書的所有內容。  
請保管好此說明書。

使用電器產品時，請保持一貫的警惕性，遵循以下事項：

⊘ 危險	必須禁止的危險行為或操作
⚠ 警告	必須遵守的行為或操作
ⓘ 注意	如果操作錯誤有可能造成人身、物品及財產的損傷

## ⊘ 危險

- 請勿在電源開關開啟的狀態下遠離，否則可能導致火災。
- 請勿在捆著電源線的狀態下使用，否則可能導致觸電或火災。
- 請勿在濕手的情況下將電源插頭連接到家用電源插座中，或從家用電源插座中拔出，否則可能導致觸電和受傷。
- 請勿在手濕的情況下使用，否則可能發生觸電或由於短路而導致火災。
- 請勿在石油或其他易燃品（例如揮髮劑、塗料、稀釋劑、噴霧劑等）附近使用，否則可能導致爆炸或火災。
- 請勿堵塞或將發卡等異物插入出風口、入風口或負離子發射口，否則可能導致燙傷、觸電或火災。
- 請勿放置或存放在靠近浴室、水槽、有水或者其他盛有液體、高度潮濕地地方。否則可能導致爆炸或火災。
- 請勿在存放時將電源線纏繞在本體或手柄上。否則可能導致電源線斷線，發生燙傷、觸電或由於短路而導致火災。
- 請勿存放在兒童和嬰幼兒的接觸範圍內，請勿讓兒童和嬰幼兒玩耍。否則可能導致燙傷、觸電和受傷。
- 請勿自行修理、拆卸或改裝電吹風。否則可能因為起火或動作異常而導致受傷。需要修理時，請聯繫客戶諮詢服務中心。
- 請勿將本電吹風浸泡在水中。請勿在洗澡或淋浴時使用本吹風機。請勿在浴室、淋浴器、洗臉壺或其他器皿附近使用本吹風機。否則可能導致觸電。

## ⓘ 注意

- 請妥善處理本產品的包裝袋和電源插頭保護，請其遠離嬰幼兒。否則可能導致嬰幼兒窒息等意外發生。
- 本產品不宜供肢體、感官或精神上有殘疾者、或缺乏經驗和知識者(包括兒童)使用，必須有監護者從旁監督並對產品的使用加以指導，且對使用者的安全能承擔責任，並應服看好兒童，確保他們不玩耍本產品。否則可能導致意外的發生或受傷。
- 避免摔落電吹風或讓電吹風受到強烈撞擊。否則可能導致觸電或火災。
- 使用過程中，出風口和風嘴可能會變熱，使用時請勿用手觸摸。否則可能導致燙傷。
- 請勿在入風口破損的狀態下使用。否則頭髮可能捲入入風口，導致頭髮受損。
- 請勿對嬰兒使用。否則可能造成燙傷。

07. 電源線在扭曲的狀態下請勿收納。否則可能導致電源線斷線，發生觸電或由於短路而導致火災。
08. 請僅用於吹乾頭髮和整髮，請勿給寵物使用和來吹乾鞋子和農物等。否則可能導致燙傷和火災。
09. 入風口和頭髮之間請保持10cm以上的距離。否則可能會導致頭髮被吸入吹風機內，從而導致受損。
10. 出風口和頭髮之間請保持6cm以上的距離。否則可能會導致頭髮的灼傷。
11. 本電吹風自帶過熱保護裝置，能在電吹風溫度過高的時候，自動切換成冷風。此時立刻關閉電源並關並從電源插座上拔下插頭，讓它冷卻幾分鐘後再使用，檢查入風口和出風口沒有線毛或頭髮時，再開啟電源開關。
12. 請勿使用酒精、洗甲水、或洗滌劑（如洗手液）等。否則可能會導致故障、破裂或褪色。
13. 收納電吹風時，如果仍有護髮產品或化妝品粘附在手柄或機身上，可能會使塑料降解，導致褪色、破裂和故障。

#### 警告

01. 電源線或插頭損壞、發熱時，請勿使用。否則可能導致燙傷、觸電或由於短路而導致火災。
02. 插入插座的電源插頭鬆動時，請勿使用。否則可能導致燙傷、觸電或因短路而引發火災。
03. 請勿損壞或改裝、用力彎曲、拉拔或扭曲電源線，請勿在電源線上面放置重物或擠壓電源線，否則可能導致觸電或因短路而引發火災。
04. 發生異常和故障時，請立即停止使用並拔下電源。在這情況下使用本產品可能會導致觸電、受傷或火災。
05. 異常或故障的例子。經常停止、內部發紅及有煙冒出。請立即聯繫客戶諮詢服務中心。
06. 定期清潔電源插頭，防止灰塵積聚。否則可能因潮濕造成絕緣故障，從而引發火災。斷開電源插頭，再用乾布擦拭。
07. 電吹風吹熱風時，如果在出風口看見火花，請停止使用，清除出風口及入風口附著的灰塵。否則可能導致燙傷或火災。
08. 按下電源插頭時，請勿拉扯電源線，請務必握著電源插頭拔出。否則可能導致電源線斷線，發生燙傷、觸電、或由於短路引起火災。
09. 充分插入電源插頭。請務必使用AC 220V電壓。請單獨使用插座，不要使用電源接線板。否則可能導致觸電或火災。
10. 使用後請務必將電源開關設置為0檔狀態，特電源插頭從插座上拔出。否則可能導致燙傷或火災。
11. 本產品必須安裝固定在洗澡或淋浴時的及不到的地方，並且產品的安裝固定須保證手持部分在完全拉直時，洗澡和淋浴時仍無法觸及。否則可能導致意外的發生或受傷。
12. 如果電源線損壞，為避免危險，必須由製造商、其維修部或類似部門的專業人員更換。
13. 為了保障您的安全，建議在浴室供電的電氣迴路中安裝一個額定漏電動作電流不超過30mA的漏電保護裝置(RCD)，向RCD安裝商諮詢。
14. 在浴室使用後拔下插頭，因為即使電吹風斷電後，接近水仍存在危險。否則可能導致意外的發生或受傷。

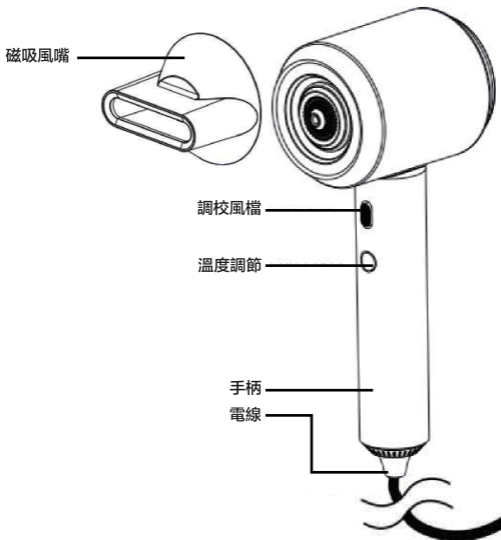
## 2. 產品組成

### 2.1 技術參數

產品型號	RH310
額定電壓	AC220~240V 50Hz
額定功率	1800W(350~1800W)
電線長度	1.8米

\* 因產品持續改善，原廠保留產品更新的權利，如有變動，恕不另行通知。

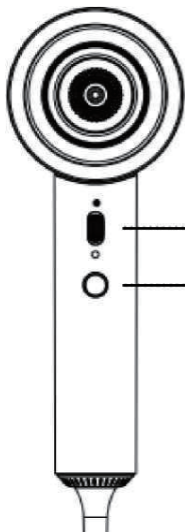
### 2.2 產品部件



### 3. 產品使用

#### 3.1 產品使用

1. 使用本產品前，請檢查進風口及出風口，確保沒有被雜物堵塞。
2. 插上電源線，模式指示燈會循環閃爍並進入待機狀態。
3. 輕按調校風檔鍵，選擇所需要使用的風檔。如需切換溫度，可以按動溫度調節以調校。
4. 調校風檔為【0】以停止吹風機運作。



調校風檔  
 0: 關機;  
 I: 一檔風;  
 II: 二檔風。  
 溫度調節

提示燈	溫度調節功能
藍色	冷風模式
綠色	暖風模式 (約60度)
紫色	正常模式 (約80度)
紅色	快乾模式 (約100度)

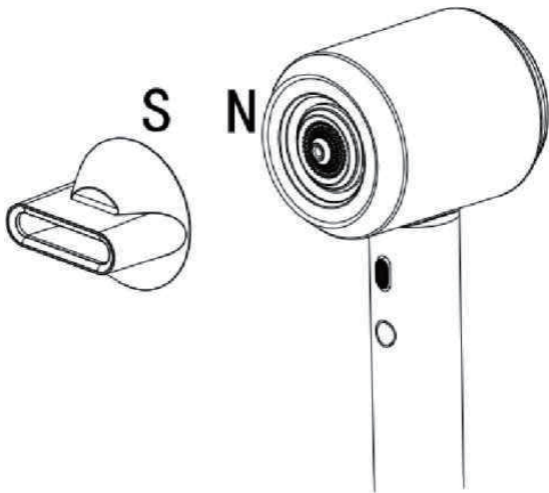
### 3.2 安裝和拆卸

#### 安裝:

將出風嘴移到圓形出風口附近，磁性風嘴會將自動被磁化到出風口噴嘴。噴嘴可以360度自由旋轉。

#### 拆卸:

只需從圓形出風口取下出風嘴即可。





### 3.3 清潔與保養

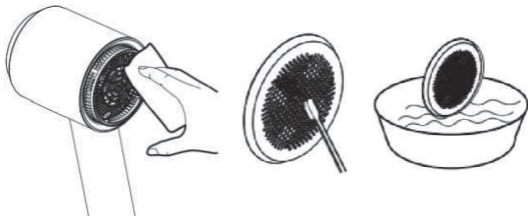
**i 注意**

- 請定時清潔吹風機。將柔軟及不起毛絮的布以清水或肥皂水沾濕，然後用來清潔吹風機外殼。
- 存放吹風機時，請檢查是否仍有護髮產品或化妝品粘連於吹風機手柄或主體上，可能會降解塑料、導致變色、開裂或變形。



**清潔方法:**

- 先用逆時針方向擰下第一層進氣網。
- 再使用紙巾或牙刷去除依附於入氣口的灰塵、頭髮或其他雜物。
- 請勿用指甲或銳器按壓或摩擦入氣口以免損壞物品。
- 再使用紙巾、牙刷或沖水去移除依附於第一層網罩的灰塵、頭髮或其他雜物。建議一個月可清潔一次網罩。



## 4. 疑難排解

產品使用過程中，若遇上以下情況可對照查詢，自主解決。

常見問題	原因分析	解決方案
熱風運行時，冷風不定時出現。可能會出現火花。（火花是因熱敏開關作為保護裝置而引發的，沒有危險性）	當進風口和出風口被灰塵、頭髮、手等物件堵塞時，熱敏開關就會啟動。在啟動過程中，經常會吹出冷空氣。	清除積聚的灰塵，不要堵塞進氣口。
熱風異常過熱		
插頭異常過熱	連接產品的插座可能鬆脫/未連接好	請使用不會鬆脫的插座/把插頭插好
間歇性輸出風		
電源線異常過熱	產品異常	立即停止使用，並聯絡客戶服務中心
產品使用過程中，產生異常震動或聲音		
產品手柄及機身過熱		
產品手柄及機身變形		
產品使用過程中，產生異常味道		

**注意!** 如果電源線損壞，需用專用工具，必須到指定的維修服務中心更換。在委託維修服務中心之前，請先檢查以上各點。

## 5. 產品售後服務

---

### 產品保用條例

多謝閣下選購朗見Rogic產品，為確保產品之優良品質，選購所有產品於出廠前必經嚴格品質檢查。本公司並向用戶提供免費保用服務。

保用條款如下：

1. 由購買日起之一年保用期內，電器機件發生故障時，經本公司技術人員證實該機故障屬正常使用下發生，本公司將提供免費修理及零件更換、而更換後之損壞零件將歸屬本公司。
2. 免費保用服務不適用於：A.機身外殼及 B.產品損耗件、配件或附件。
3. 在下列情況下，本保用證將會自動失效：  
(甲) 產品曾因被錯誤操作，疏忽或因天災人禍等意外事件引致機身或機件損壞；  
(乙) 產品曾被非本公司技術員修理或改裝  
(丙) 產品機身號碼曾被轉換，塗改或除去；  
(丁) 產品不按原廠提供之安裝指示；  
(戊) 產品做商業用途
4. 本公司將不負責任何由於器材損壞而直接或間接招致之損失。
5. 產品如需維修時，用戶需自行將產品送往維修部及於修妥後自行取回。
6. 本保用證只適用於香港及澳門特別行政區。
7. 請妥存正式購買收據，於修理時一併出示予本公司技術員查閱方為有效。

特定產品之保用資訊，可登入[www.rogic.hk](http://www.rogic.hk)之產品資料頁面查閱。

---

Congratulations on the purchase of your Rogic Speedy Ionic Hair Dryer. We hope it brings you many years of satisfaction.

Should you encounter situations that have not been properly addressed in this Instruction Manual, please contact our Customer Service Center where a technician can address your specific problem or question.

For more information, please visit the official website:  
[www.rogic.com.hk](http://www.rogic.com.hk)

The Company reserves the right to make technological and/or design changes to this product for continuous improvement.

Thank your for your choosing!

# Contents

---

<b>1. Important safety Instructions</b> . . . . .	<b>10</b>
<b>2. Package Contents and Technical Specifications</b> . . . . .	<b>12</b>
2.1 Technical Specifications . . . . .	12
2.2 Product Design . . . . .	12
<b>3. Usage</b> . . . . .	<b>13</b>
3.1 Steps for usage . . . . .	13
3.2 Installation & Removal . . . . .	14
3.3 Clean & Maintenance . . . . .	15
<b>4. Troubleshooting</b> . . . . .	<b>16</b>
<b>5. Customer Service</b> . . . . .	<b>17</b>

# 1. Important Safety Instructions

**READ ALL INSTRUCTIONS BEFORE USING THIS APPLIANCE.  
PLEASE KEEP THE INSTRUCTION MANUAL**

When using our product, basic precautions should always be followed, including the following:

- Do not use when the power cord or plug is damaged or hot.
- Do not use when the power plug inserted into the socket is Loose.
- Do not damage or modify or forcefully bend, pull, or twist the power cord. In addition, do not place heavy objects or squeeze the power cord.
- Do not use it with the power cord bundled.
- Do not Leave the appliance unattended when powered on.
- Do not connect the power plug to or unplug from the household power socket when your hands are wet.
- Do not use with wet hands.
- Do not use near Liquefied petroleum gas or other flammable products (such as volatile agents, paints thinners, sprays, etc.).
- Do not block or insert foreign objects such as hairpins into the air outlet, air inlet and ion-poor emitter.
- Do not place or store near the bathroom, sink, water, or other places filled with liquids and high humidity.
- Do not wrap the power cord around the body and handle during storage.
- Do not store it within the reach of children and infants, and do not allow children or infants to play with the appliance.
- Do not repair, disassemble, or modify the hair dryer yourself. When repairs are needed please contact the kogon.com.
- Do not soak the hair dryer in water.
- Do not use this hair dryer in the bath or shower. Do not use this hair dryer near a bathtub, shower basin or other vessels containing water.
- In the event of an abnormality or failure, please stop using it immediately, unplug the power supply, and contact the customer services centre. Clean the power plug regularly to prevent dust accumulation. Disconnect the power plug and wipe with a dry cloth.
- When unplugging the power plug, do not pull the power cord; always pull it out by holding the power plug.
- Fully insert the power plug. Please use the socket alone; do not use a power terminal block.
- When the hair dryer blows hot air, if you see sparks at the air outlet, please stop using it and remove the dust attached to the outlet and the air outlet.

- After use, please be sure to set the power switch to the [0] position and pull out the power plug from the socket.
- This product must be installed and fixed in a place that cannot be touched during bathing.
- To protect your safety, it is recommended to install a leakage protection device (ROD) with a rated leakage action current not exceeding 30 mA in the electrical circuit of the bathroom power supply and consult the ROD installer.
- If the power cord is damaged, to avoid danger, it must be replaced by the accredited staff.
- Properly dispose of the packaging bag and power plug protection of this product to keep away from babies.
- This product is not suitable for use by persons with physical, sensory, or mental disabilities or persons who lack experience and knowledge (including children). A guardian must supervise and guide the use of this product and be responsible for the safety of the user.
- Avoid dropping the hair dryer or subjecting the hair dryer to strong shocks, which can cause electric shock or fire.
- During use, the air outlet and nozzle may become hot, please do not touch it with your hands.
- Do not use it when the air inlet is damaged.
- Do not use on babies.
- Please use it only for low-drying and styling. Do not use it for pets or low-drying clothing.
- Please keep more than 10 cm between the air inlet and your hair.
- Please keep more than 6cm between the air outlet and the hair.

This hair dryer comes with an overheating protection device, which can automatically switch to cold air when the temperature of the hair dryer is too high.

When this occurs, it is recommended to immediately turn off the power switch and unplug the plug from the power socket, let it cool down for a few minutes before using it. Check that there is no thread or hair at the air inlet and outlet and then turn on the power switch.

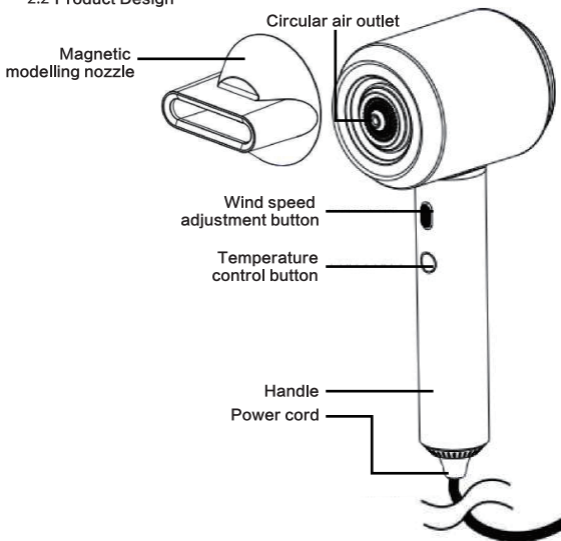
## 2. Package Contents and Technical Specifications

### 2.1 Technical Specifications

Model	RH310		
Voltage	AC220~240V	Frequency	50Hz
Power	1800W(350~1800W)		
Power cord length	1.8m		

\* Package Contents and Technical and design specifications may be changed in the course of continuous product improvement.

### 2.2 Product Design

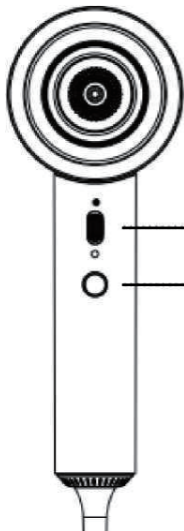




## 3. Usage

### 3.1 Steps for usage

1. Before using this product, check the air inlet and outlet to ensure that they are not blocked by fluff, hair, or other items.
2. Plug in the power cable, and the four-color mode indicator light will flash cyclically and enter the standby mode.
3. Turn on the wind speed button to adjust the level. Turn to [O] mean close.
4. Press the temperature control button to adjust the temperature.



Wind speed adjustment button

O: Close;

I: Wind speed level 1

II: Wind speed level 2

Temperature control button

Indicator light	Function
Blue	Cool mode
Green	Scalop mode(60 degrees)
Purple	Regular mode(80 degrees)
Red	Quick dry mode(100 degrees)

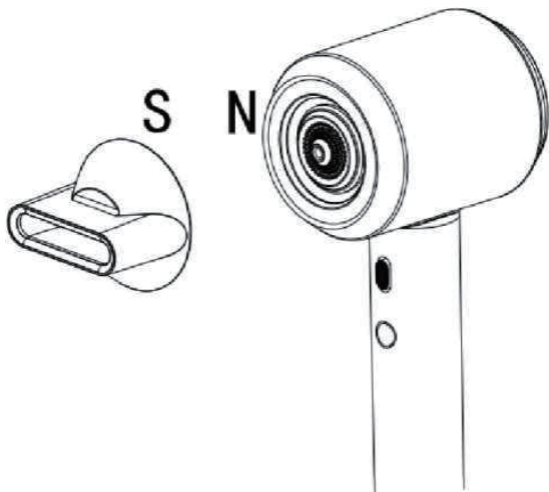
### 3.2 Installation and removal

**Install:**

Move the modelling air nozzle near the circular air outlet and the magnetic air nozzle will automatically be magnetised to the air outlet. The nozzle can rotate freely in 360 degrees.

**Remove:**

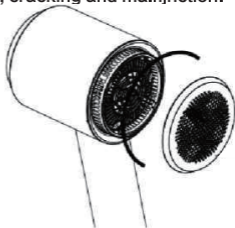
Remove the modelling air nozzle from the circular air outlet to detach.



### 3.3 Clean & Maintenance

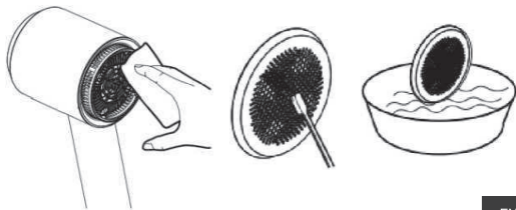
#### ① Attention

- Clean the hair dryer when it gets dirty. Use a soft cloth slightly dampened with tap water or soapy water to clean the case.
- When storing the hair dryer, if there are still hair care products or cosmetics sticking to the handle or body it may degrade the plastic, causing discoloration, cracking and malfunction.



#### Cleaning method:

- Unscrew the first layer of air intake grille in an anticlockwise direction.
- Use a paper towel or toothbrush to remove dust, hair, and other attachments from the air inlet.
- Do not press or rub the air inlet with your nails or sharp objects to avoid damage.
- Use paper towel or a toothbrush to remove dust, hair, and other attachments on the first layer of mesh cover, or rinse with water to drain. Please clean the air inlet at least once a month



## 4. Troubleshooting



### Warning

To reduce the risk of electric shock, turn power switch off and disconnect plug from electrical outlet before performing maintenance or troubleshooting checks.

Default	Possible causes	Action
<p><b>During the operation of hot air, cold air is often present. Sparks may appear. (The spark is caused by the action of the thermal switch as a protection device and is not dangerous)</b></p>	<p>When the air inlet and outlet are blocked by dust, the thermal switch will be activated, and cold air will often be blown out during activation. The air inlet is blocked by hair, hands, etc.</p>	<p>Remove the accumulated dust. Do not block the air inlet.</p>
<p><b>The hot air is overheating abnormally</b></p>		
<p><b>The power plug is abnormally overheated.</b></p>	<p>The socket to which the product is connected may be loose.</p>	<p>Please use a socket that is not loose</p>
<p><b>The air output is intermittent.</b></p>		
<p><b>The power cord is abnormally overheated.</b></p>	<p>The power cord is damaged</p>	<p>Discontinue use immediately and contact with customer service centre.</p>
<p><b>There is no wind during the operation of the product and the interior is red.</b></p>	<p>Abnormal situation</p>	<p>Discontinue use immediately and contact with customer service centre.</p>
<p><b>There are abnormal sounds and vibrations during the use of the product.</b></p>		
<p><b>The product body and handle are overheated abnormally.</b></p>		
<p><b>The product body and handle are deformed.</b></p>		
<p><b>There is a burring smell during use.</b></p>		

If you are unable to resolve the issue using the above methods, please contact customer service centre.

## 5. Customer Service

---

### WARRANTY CONDITIONS

Thank you for purchasing ROGIC products, for the sake of excellent quality of our products, we certify that ROGIC products on this warranty is free of defect in materials and workmanship the end user is entitled to this warranty subject to the terms and conditions listed below:

- (1) For any defect, in the judgement of our technicians, caused under normal usage, is responsible for repairing and replacing parts free of charge within the first year free warranty period (except accessories and some parts), any replaced defective parts will become the company's property.
- (2) For the information of designated product, please visit [www.rogic.hk](http://www.rogic.hk) for details.
- (3) This warranty is invalid in the following cases:
  - (a) If the product has been damaged out of misuse, negligence, accident and natural disaster.
  - (b) If the product has been repaired, modified by persons other than PRO LOGIC INTERNATIONAL LIMITED.
  - (c) If the serial number has been altered, effaced and/or removed.
  - (d) Fail to follow the installation instructions provided.
  - (e) Machines for commercial use.
- (4) The company will not be liable for any loss directly or indirectly caused from breakdown of the equipment.
- (5) Customer will be requested to bring the product to and from our service centre whenever service is required.
- (6) This warranty is applicable in HongKong and Macau areas only.
- (7) Please keep and present this warranty card together with official purchase invoice to our technicians for inspection during each service.



總代理 Sole Agent:

昇鋒國際有限公司 Pro Logic International Limited

香港九龍紅磡鶴園東街4號恆藝珠寶大廈1樓106-107室

Unit 106-107, 1/F, Heng Nagai Jewelry Centrem 4 Hok Yeun Street East,  
Hung Hom, Kowloon, HK

Tel: (852) 2365 0655

分銷商 Distributor:



愛家名品有限公司 iPlusHome Limited

[www.iplushome.hk](http://www.iplushome.hk)