

Ref. 16800

SET OF 6 HYDRAULIC TABLE SUPPORTS 54386

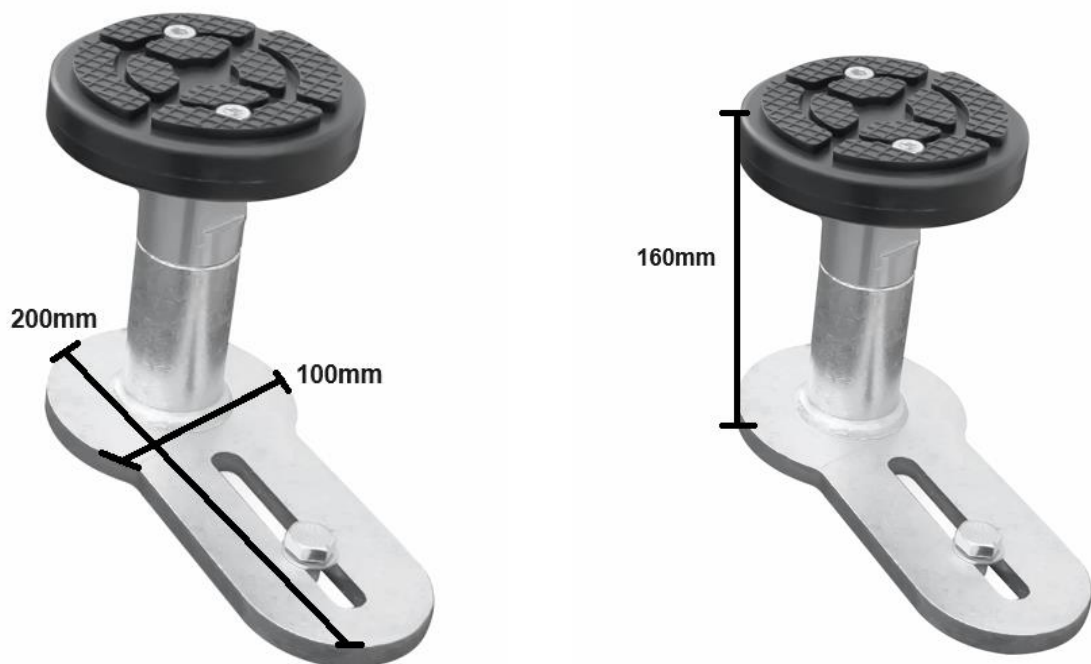
Description

Hydraulic table supports have several important function that enhance efficiency and safety in various industrial and maintains applications. They are essential for maximizing the utility and safety of hydraulic tables in a variety of work environments.

Advantages

- ✓ Enhanced stability
- ✓ Load Capacity
- ✓ Improved Safety

Technical specifications





TECHNICAL DATASHEET



Result:

