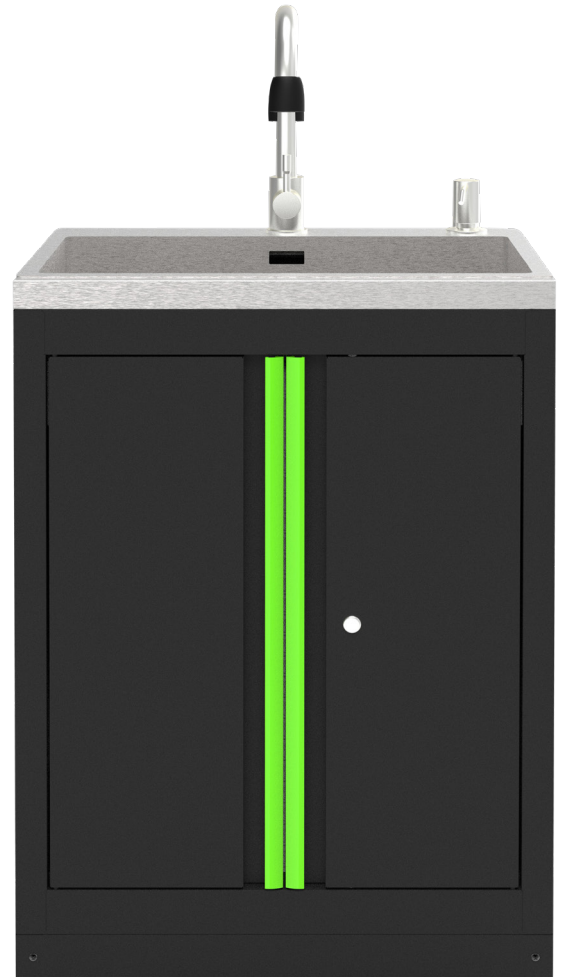
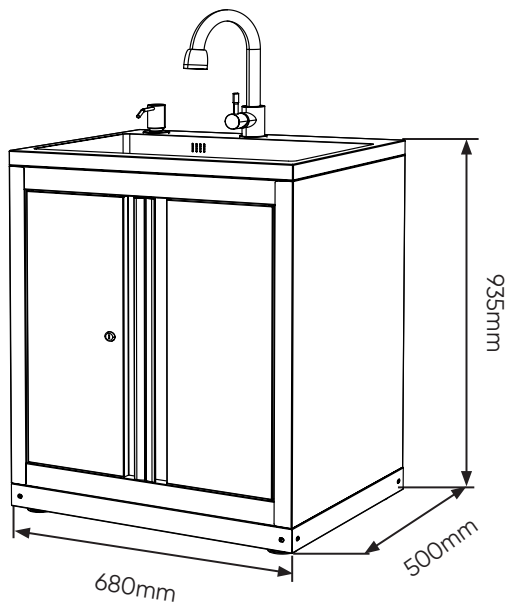


18103

CABINET WITH INTEGRATED SINK

TECHNICAL SPECIFICATIONS

Pieces	1
Material	Hierro/Steel + Acero inoxidable/Stainless Steel
Weight	34,50Kg
Dimensions (LxWxH)	680x500x935mm



IT CONTAINS

- x1 18130 REPLACEMENT DESIGNER PIPE FOR SINK CABINET 18103
- x1 18131 TAP FOR SINK CABINET 18103
- x1 18132 SMALL TAP FOR SINK CABINET 18103