

VALIGETTA PORTAUTENSILI ISOLATI 20 PEZZI DI 3/8"

3,3 3 72
Kg

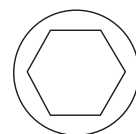
Materiale: **CR-V**



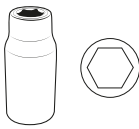
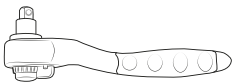
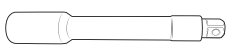
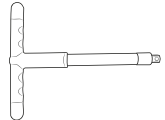

20
PCS

CrV

3/8"



COMPRESO DA

	3/8"	x12	8, 10, 11, 12, 13, 14, 16, 17, 18, 19, 21, 22mm
	1/2"	x1	200mm
	1/2"	x2	125, 250mm
	3/8"	x1	200mm
	3/8"	x4 75mm	4, 5, 6, 8mm

