

ref. 54173

# RECHARGEABLE LED BEACON MAGNET BASE

## Function

Suitable to correctly indicate vehicle's position.

Thanks to its built-in battery, it supports two types of operation. You can use it connected to a power cable or without a cable.

## Advantages

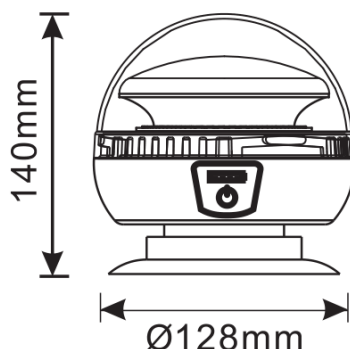
- ✓ Easy to mount
- ✓ No cable needed
- ✓ With battery charge indicator
- ✓ With different light functions



## Technical specifications

Light source	45pcs
Power	20W
Input voltage	DC5V
Function	Single flashing, dual flashing and rotating,
Battery	7.4V/2200 mA
Charging time	2-3 hours
Discharging time	2-3 hours
Lens material	PC
Base material	ABS
Waterproof	IP65
Working temperature	-30°C ~ 50°C
Weight	0,622kg

## Measurements



## Contents

- LED Beacon
- USB cable

