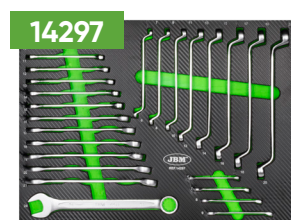
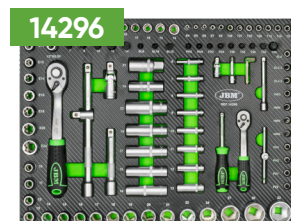


**SERIE446**

SET DI MOBILI componibili per officina (18 pezzi) + SET DI 4 MODULI DI UTENSILI IN CARBONIO EVA


**INCLUDE**

x1	16490	MOBILE ALTO (RIF. 54327)
x1	16627	ARMADIO CON 4 CASSETTI (REF.54327)
x1	16628	ARMADIO A 6 CASSETTI (REF.54327)
x1	16500	MOBILE A 2 ANTE (RIF.54327)
x3	16494	ARMADIO A MURO (RIF. 54327)
x6	16498	PANNELLO 680X340X25MM (RIF.54327)
x1	16629	TAVOLO DA LAVORO MDF 2040X500X38MM (REF.54327)
x3	16561	BARRA DI SUPPORTO (RIF.54327)

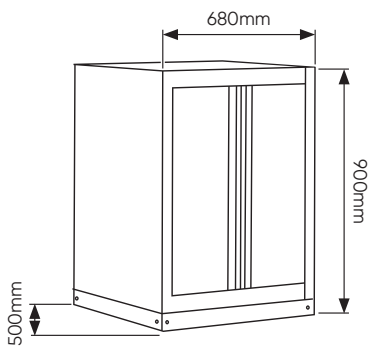
**JBM CAMPLLONG S.L.**

CIM La Selva - Ctra. Aeropuerto, Km 1,6 Nave 2.2 CP 17185  
 Vilobí d'Onyar - GIRONA - ESB17419292 - SPAIN

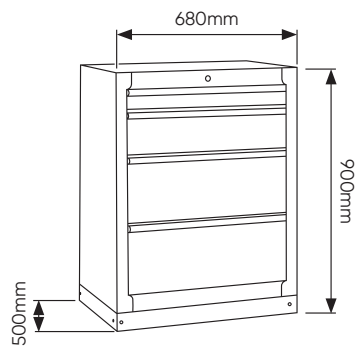
[www.jbmcamp.com](http://www.jbmcamp.com)  
[jbm@jbmcamp.com](mailto:jbm@jbmcamp.com)  
 +34 972 24 55 53

**COMPONENTI**

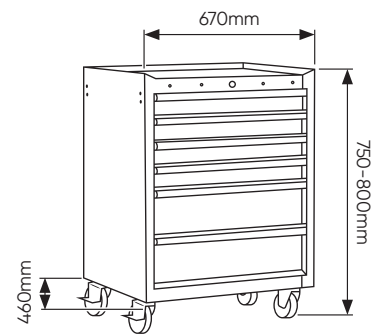
**16500**



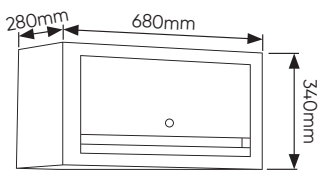
**16628**



**16627**

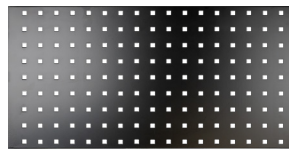


**16494**

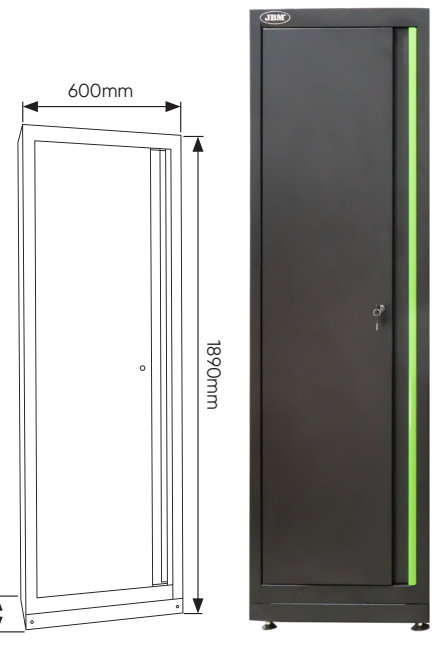


**16498**

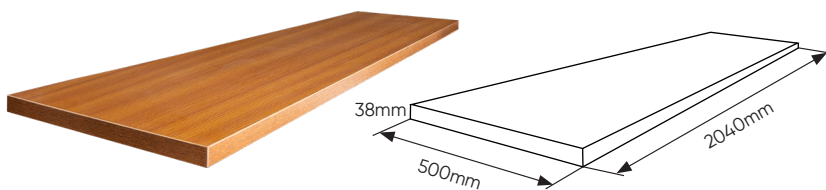
338x25x680mm



**16490**



**16629**



COMPONENTI

16561



SERIE446

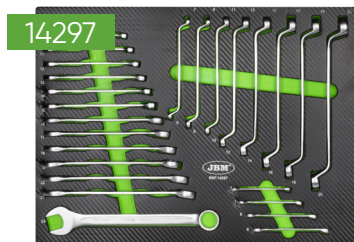


**SMONTAGGIO DEI MODULI**

**14296**

	<b>1/2"</b>	x17	10, 11, 12, 13, 14, 15, 16, 17, 18, 19, 20, 21, 22, 24, 27, 30, 32mm
	<b>1/4"</b>	x13	4, 4.5, 5, 5.5, 6, 7, 8, 9, 10, 11, 12, 13, 14mm
	<b>1/2"</b>	x5	14, 15, 17, 19, 22mm
	<b>1/4"</b>	x8	6, 7, 8, 9, 10, 11, 12, 13mm
	<b>1/2"</b>	x8	E10, E11, E12, E14, E16, E18, E20, E24
	<b>1/4"</b>	x5	E4, E5, E6, E7, E8
	<b>T2</b>	x2	1/2" - 1/4"
	<b>1/2"</b>	x2	125, 250mm
	<b>1/4"</b>	x2	50, 100mm
		x2	
	<b>1/2"</b>	x1	
	<b>1/2"</b>	x2	16, 21mm
		x3	1.5, 2, 2.5mm

		x2	PH1, PH2
		x2	PZ1, PZ2
	<b>1/4"</b>	x4	3, 4, 5, 6mm
		x3	SL4, SL5.5, SL6.5
		x8	T8, T10, T15, T20, T25, T27, T30
		x2	PH3, PH4
		x2	PZ3, PZ4
	<b>8mm</b>	x5	7, 8, 10, 12, 14mm
		x3	SL8, SL10, SL12
		x5	T40, T45, T50, T55, T60
		x1	1/4"
		x1	1/4"
	<b>1/2"</b>	x1	8mm


**14297**

	x8	6x7, 8x9, 10x11, 12x13, 14x15, 16x17, 18x19, 20x22mm
	x12	6, 7, 8, 10, 11, 12, 13, 14, 15, 17, 19, 22mm


**14298**

		x5	PH0x75, PH1x100, PH2x100, PH3x150, PH4x200
		x12	6, 7, 8, 10, 11, 12, 13, 14, 15, 17, 19, 22mm
		x1	2x38mm
		x1	6x38mm
		x9	1.5, 2, 2.5, 3, 4, 5, 6, 8, 10mm
		x9	10, 15, 20, 25, 27, 30, 40, 45, 50mm


**14299**

	x1	35mm
	x1	450g
	x1	10"
	x1	8"
	x1	8"
	x1	8"
	x1	10"
	x1	7.5"
	x1	3m