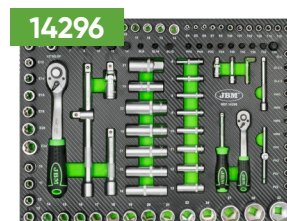
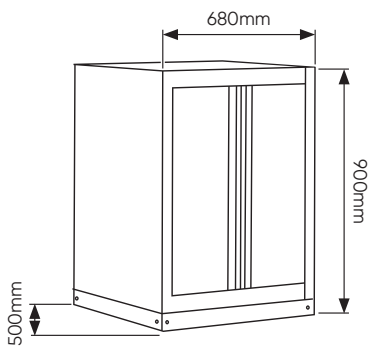


**SERIE446**
**CONJUNTO DE MÓVEIS MODULARES PARA OFICINA (18 PCS) +KIT DE 4 MÓDULOS DE CARBONO EVA PARA FERRAMENTAS**

**INCLUI**

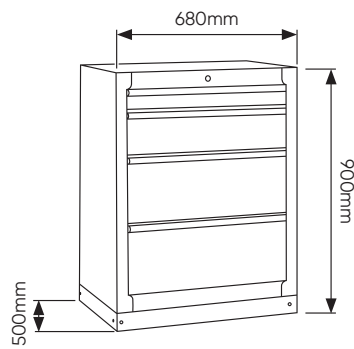
x1	16490	ARMÁRIO ALTO (REF. 54327)
x1	16627	ARMÁRIO COM 4 GAVETAS (REF.54327)
x1	16628	ARMÁRIO DE 6 GAVETAS (REF.54327)
x1	16500	ARMÁRIO COM 2 PORTAS (REF. 54327)
x3	16494	ARMÁRIO DE PAREDE (REF. 54327)
x6	16498	PANEL DE FERRAMENTAS 680X340X25 MM (REF. 54327)
x1	16629	MESA DE TRABALHO MDF 2040X500X38MM (REF.54327)
x3	16561	BARRA DE SUPORTE (REF.54327)

COMPONENTES

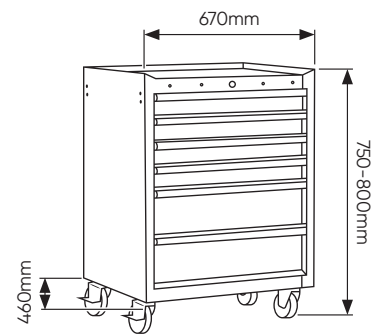
16500



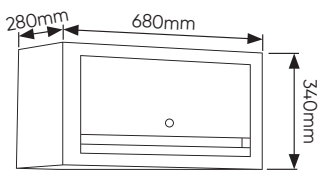
16628



16627

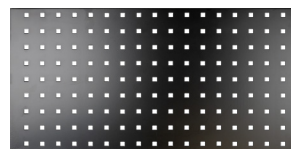


16494

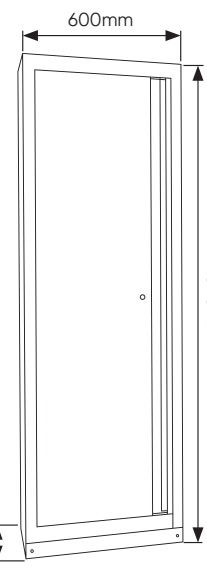


16498

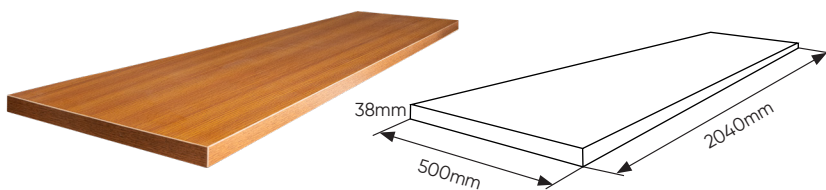
338x25x680mm



16490



16629



COMPONENTES

16561



SERIE446

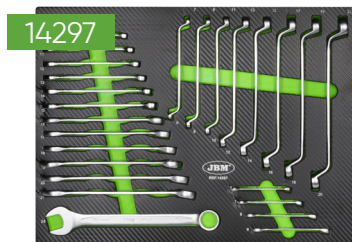


## DESMONTAGEM DOS MÓDULOS


**14296**

	<b>1/2"</b>	x17	10, 11, 12, 13, 14, 15, 16, 17, 18, 19, 20, 21, 22, 24, 27, 30, 32mm
	<b>1/4"</b>	x13	4, 4.5, 5, 5.5, 6, 7, 8, 9, 10, 11, 12, 13, 14mm
	<b>1/2"</b>	x5	14, 15, 17, 19, 22mm
	<b>1/4"</b>	x8	6, 7, 8, 9, 10, 11, 12, 13mm
	<b>1/2"</b>	x8	E10, E11, E12, E14, E16, E18, E20, E24
	<b>1/4"</b>	x5	E4, E5, E6, E7, E8
	<b>T2</b>	x2	1/2" - 1/4"
	<b>1/2"</b>	x2	125, 250mm
	<b>1/4"</b>	x2	50, 100mm
		x2	
	<b>1/2"</b>	x1	
	<b>1/2"</b>	x2	16, 21mm
		x3	1.5, 2, 2.5mm

		x2	PH1, PH2
		x2	PZ1, PZ2
	<b>1/4"</b>	x4	3, 4, 5, 6mm
		x3	SL4, SL5.5, SL6.5
		x8	T8, T10, T15, T20, T25, T27, T30
		x2	PH3, PH4
		x2	PZ3, PZ4
	<b>8mm</b>	x5	7, 8, 10, 12, 14mm
		x3	SL8, SL10, SL12
		x5	T40, T45, T50, T55, T60
		x1	1/4"
		x1	1/4"
	<b>1/2"</b>	x1	8mm


**14297**

	x8	6x7, 8x9, 10x11, 12x13, 14x15, 16x17, 18x19, 20x22mm
	x12	6, 7, 8, 10, 11, 12, 13, 14, 15, 17, 19, 22mm


**14298**

		x5	PH0x75, PH1x100, PH2x100, PH3x150, PH4x200
		x12	6, 7, 8, 10, 11, 12, 13, 14, 15, 17, 19, 22mm
		x1	2x38mm
		x1	6x38mm
		x9	1.5, 2, 2.5, 3, 4, 5, 6, 8, 10mm
		x9	10, 15, 20, 25, 27, 30, 40, 45, 50mm


**14299**

	x1	35mm
	x1	450g
	x1	10"
	x1	8"
	x1	8"
	x1	8"
	x1	10"
	x1	7.5"
	x1	3m