

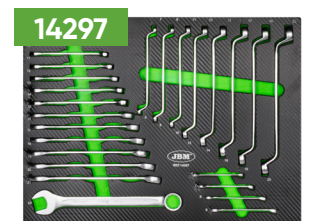
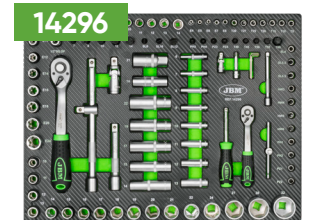
SERIE446

WORKSHOP MODULAR STORAGE SYSTEM (18 PCS)
+ 4 TRAY EVA TRAY IN CARBON FIBER FINISH SET

ACERO
STEEL

MDF

318,20Kg



IT CONTAINS

x1	16490	TALL CABINET (REF. 54327)
x1	16627	4-DRAWER CABINET (REF.54327)
x1	16628	6-DRAWER CABINET (REF.54327)
x1	16500	2-DOOR CABINET (REF.54327)
x3	16494	WALL CABINET (REF. 54327)
x6	16498	PEG BOARD 680X340X25MM (REF.54327)
x1	16629	WORK TABLE MDF 2040X500X40MM (REF.54327)
x3	16561	SUPPORT BAR (REF.54327)

The module includes front and side curbs

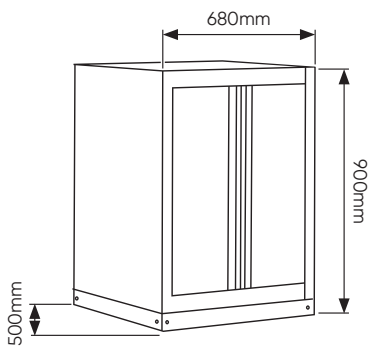
JBM CAMPLLONG S.L.

CIM La Selva - Ctra. Aeropuerto, Km 1,6 Nave 2.2 CP 17185
Vilobí d'Onyar - GIRONA - ESB17419292 - SPAIN

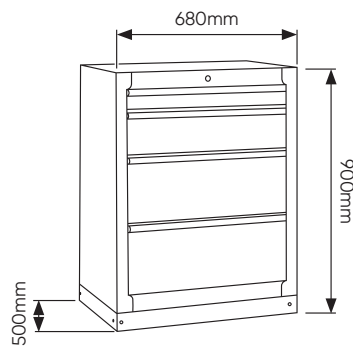
www.jbmcamp.com
jbm@jbmcamp.com
+34 972 24 55 53

COMPONENTS

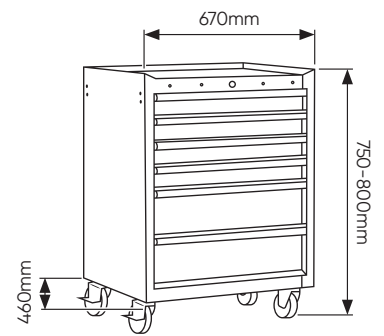
16500



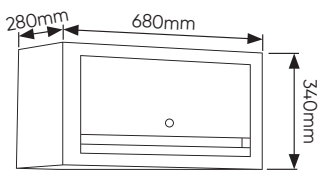
16628



16627

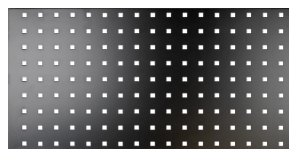


16494

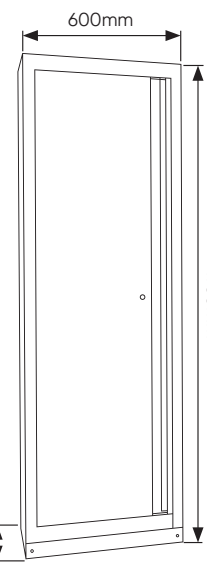


16498

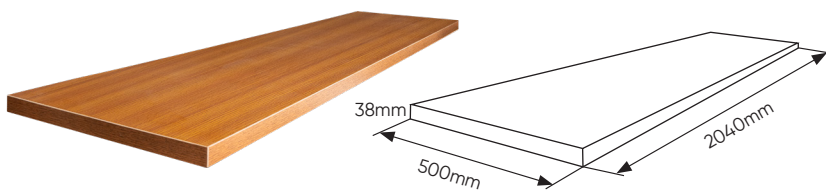
338x25x680mm



16490



16629



COMPONENTS

16561



SERIE446



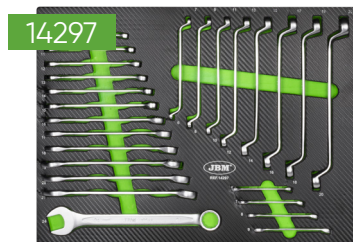
EVA TRY SPARE PARTS



14296

	1/2"	x17	10, 11, 12, 13, 14, 15, 16, 17, 18, 19, 20, 21, 22, 24, 27, 30, 32mm
	1/4"	x13	4, 4.5, 5, 5.5, 6, 7, 8, 9, 10, 11, 12, 13, 14mm
	1/2"	x5	14, 15, 17, 19, 22mm
	1/4"	x8	6, 7, 8, 9, 10, 11, 12, 13mm
	1/2"	x8	E10, E11, E12, E14, E16, E18, E20, E24
	1/4"	x5	E4, E5, E6, E7, E8
	7/32"	x2	1/2" - 1/4"
	1/2"	x2	125, 250mm
	1/4"	x2	50, 100mm
		x2	
	1/2"	x1	
	1/2"	x2	16, 21mm
		x3	1.5, 2, 2.5mm

		x2	PH1, PH2
		x2	PZ1, PZ2
	1/4"	x4	3, 4, 5, 6mm
		x3	SL4, SL5.5, SL6.5
		x8	T8, T10, T15, T20, T25, T27, T30
		x2	PH3, PH4
		x2	PZ3, PZ4
	8mm	x5	7, 8, 10, 12, 14mm
		x3	SL8, SL10, SL12
		x5	T40, T45, T50, T55, T60
		x1	1/4"
		x1	1/4"
	1/2"	x1	8mm



14297

	x8	6x7, 8x9, 10x11, 12x13, 14x15, 16x17, 18x19, 20x22mm
	x12	6, 7, 8, 10, 11, 12, 13, 14, 15, 17, 19, 22mm



14298

		x5	PH0x75, PH1x100, PH2x100, PH3x150, PH4x200
		x12	6, 7, 8, 10, 11, 12, 13, 14, 15, 17, 19, 22mm
		x1	2x38mm
		x1	6x38mm
		x9	1.5, 2, 2.5, 3, 4, 5, 6, 8, 10mm
		x9	10, 15, 20, 25, 27, 30, 40, 45, 50mm



14299

	x1	35mm
	x1	450g
	x1	10"
	x1	8"
	x1	8"
	x1	8"
	x1	10"
	x1	7.5"
	x1	3m

AVAILABLE COLORS

SERIE446R



CABINET PULL HANDLE SET
17849

SERIE446B



CABINET PULL HANDLE SET
17850

SERIE446Y



CABINET PULL HANDLE SET
17851

SERIE446O



CABINET PULL HANDLE SET
17852

SERIE446G



CABINET PULL HANDLE SET
17853

SERIE446P



CABINET PULL HANDLE SET
17854

SERIE446K



CABINET PULL HANDLE SET
17954

SERIE446S



CABINET PULL HANDLE SET
17955



Our modular furniture sets are delivered with standard green handles, but you also receive handles in the color of your choice from our palette. This way, you can easily and quickly customize your set to match your workshop's corporate colors. A practical personalization method that helps you maintain a professional and consistent image in your workspace.