

SERIE518

MODULAR FURNITURE SET (6PCS) - CORNER EXTENSION



IT CONTAINS

x1	16491	CORNER CABINET (REF.54327)
x1	16492	CORNER CABINET WITH MDF BOARD (REF.54327)
x1	16493	CABINET WITH 3 DRAWERS WITH PAPER REEL HOLDER (REF. 54327)
x2	16494	WALL CABINET (REF. 54327)
x1	16496	MDF BOARD 1360X500X38MM (REF. 16627/16628/16500)
x4	16498	PEG BOARD 680X340X25MM (REF.54327)
x1	16500	CABINET WITH 2 DOORS (REF.54327)
x1	16516	SET OF 4 PEG BOARDS FOR CORNER CABINET (REF. 16492)
x6	16561	SUPPORT BAR (REF.54327)

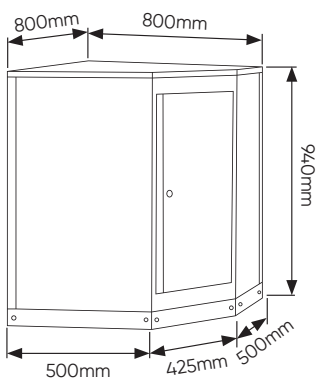
JBM CAMPLLONG S.L.

CIM La Selva - Ctra. Aeropuerto, Km 1,6 Nave 2.2 CP 17185
Vilobí d'Onyar - GIRONA - ESB17419292 - SPAIN

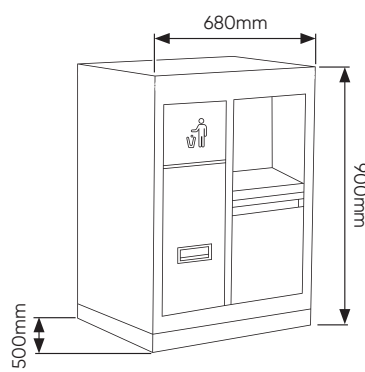
www.jbmcamp.com
jbm@jbmcamp.com
+34 972 24 55 53

COMPONENTS

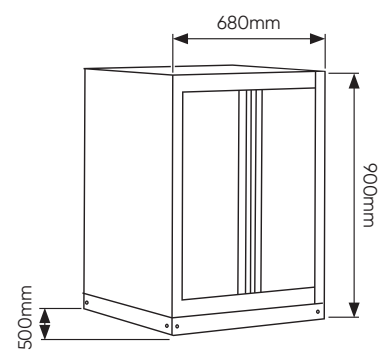
16492



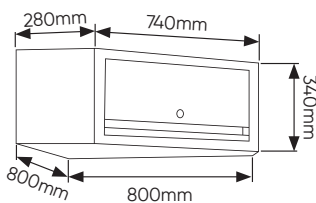
16493



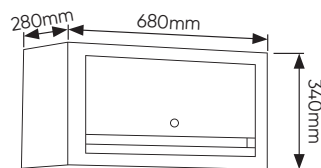
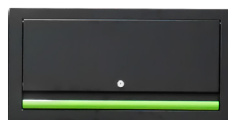
16500



16491

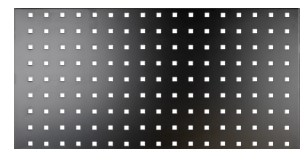


16494

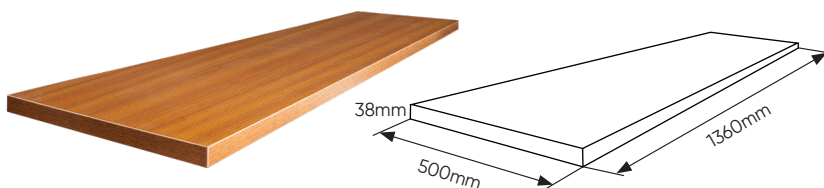


16498

338x25x680mm

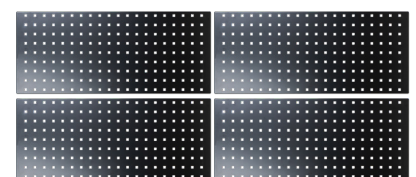


16496



16516

225x38x775mm



COMPONENTS

16561



SERIE518

