

SERIE518

MODULAR FURNITURE SET (22PCS) - CORNER
EXTENSION

IT CONTAINS

- | | | |
|----|-------|------------------------------------------------------------|
| x1 | 16491 | CORNER WALL CABINET (REF. 54327) |
| x1 | 16492 | CORNER CABINET WITH MDF BOARD (REF.54327) |
| x1 | 16493 | CABINET WITH 3 DRAWERS WITH PAPER REEL HOLDER (REF. 54327) |
| x2 | 16494 | WALL CABINET (REF. 54327) |
| x1 | 16496 | MDF BOARD 1360X500X40MM (REF. 16627/16628/16500) |
| x4 | 16498 | PEG BOARD 680X340X25MM (REF.54327) |
| x1 | 16500 | 2-DOOR CABINET (REF.54327) |
| x1 | 16516 | SET OF 4 PEG BOARDS FOR CORNER CABINET (REF. 16492) |
| x6 | 16561 | SUPPORT BAR (REF.54327) |

The module includes front and side curbs

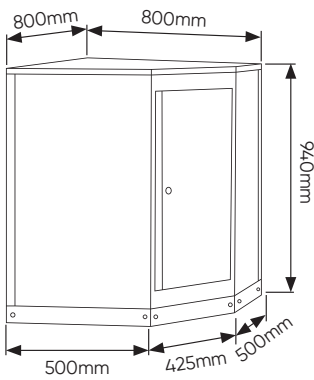
JBM CAMPLLONG S.L.

CIM La Selva - Ctra. Aeropuerto, Km 1,6 Nave 2.2 CP 17185
Vilobí d'Onyar - GIRONA - ESB17419292 - SPAIN

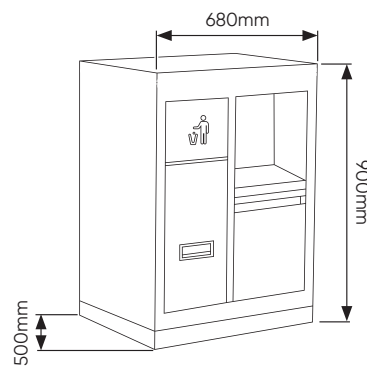
www.jbmcamp.com
jbm@jbmcamp.com
+34 972 24 55 53

COMPONENTS

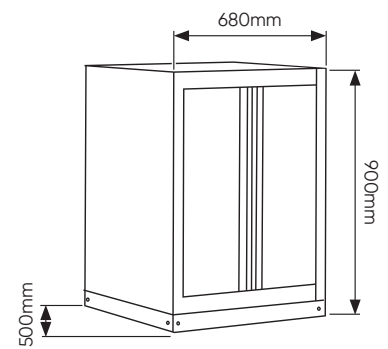
16492



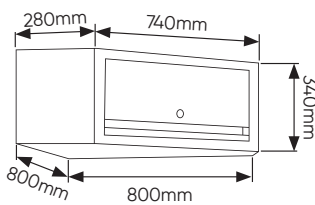
16493



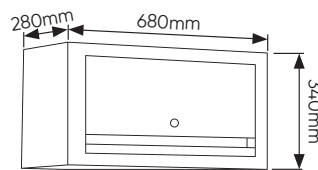
16500



16491

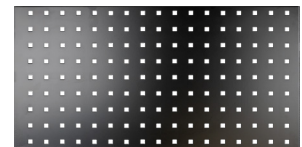


16494

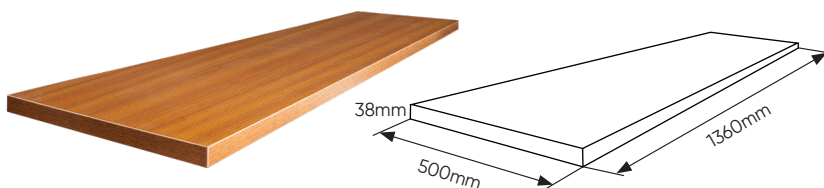


16498

338x25x680mm

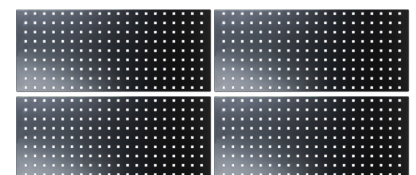


16496



16516

225x38x775mm

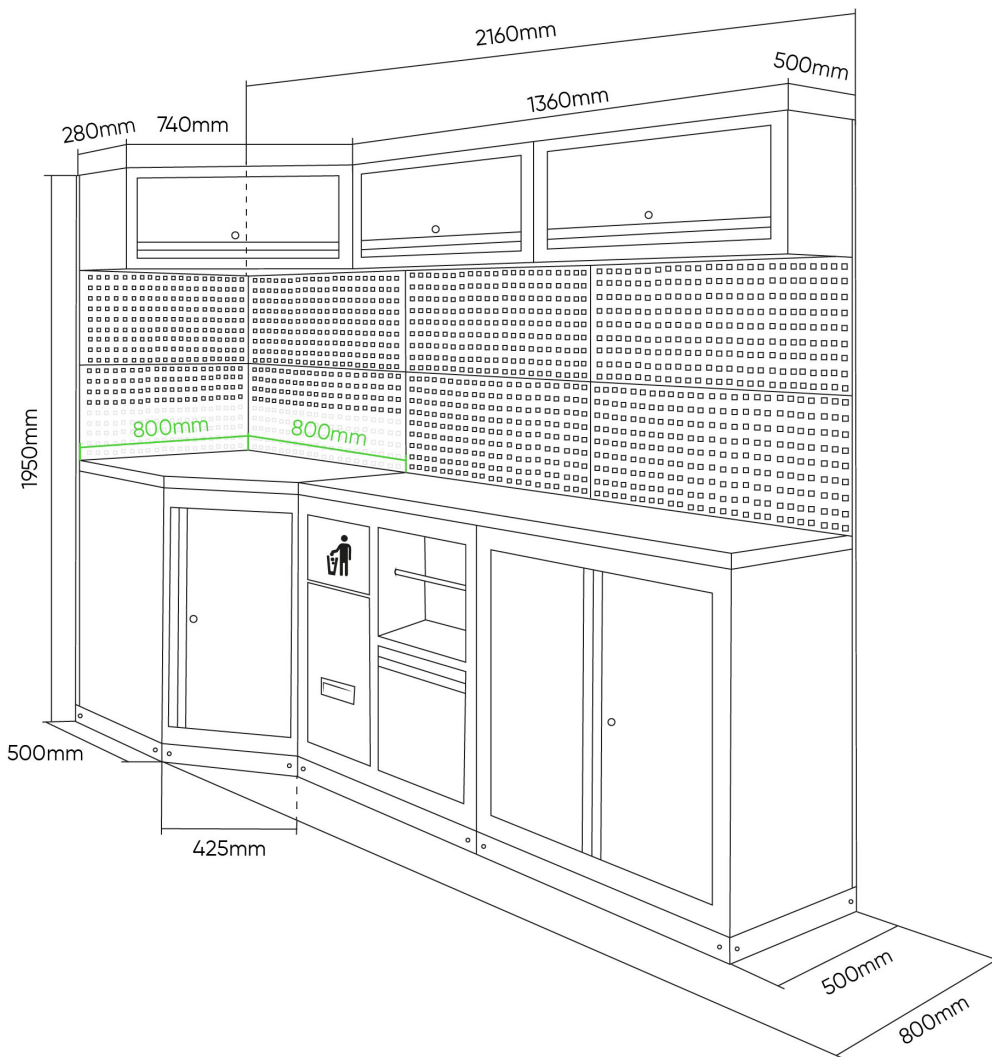


COMPONENTS

16561



SERIE518



AVAILABLE COLORS

SERIE518R



CABINET PULL HANDLE SET

18011

SERIE518B



CABINET PULL HANDLE SET

18012

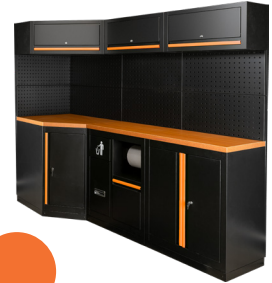
SERIE518Y



CABINET PULL HANDLE SET

18013

SERIE518O



CABINET PULL HANDLE SET

18014

SERIE518G



CABINET PULL HANDLE SET

18015

SERIE518P



CABINET PULL HANDLE SET

18016

SERIE518K



CABINET PULL HANDLE SET

18017

SERIE518S



CABINET PULL HANDLE SET

18018



Our modular furniture sets are delivered with standard green handles, but you also receive handles in the color of your choice from our palette. This way, you can easily and quickly customize your set to match your workshop's corporate colors. A practical personalization method that helps you maintain a professional and consistent image in your workspace.