

SERIE524**MODULAR FURNITURE SET (7PCS) - EXTENSION WITH CABINET AND BOBBIN HOLDER (REF.16493)**ACERO
STEEL

MDF

65,60Kg

**IT CONTAINS**

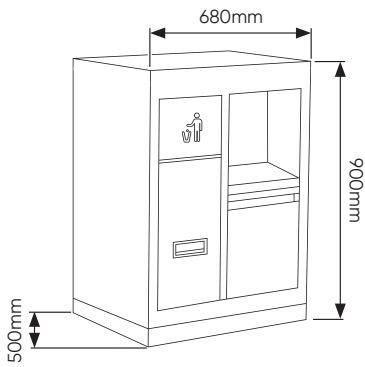
- | | | |
|----|-------|--|
| x1 | 16493 | CABINET WITH 3 DRAWERS WITH PAPER REEL HOLDER (REF. 54327) |
| x1 | 16494 | WALL CABINET (REF. 54327) |
| x1 | 16497 | MDF BOARD 680X500X40MM (REF. 16627/16628/16500) |
| x2 | 16498 | PEG BOARD 680X340X25MM (REF.54327) |
| x2 | 16561 | SUPPORT BAR (REF.54327) |

The module includes front and side curbs

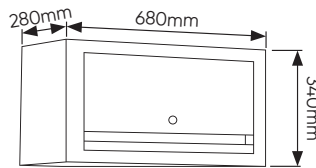
JBM CAMPLLONG S.L.CIM La Selva - Ctra. Aeropuerto, Km 1,6 Nave 2.2 CP 17185
Vilobí d'Onyar - GIRONA - ESB17419292 - SPAIN**www.jbmcamp.com**
jbm@jbmcamp.com
+34 972 24 55 53

COMPONENTS

16493

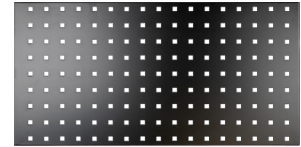


16494

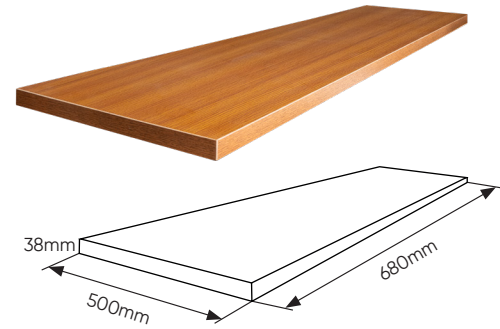


16498

338x25x680mm



16497



16561



COMPONENTS

SERIE524



AVAILABLE COLORS

SERIE524R



CABINET PULL HANDLE SET

18029

SERIE524B



CABINET PULL HANDLE SET

18030

SERIE524Y



CABINET PULL HANDLE SET

18031

SERIE524O



CABINET PULL HANDLE SET

18032

SERIE524G



CABINET PULL HANDLE SET

18033

SERIE524P



CABINET PULL HANDLE SET

18034

SERIE524K



CABINET PULL HANDLE SET

18035

SERIE524S



CABINET PULL HANDLE SET

18036



Our modular furniture sets are delivered with standard green handles, but you also receive handles in the color of your choice from our palette. This way, you can easily and quickly customize your set to match your workshop's corporate colors. A practical personalization method that helps you maintain a professional and consistent image in your workspace.