

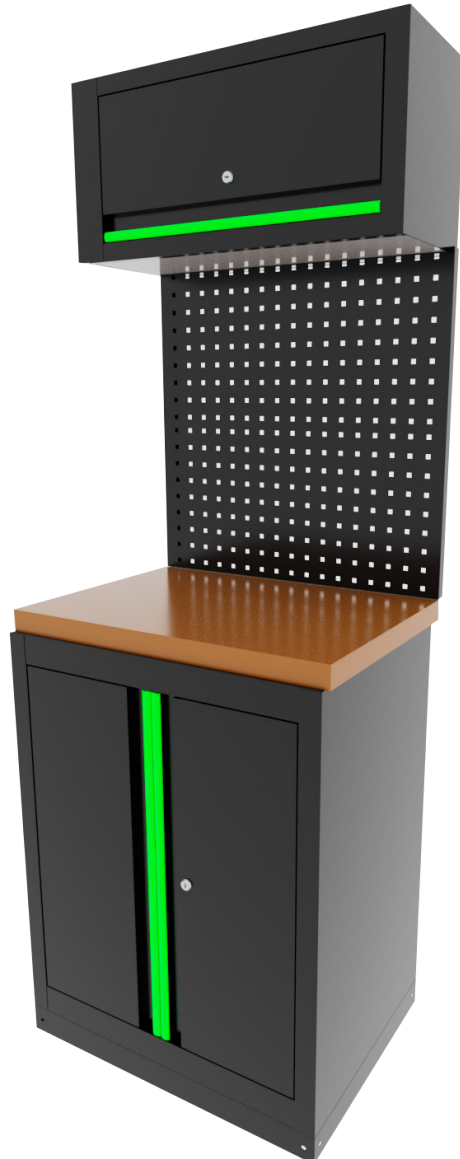
SERIE525

MODULAR FURNITURE SET (7PCS) - EXTENSION WITH CABINET WITH 2 DOORS (REF.16500)

ACERO
STEEL

MDF

58,00Kg



IT CONTAINS

- | | | |
|----|-------|---|
| x1 | 16494 | WALL CABINET (REF. 54327) |
| x1 | 16497 | MDF BOARD 680X500X40MM (REF. 16627/16628/16500) |
| x2 | 16498 | PEG BOARD 680X340X25MM (REF.54327) |
| x1 | 16500 | 2-DOOR CABINET (REF.54327) |
| x2 | 16561 | SUPPORT BAR (REF.54327) |

The module includes front and side curbs

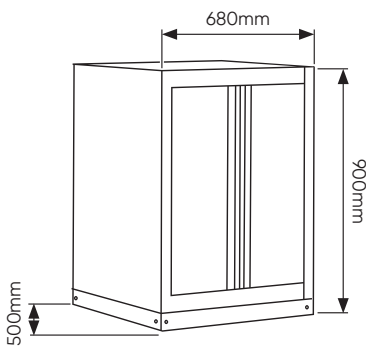
JBM CAMPLLONG S.L.

CIM La Selva - Ctra. Aeropuerto, Km 1,6 Nave 2.2 CP 17185
Vilobí d'Onyar - GIRONA - ESB17419292 - SPAIN

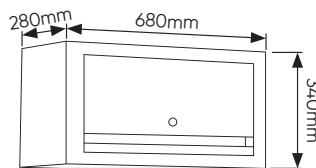
www.jbmcamp.com
jbm@jbmcamp.com
+34 972 24 55 53

COMPONENTS

16500

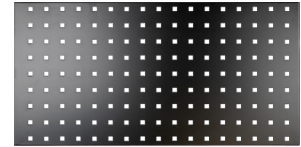


16494

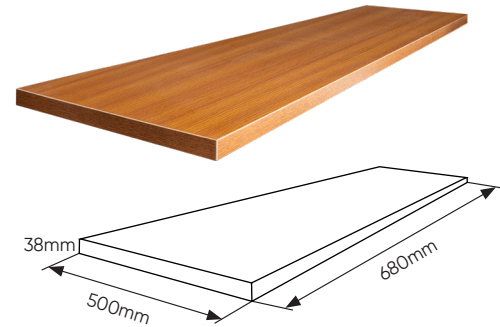


16498

338x25x680mm



16497

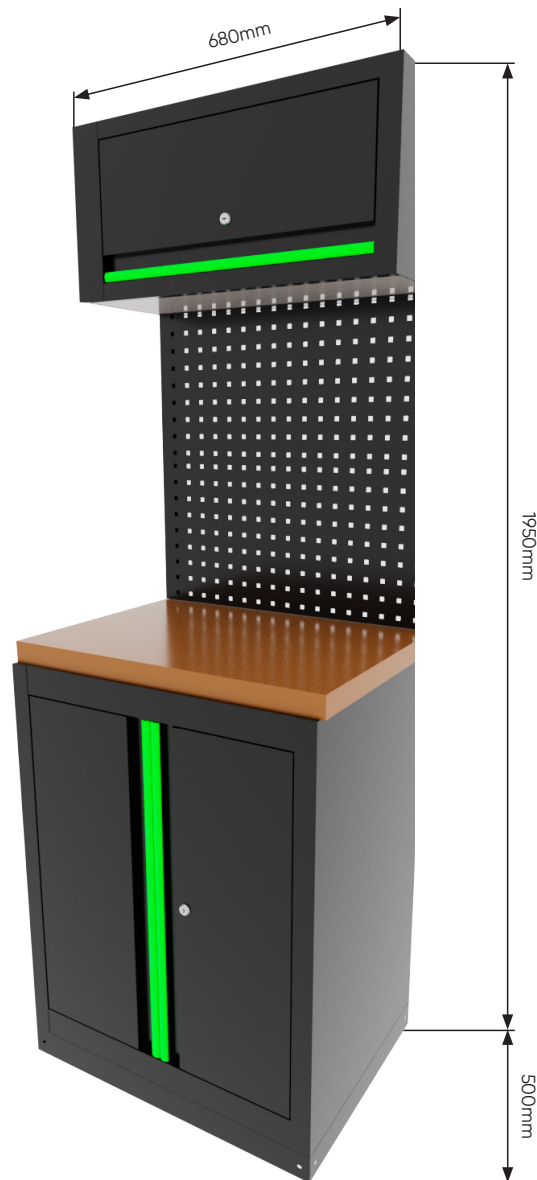


16561



COMPONENTS

SERIE525



AVAILABLE COLORS

SERIE525R



CABINET PULL HANDLE SET
18021

SERIE525B



CABINET PULL HANDLE SET
18022

SERIE525Y



CABINET PULL HANDLE SET
18023

SERIE525O



CABINET PULL HANDLE SET
18024

SERIE525G



CABINET PULL HANDLE SET
18025

SERIE525P



CABINET PULL HANDLE SET
18026

SERIE525K



CABINET PULL HANDLE SET
18027

SERIE525S



CABINET PULL HANDLE SET
18028



Our modular furniture sets are delivered with standard green handles, but you also receive handles in the color of your choice from our palette. This way, you can easily and quickly customize your set to match your workshop's corporate colors. A practical personalization method that helps you maintain a professional and consistent image in your workspace.