

**SERIE527****MODULAR FURNITURE SET (12PCS) – EXTENSION WITH REF.16500 AND REF.16493**ACERO  
STEEL

MDF

107,85Kg



## IT CONTAINS

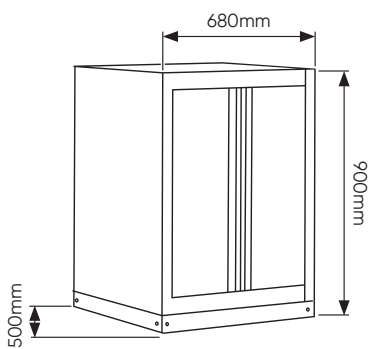
x1	16627	CABINET WITH 3 DRAWERS WITH PAPER REEL HOLDER (REF. 54327)
x2	16494	WALL CABINET (REF. 54327)
x1	16500	MDF BOARD 1360X500X40MM (REF. 16627/16628/16500)
x1	16627	PEG BOARD 680X340X25MM (REF.54327)
x1	18105	2-DOOR CABINET (REF.54327)
x1	16496	SUPPORT BAR (REF.54327)
x3	16561	SUPPORT BAR (REF.54327)

The module includes front and side curbs

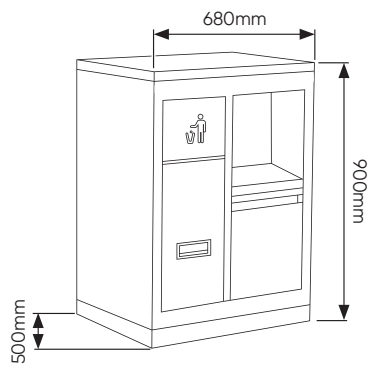
**JBM CAMPLLONG S.L.**CIM La Selva - Ctra. Aeropuerto, Km 1,6 Nave 2.2 CP 17185  
Vilobí d'Onyar - GIRONA - ESB17419292 - SPAIN**www.jbmcamp.com**  
**jbm@jbmcamp.com**  
**+34 972 24 55 53**

COMPONENTS

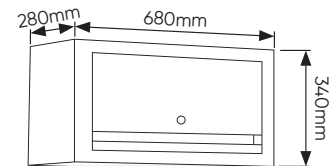
16500



16493



16494

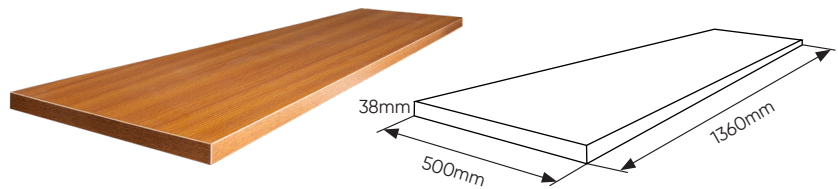


16498

338x25x680mm



16496



16561



COMPONENTS

SERIE527



AVAILABLE COLORS

SERIE527R



CABINET PULL HANDLE SET

17855

SERIE527B



CABINET PULL HANDLE SET

17856

SERIE527Y



CABINET PULL HANDLE SET

17857

SERIE527O



CABINET PULL HANDLE SET

17858

SERIE527G



CABINET PULL HANDLE SET

17859

SERIE527P



CABINET PULL HANDLE SET

17860

SERIE527K



CABINET PULL HANDLE SET

17956

SERIE527S



CABINET PULL HANDLE SET

17957



Our modular furniture sets are delivered with standard green handles, but you also receive handles in the color of your choice from our palette. This way, you can easily and quickly customize your set to match your workshop's corporate colors. A practical personalization method that helps you maintain a professional and consistent image in your workspace.