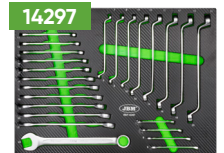


SERIE565
MODULAR FURNITURE SET (43 PCS) - COMPLETE

 ACERO
STEEL

MDF


 281,10Kg


IT CONTAINS

SERIE446

- x1 16490 TALL CABINET (REF. 54327)
- x1 16627 4-DRAWER CABINET (REF.54327)
- x1 16628 6-DRAWER CABINET (REF.54327)
- x1 16500 2-DOOR CABINET (REF.54327)
- x3 16494 WALL CABINET (REF. 54327)
- x6 16498 PEG BOARD 680X340X25MM (REF.54327)
- x1 16629 WORK TABLE MDF 2040X500X40MM (REF.54327)
- x3 16561 SUPPORT BAR (REF.54327)

SERIE518

- x1 16491 CORNER WALL CABINET (REF. 54327)
- x1 16492 CORNER CABINET WITH MDF BOARD (REF.54327)
- x1 16493 CABINET WITH 3 DRAWERS WITH PAPER REEL HOLDER (REF. 54327)
- x2 16494 WALL CABINET (REF. 54327)
- x1 16496 MDF BOARD 1360X500X40MM (REF. 16627/16628/16500)
- x4 16498 PEG BOARD 680X340X25MM (REF.54327)
- x1 16500 2-DOOR CABINET (REF.54327)
- x1 16516 SET OF 4 PEG BOARDS FOR CORNER CABINET (REF. 16492)
- x6 16561 SUPPORT BAR (REF.54327)

The module includes front and side curbs

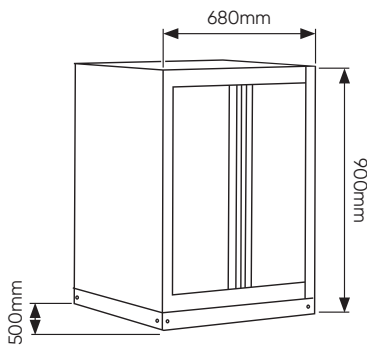
JBM CAMPLLONG S.L.

 CIM La Selva - Ctra. Aeropuerto, Km 1,6 Nave 2.2 CP 17185
 Vilobí d'Onyar - GIRONA - ESB17419292 - SPAIN

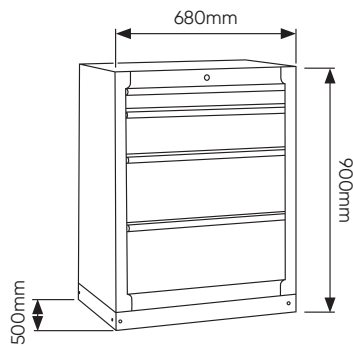
 www.jbmcamp.com
 jbm@jbmcamp.com
 +34 972 24 55 53

COMPONENTS

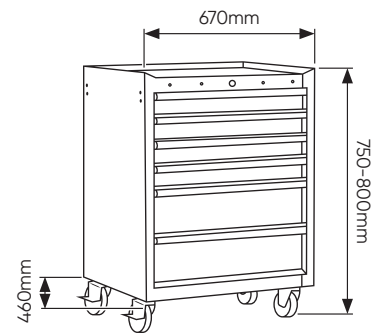
16500



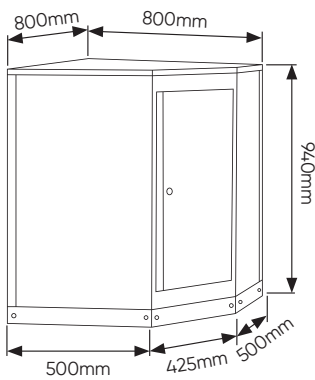
16628



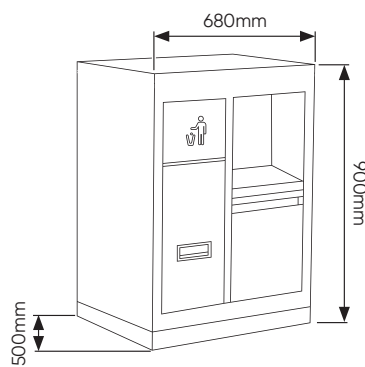
16627



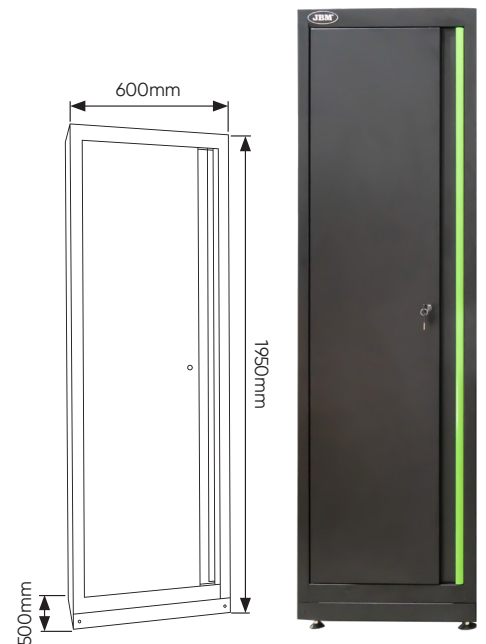
16492



16493



16490

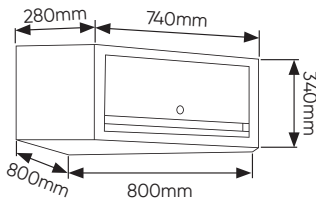


16561

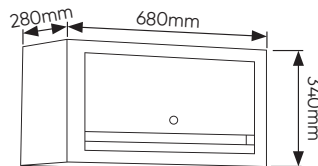


COMPONENTS

16491



16494

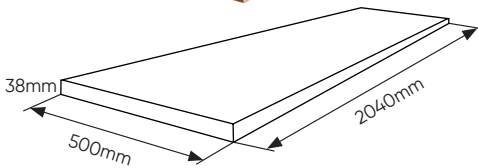


16498

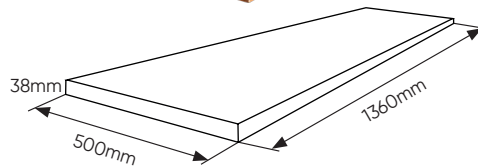
338x25x680mm



16629

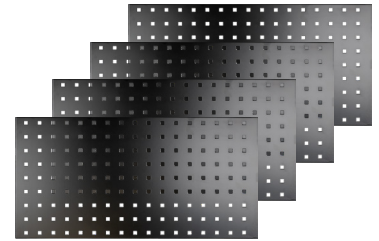


16496

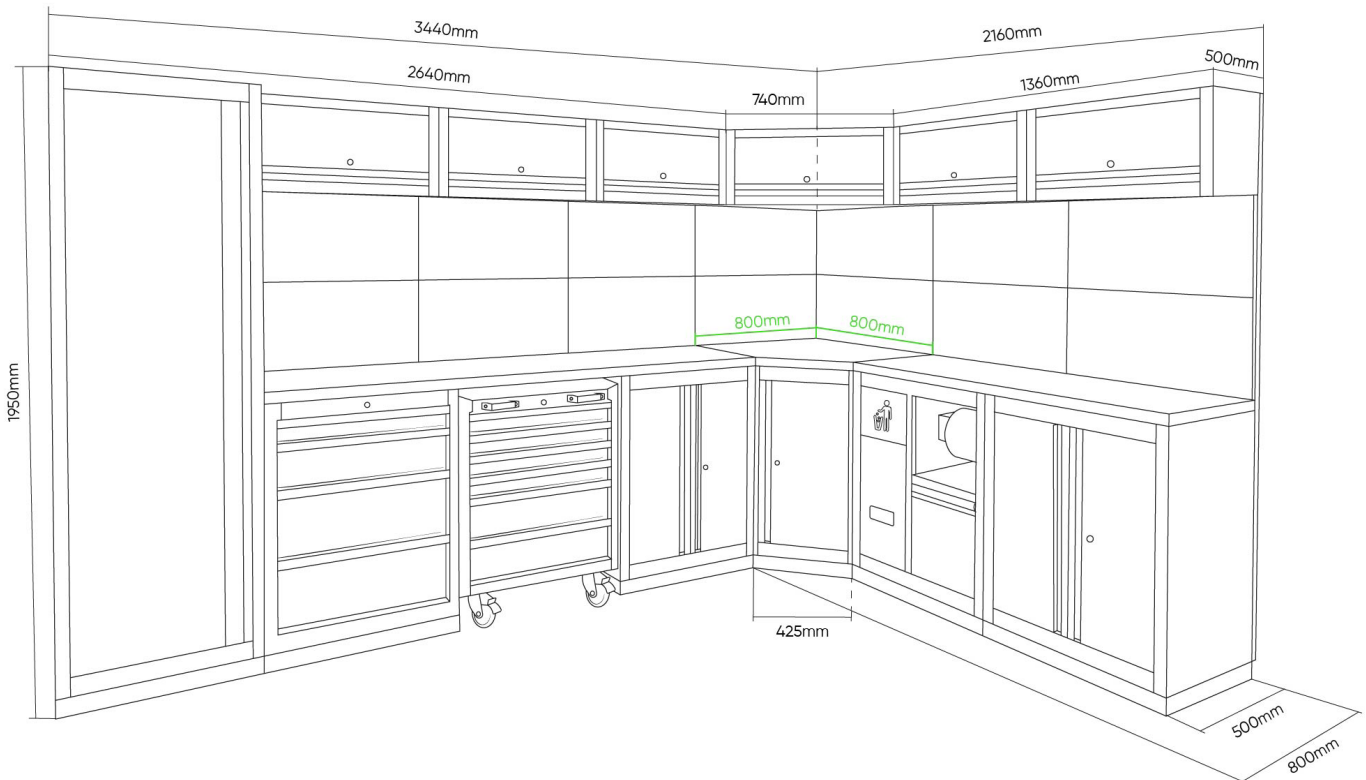


16498

338x25x680mm



SERIE565



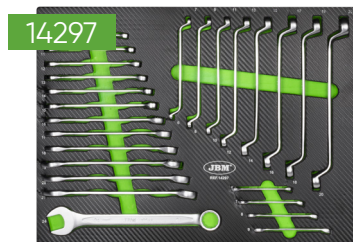
EVA TRY SPARE PARTS



14296

	1/2"	x17	10, 11, 12, 13, 14, 15, 16, 17, 18, 19, 20, 21, 22, 24, 27, 30, 32mm
	1/4"	x13	4, 4.5, 5, 5.5, 6, 7, 8, 9, 10, 11, 12, 13, 14mm
	1/2"	x5	14, 15, 17, 19, 22mm
	1/4"	x8	6, 7, 8, 9, 10, 11, 12, 13mm
	1/2"	x8	E10, E11, E12, E14, E16, E18, E20, E24
	1/4"	x5	E4, E5, E6, E7, E8
	7/16"	x2	1/2" - 1/4"
	1/2"	x2	125, 250mm
	1/4"	x2	50, 100mm
		x2	
	1/2"	x1	
	1/2"	x2	16, 21mm
		x3	1.5, 2, 2.5mm

		x2	PH1, PH2
		x2	PZ1, PZ2
	1/4"	x4	3, 4, 5, 6mm
		x3	SL4, SL5.5, SL6.5
		x8	T8, T10, T15, T20, T25, T27, T30
		x2	PH3, PH4
		x2	PZ3, PZ4
	8mm	x5	7, 8, 10, 12, 14mm
		x3	SL8, SL10, SL12
		x5	T40, T45, T50, T55, T60
		x1	1/4"
		x1	1/4"
	1/2"	x1	8mm



14297

	x8	6x7, 8x9, 10x11, 12x13, 14x15, 16x17, 18x19, 20x22mm
	x12	6, 7, 8, 10, 11, 12, 13, 14, 15, 17, 19, 22mm



14298

	x5	PH0x75, PH1x100, PH2x100, PH3x150, PH4x200
	x12	6, 7, 8, 10, 11, 12, 13, 14, 15, 17, 19, 22mm
	x1	2x38mm
	x1	6x38mm
	x9	1.5, 2, 2.5, 3, 4, 5, 6, 8, 10mm
	x9	10, 15, 20, 25, 27, 30, 40, 45, 50mm



14299

	x1	35mm
	x1	450g
	x1	10"
	x1	8"
	x1	8"
	x1	8"
	x1	10"
	x1	7.5"
	x1	3m

AVAILABLE COLORS

SERIE565R



CABINET PULL HANDLE SET

18037

SERIE565B



CABINET PULL HANDLE SET

18038

SERIE565Y



CABINET PULL HANDLE SET

18039

SERIE565O



CABINET PULL HANDLE SET

18040

SERIE565G



CABINET PULL HANDLE SET

18041

SERIE565P



CABINET PULL HANDLE SET

18042

SERIE565K



CABINET PULL HANDLE SET

18043

SERIE565S



CABINET PULL HANDLE SET

18044



Our modular furniture sets are delivered with standard green handles, but you also receive handles in the color of your choice from our palette. This way, you can easily and quickly customize your set to match your workshop's corporate colors. A practical personalization method that helps you maintain a professional and consistent image in your workspace.