

SERIE591

MODULAR FURNITURE SET (7PCS) - EXTENSION WITH
CABINET AND BOBBIN HOLDER (REF.16493)

ACERO
STEEL

INOX
SS

71,80Kg



IT CONTAINS

x1	16493	CABINET WITH 3 DRAWERS WITH PAPER REEL HOLDER
x1	16494	WALL CABINET
x1	17746	STAINLESS STEEL BOARD 680X500X38MM (REF.16627/16628/16500)
x2	16498	PEG BOARD 680X340X25MM (REF.54327)
x2	16561	SUPPORT BAR (REF.54327)

The module includes front and side curbs

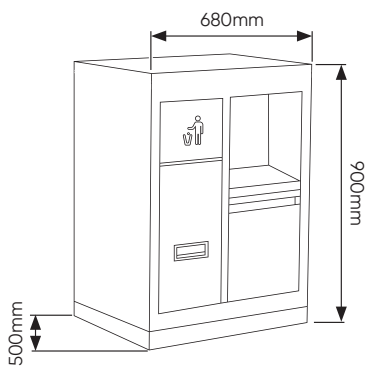
JBM CAMPLLONG S.L.

CIM La Selva - Ctra. Aeropuerto, Km 1,6 Nave 2.2 CP 17185
Vilobí d'Onyar - GIRONA - ESB17419292 - SPAIN

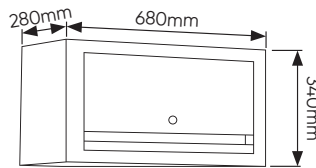
www.jbmcamp.com
jbm@jbmcamp.com
+34 972 24 55 53

COMPONENTS

16493

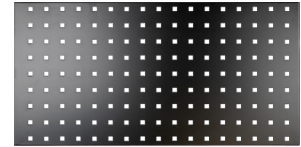


16494

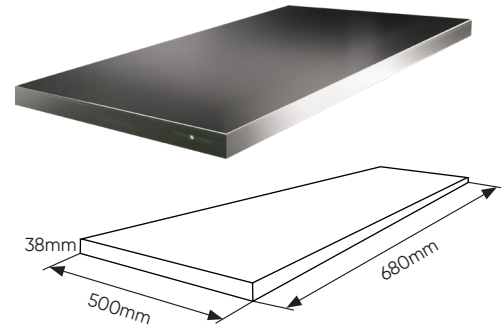


16498

338x25x680mm



17746



16561



COMPONENTS

SERIE591



AVAILABLE COLORS

SERIE591R



CABINET PULL HANDLE SET

18029

SERIE591B



CABINET PULL HANDLE SET

18030

SERIE591Y



CABINET PULL HANDLE SET

18031

SERIE591O



CABINET PULL HANDLE SET

18032

SERIE591G



CABINET PULL HANDLE SET

18033

SERIE591P



CABINET PULL HANDLE SET

18034

SERIE591K



CABINET PULL HANDLE SET

18035

SERIE591S



CABINET PULL HANDLE SET

18036



Our modular furniture sets are delivered with standard green handles, but you also receive handles in the color of your choice from our palette. This way, you can easily and quickly customize your set to match your workshop's corporate colors. A practical personalization method that helps you maintain a professional and consistent image in your workspace.