

## SERIE592

MODULAR FURNITURE SET (7PCS) - EXTENSION WITH  
CABINET WITH 2 DOORS (REF.16500)

ACERO  
STEEL

INOX  
SS

60,20Kg



## IT CONTAINS

x1	16494	WALL CABINET
x1	17746	STAINLESS STEEL BOARD 680X500X38MM (REF.16627/16628/16500)
x2	16498	PEG BOARD 680X340X25MM (REF.54327)
x1	16500	2-DOOR CABINET
x2	16561	SUPPORT BAR (REF.54327)

The module includes front and side curbs

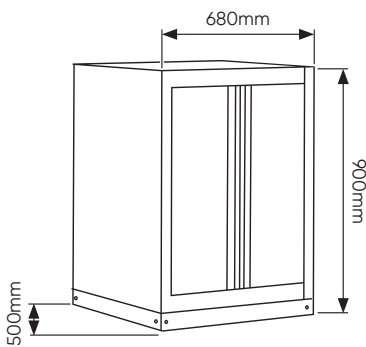
**JBM CAMPLLONG S.L.**

CIM La Selva - Ctra. Aeropuerto, Km 1,6 Nave 2.2 CP 17185  
Vilobí d'Onyar - GIRONA - ESB17419292 - SPAIN

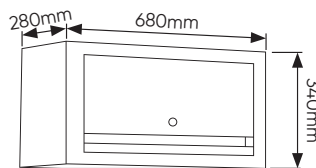
[www.jbmcamp.com](http://www.jbmcamp.com)  
[jbm@jbmcamp.com](mailto:jbm@jbmcamp.com)  
+34 972 24 55 53

COMPONENTS

16500



16494

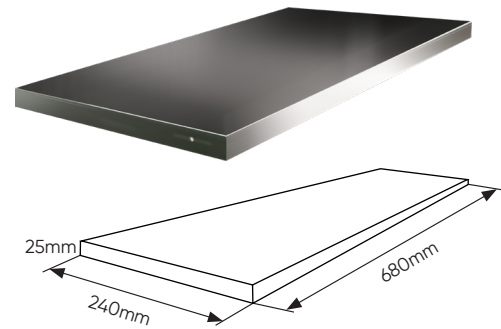


16498

338x25x680mm



17746



16561



COMPONENTS

SERIE592



AVAILABLE COLORS

SERIE592R



CABINET PULL HANDLE SET  
18021

SERIE592B



CABINET PULL HANDLE SET  
18022

SERIE592Y



CABINET PULL HANDLE SET  
18023

SERIE592O



CABINET PULL HANDLE SET  
18024

SERIE592G



CABINET PULL HANDLE SET  
18025

SERIE592P



CABINET PULL HANDLE SET  
18026

SERIE592K



CABINET PULL HANDLE SET  
18027

SERIE592S



CABINET PULL HANDLE SET  
18028



Our modular furniture sets are delivered with standard green handles, but you also receive handles in the color of your choice from our palette. This way, you can easily and quickly customize your set to match your workshop's corporate colors. A practical personalization method that helps you maintain a professional and consistent image in your workspace.