

SERIE593

MODULAR FURNITURE SET (7PCS) - EXTENSION WITH 4
DRAWER CABINET (REF.16627)

ACERO
STEEL

INOX
SS

74,10Kg



IT CONTAINS

x1	16494	WALL CABINET
x1	17746	STAINLESS STEEL BOARD 680X500X38MM (REF.16627/16628/16500)
x2	16498	PEG BOARD 680X340X25MM (REF.54327)
x1	16627	4-DRAWER CABINET
x2	16561	SUPPORT BAR (REF.54327)

The module includes front and side curbs

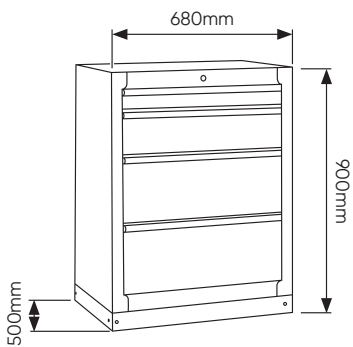
JBM CAMPLLONG S.L.

CIM La Selva - Ctra. Aeropuerto, Km 1,6 Nave 2.2 CP 17185
Vilobí d'Onyar - GIRONA - ESB17419292 - SPAIN

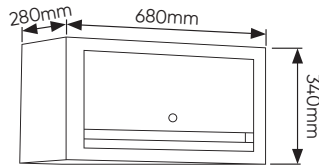
www.jbmcamp.com
jbmcamp@jbmcamp.com
+34 972 24 55 53

COMPONENTS

16627

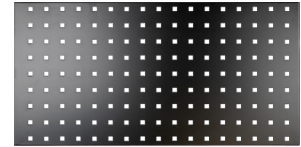


16494

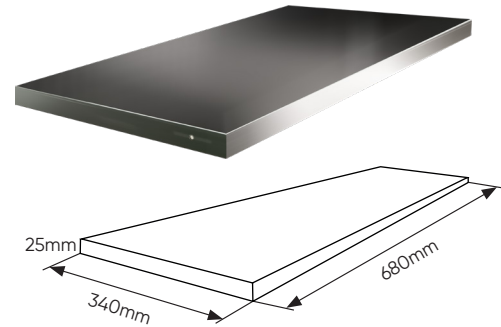


16498

338x25x680mm



17746



16561



COMPONENTS

SERIE593



AVAILABLE COLORS

SERIE593R



CABINET PULL HANDLE SET

18005

SERIE593B



CABINET PULL HANDLE SET

18006

SERIE593Y



CABINET PULL HANDLE SET

18007

SERIE593O



CABINET PULL HANDLE SET

18008

SERIE593G



CABINET PULL HANDLE SET

18009

SERIE593P



CABINET PULL HANDLE SET

18010

SERIE593K



CABINET PULL HANDLE SET

18019

SERIE593S



CABINET PULL HANDLE SET

18020



Our modular furniture sets are delivered with standard green handles, but you also receive handles in the color of your choice from our palette. This way, you can easily and quickly customize your set to match your workshop's corporate colors. A practical personalization method that helps you maintain a professional and consistent image in your workspace.