

THIS MAP IS FOR ASSESSMENT PURPOSES. IT IS NOT VALID FOR LEGAL DESCRIPTION OR CONVEYANCE.

THE HORIZONTAL DATUM IS THE MASSACHUSETTS STATE PLANE COORDINATE SYSTEM, NAD 83.

ORIGINAL MAPPING BY: JAMES W. SEWALL COMPANY
PHOTOGRAPHY DATE: APRIL 23, 1982

REVISED & REPRINTED BY

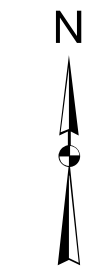


11 Pleasant Street, Littleton, NH 03561
800.322.4540 - www.cai-tech.com

LEGEND

PARCEL NUMBERS 2

MATCH LINE ————



FEET 200 100 0 200 400 600

METERS 50 25 0 50 100 150

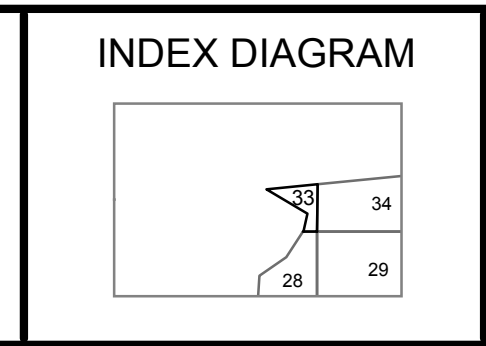
SCALE: 1" = 200'

REVISED TO: JANUARY 1, 2016

PROPERTY MAPS

WEST BROOKFIELD

MASSACHUSETTS



MAP NO.

33