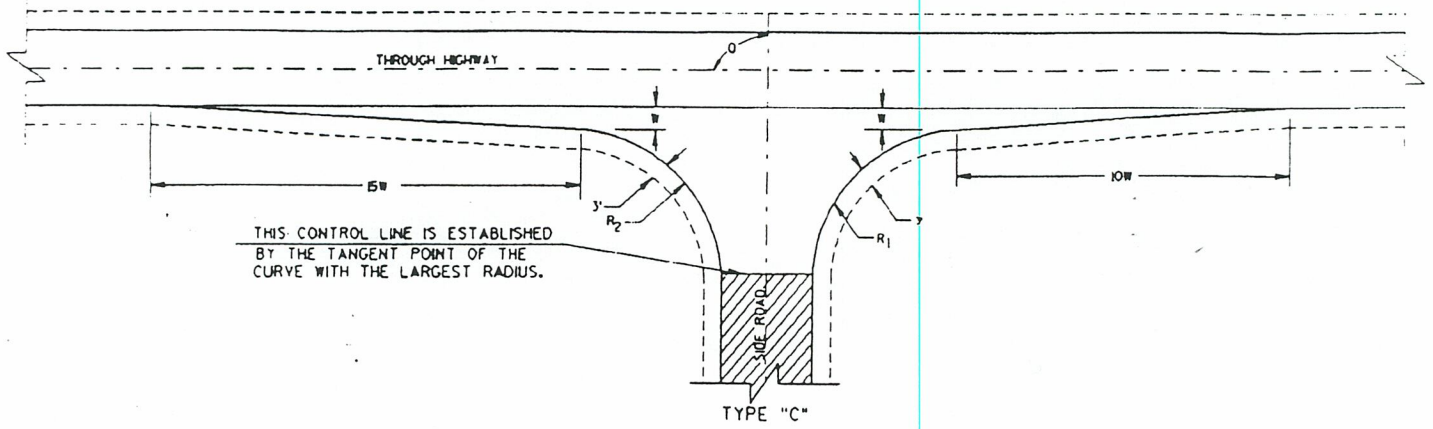
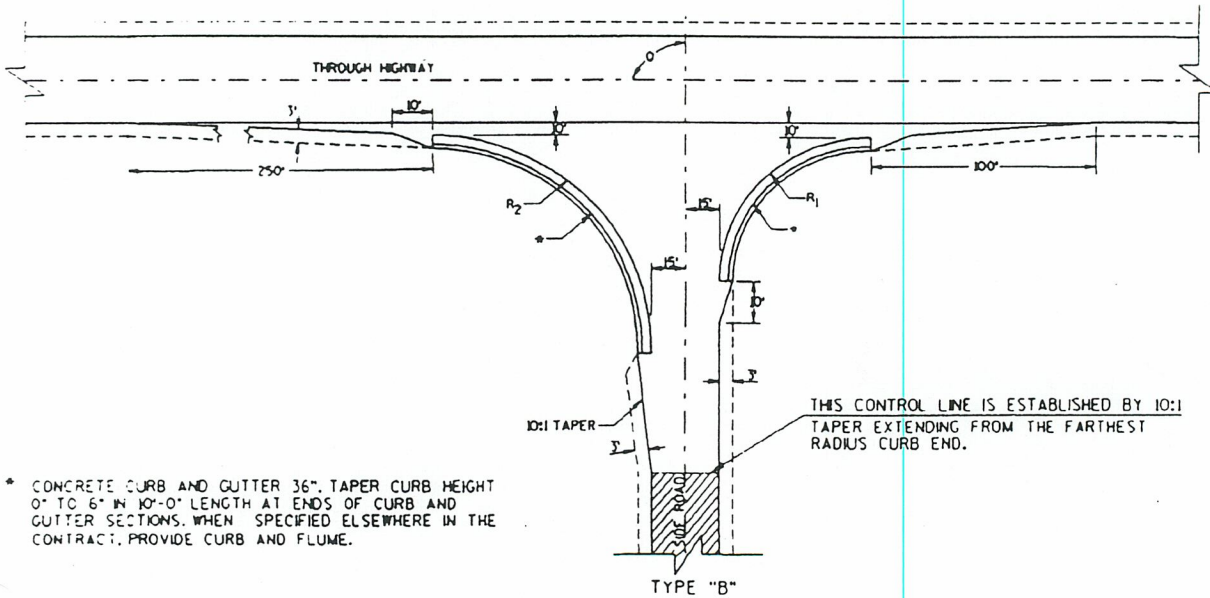


## Radius Dimensions for Types B, C, and D intersections



RADI DIMENSIONS FOR  
TYPES "B", "C" AND "D" INTERSECTIONS

O	R <sub>1</sub>	R <sub>2</sub>
65 - 70	35	70
75 - 80	40	70
85 - 95	40	60
100	50	55
105 - 110	60	45



\* CONCRETE CURB AND GUTTER 36". TAPER CURB HEIGHT 0" TO 6" IN 10'-0" LENGTH AT ENDS OF CURB AND GUTTER SECTIONS. WHEN SPECIFIED ELSEWHERE IN THE CONTRACT, PROVIDE CURB AND FLUME.