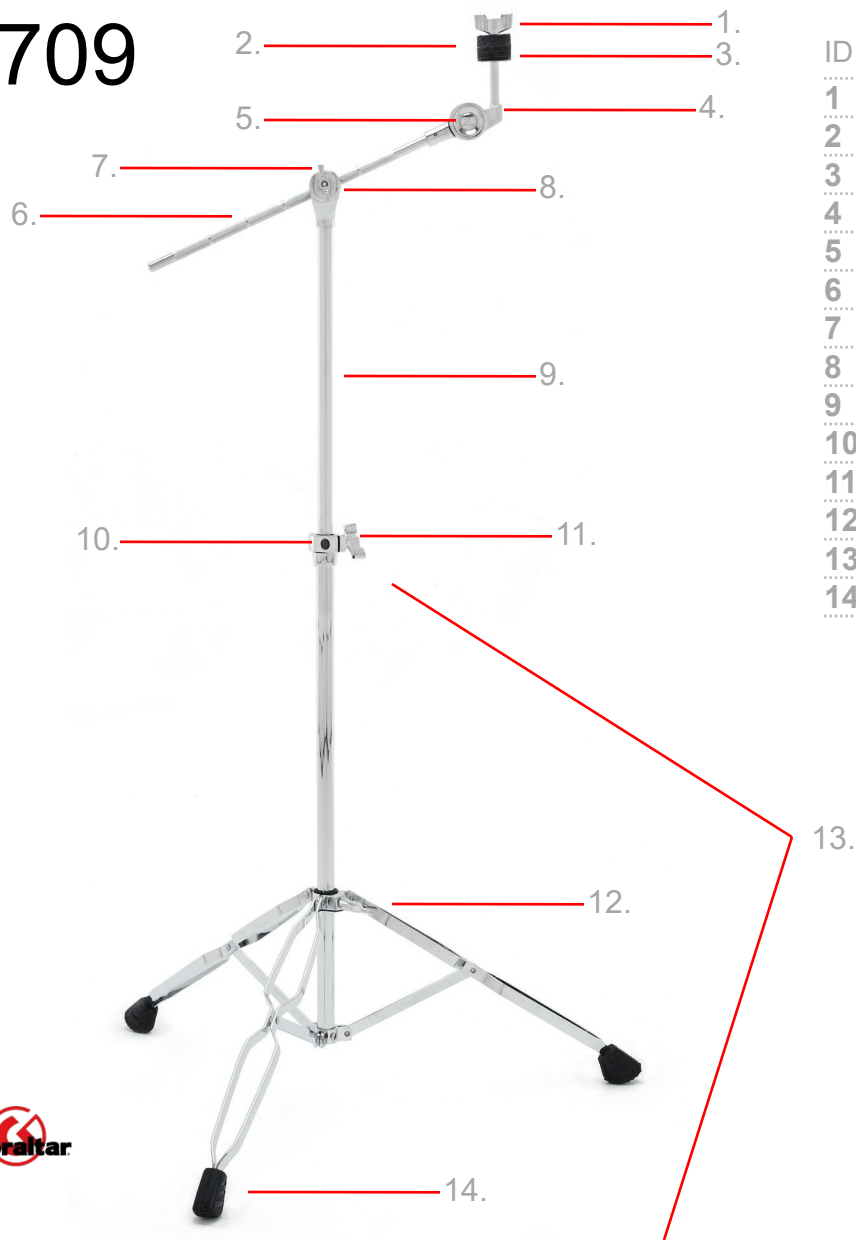


4000 SERIES STANDS

4709



ID	MODEL	PART
1	SC-13P2	WING NUT
2	SC-CFS/4	SMALL CYMBAL FELT
3	SC-19B	CYMBAL SLEEVE
4	GP-4112	CYMBAL TILTER ASSEMBLY
5	GP-4113	WING NUT / BOLT ASSEMBLY
6	GP-4114	KNURLED BOOM ARM
7	GP-4115	HEX BOLT/ WING NUT ASSEMBLY
8	GP-4116	LOCKING RING
9	GP-4117	UPPER HEIGHT ADJUST TUBE
10	GP-4105	5/8" NYLON INNER BUSHING
11	GP-6276	WING/SHORT BOLT SET
12	SC-0009	WING BOLT
13	GP-4118	LOWER BASE ASSEMBLY
14	GP-4100	RUBBER FOOT

MODEL	DESCRIPTION
4709	4700 SERIES CYMBAL BOOM STAND