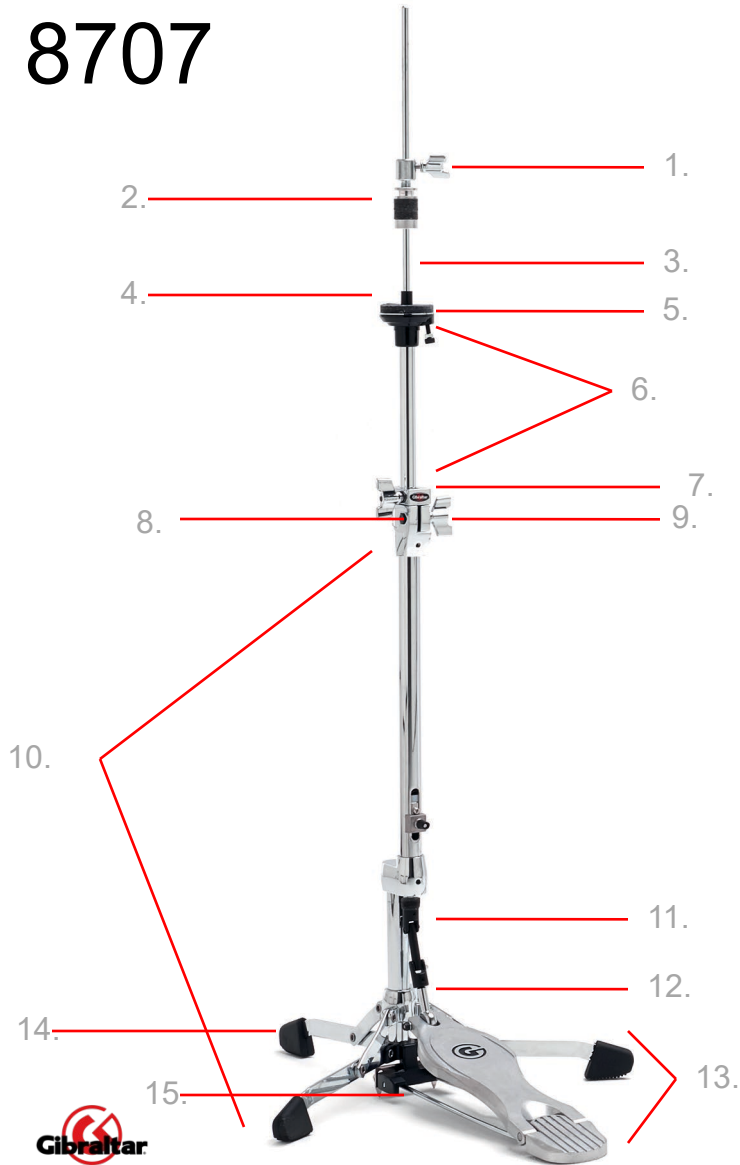


8707



ID	MODEL	PART
1	GP-4107	WING BOLT/NUT ASSEMBLY
2	SC-4421D	HI-HAT CLUTCH
3	GP-0016	UPPER PULL ROD
4	SC-HF2	CUP FELT
5	GP-4000	FLAT METAL WASHER
6	GP-6021	UPPER TUBE W/ CUP
7	GP-4219	5/8" MEMORY LOCK
8	GP-4215	5/8" NYLON INNER BUSHING (NOT SHOWN)
9	GP-4104	WING/SHORT BOLT SET
10	GP-4220	LOWER BASE ASSEMBLY COMPLETE W/ PEDAL
11	GP-4221	U-JOINT SHAFT
12	GP-4177	PULL ROD ASSEMBLY
13	GP-4178	HINGED PEDAL BOARD COMPLETE
14	GP-6024	RUBBER FOOT
15	GP-4222	RADIUS ROD COMPLETE
16	GP-4223	BLOCK PLATE (NOT SHOWN)
17	GP-4224	BOLT ASSEMBLY FOR BLOCK PLATE (NOT SHOWN)

MODEL	DESCRIPTION
8707	8700 SERIES HI HAT STAND

