

**Australian Bushmen's
Campdraft
and Rodeo
Association Ltd**



Tradition • Pride • Spirit

RULE BOOK

EFFECTIVE 1ST DECEMBER 2015

Last updated Aug 2021

THE AUSTRALIAN BUSHMEN'S CAMPDRAFT AND RODEO ASSOCIATION LTD

ABN 82 002 967 142

Head Office: 539 Goonoo Goonoo Road, (P.O. Box 964) Tamworth, NSW 2340

Telephone: (02) 6766 5863 Facsimile: (02) 6766 1232

Email: general@abcra.com.au

www.abcra.com.au

*Any commonwealth or state animal welfare legislation if contrary will overrule any rule in this book.
Any governing body's rules that are contrary to any ABCRA rule, the ABCRA rule will prevail.*

| | | | |
|--|----|---|----|
| GENERAL | 5 | Com.34. Order of events | 11 |
| G.1. Co-operation | 5 | Com.35. Competitor signature for prize money | 11 |
| G.2. Affiliation | 5 | ABCRA ANIMAL WELFARE CODE - RODEO..... | 11 |
| G.3. Annual General Meetings | 5 | AWC.1. Selection of Stock | 11 |
| G.4. Board of Directors | 5 | AWC.2. Assembly of Stock..... | 11 |
| G.5. Head Office | 5 | AWC.3. Care and Treatment of Animals..... | 11 |
| G.6. Code of Practice Concerning Animal Welfare | 5 | AWC.4. Loading and Unloading of Stock | 12 |
| G.7. Allocation of ABCRA Championships and State Championships | 5 | AWC.5. Humane Treatment of Livestock..... | 12 |
| G.8. Financial Membership..... | 5 | AWC.6. Contract Stock | 12 |
| G.9. Rights and Privileges | 6 | AWC.7. Stock Numbering | 12 |
| G.10. Co-operation with the ABCRA | 6 | AWC.8. Arena | 13 |
| G.11. Release of Liability | 6 | AWC.9. Rope and Tie..... | 13 |
| G.12. Consent to Use Name and Likeness | 6 | AWC.10. Ladies Barrel Race..... | 13 |
| G.13. No Power of Endorsement..... | 6 | AWC.11. Rodeo Stock | 13 |
| G.14. Legal Age Requirement | 6 | AWC.12. Stock Status | 13 |
| G.15. No Financial Obligations Outstanding | 6 | AWC.13. Drugs and Welfare Policy for Horses used in Rodeo | 14 |
| G.16. Special Events | 6 | RODEO ENTRY RULES..... | 14 |
| G.17. Infractions..... | 6 | Central Entry Bond | 14 |
| G.18. Committee may set Ground Rules | 6 | Entries | 14 |
| G.19. Campdraft /Rodeo Personnel | 6 | Extended Entries (less than 8) | 15 |
| G.20. Tied Awards – End of Year | 6 | Late Entries..... | 15 |
| G.21. Medical Clearance - Return to Participation/ Competition | 6 | Turnout Rules | 15 |
| NATIONAL FINALS | 7 | 1. Cancel Out fees | 15 |
| N1. National Finals Rodeo | 7 | 2. Medical Turn Out..... | 15 |
| N2. National Finals Rodeo Rules..... | 7 | RODEO GENERAL RULES | 15 |
| N3. Distribution of Prize Money | 7 | G.1. Year End Rodeo Awards..... | 15 |
| N4. Tied Awards | 7 | G.2. Novice Rule/Breaking Novice Status | 15 |
| N5. The National Finals Campdraft..... | 7 | G.3. Rookie Rule | 16 |
| COMMITTEE RULES | 8 | AUSTRALIAN RODEO FEDERATION COMMON RULE BOOK ... | 16 |
| Com.1. Rules..... | 8 | SECTION 1 COMMON RULES | 16 |
| Com.2. Non-ABCRA Events | 8 | ARF Rough Stock Common Rules..... | 16 |
| Com.3. Advertising and Programs | 8 | ABCRA Rough Stock Common Rules..... | 17 |
| Com.4. Date Allocation..... | 8 | RRS.1. Stock Escaping | 17 |
| Com.5. Arena Surfaces | 8 | RRS.2. Insufficient stock | 17 |
| Com.6. Entries | 8 | RRS.3. Substitute Stock | 17 |
| Com.7. Entry Fee | 8 | RRS.4. Fresh Re-Ride Stock..... | 17 |
| Com.8. Stock Deposit | 8 | RRS.5. Withdrawn Stock | 17 |
| Com.9. Refusal of Entries | 8 | RRS.6. Turnout Stock..... | 17 |
| Com.10. Prize Money | 8 | RRS.7. Flank Person | 17 |
| Com.11. Results..... | 9 | RRS.8. Head Collars | 17 |
| Com.12. Competitor's Gate Entry | 9 | RRS.9. Unsaddling and Stripping Chutes..... | 17 |
| Com.13. Hosting the ABCRA Championship Campdraft | 9 | RRS.10. National Stock Awards | 17 |
| Com.14. CAMPDRAFTING..... | 9 | RRS.11. Injured Stock | 17 |
| 1. No. of Competitors for final rounds..... | 9 | General..... | 17 |
| 2. Campdraft conditions | 9 | RRG.1. Point System | 17 |
| 3. Cattle selection..... | 9 | RRG.2. Contestant Called | 17 |
| 4. Turn back riders..... | 9 | RRG.3. Arena Dress | 18 |
| 6. Scratchings | 9 | RRG.4. Stock Draws | 18 |
| 7. Pre-paid Entries..... | 9 | RRG.5. Rodeo Round Preference..... | 18 |
| 8. Points awarded events | 9 | RRG.6. Multiple Head Contest..... | 18 |
| 9. Youth age divisions..... | 9 | RRG.7. Re-Rides | 18 |
| 10. Additional cattle available | 9 | RRG.8. Competitor Delay..... | 18 |
| 11. Split Pool Campdrafts | 9 | RRG.9. Turnout Fee | 18 |
| 12. Encouragement campdrafts | 9 | RRG.10. Electronic Stock Prods Refer to AWC 4.4. | 18 |
| 13. First round run limits | 9 | RRG.11. Spurs..... | 19 |
| Com.15. Ambulance/Medical Staff Requirements | 10 | RRG.12. Non Stock Drawn Events..... | 19 |
| Com.16. Agricultural Shows | 10 | SECTION 2 BAREBACK..... | 19 |
| Com.17. Selection of Stock | 10 | ARF Open Bareback Bronc Ride | 19 |
| Com.18. Prize Money Payout | 10 | 2.01 Equipment | 19 |
| Com.19. Ground Splits of Jackpot, Sweepstakes, Voluntary Added Entries and Added Entries | 10 | General..... | 19 |
| Com.20. Stock Contractors | 10 | 2.05 Re-Rides..... | 19 |
| Com.21. Pick Up Persons and Clowns..... | 10 | ABCRA Bareback Rules | 19 |
| Com.22. Starting Times | 10 | SECTION 3 BULLRIDE | 19 |
| Com.23. Two Head Contest..... | 10 | ARF Open Bull Ride..... | 19 |
| Com.24. Unsaddling and Stripping Chutes | 10 | 3.01 Equipment | 19 |
| Com.25. Points Award Rodeos | 10 | General..... | 19 |
| Com.26. Full Points Award Rodeo | 10 | 3.08 DISQUALIFICATIONS | 19 |
| Com.27. Dollars Only | 10 | ABCRA Bull Riding Rules | 19 |
| Com.28. Percentage Rodeos | 11 | RRSR.3. Bull Ride Rules..... | 19 |
| Com.29. Jackpot Rodeos | 11 | | |
| Com.30. Junior and Novice Rodeos | 11 | | |
| Com.31. Rodeo All Round Junior Events..... | 11 | | |
| Com.32. Minimum Prize Money..... | 11 | | |
| Com.33. Added Back | 11 | | |

| | | | |
|---|----|---|----|
| SECTION 4 SADDLE BRONC | 20 | RODEO STOCK | 28 |
| ARF Open Saddle Bronc Ride | 20 | RRS.1. Dangerous Stock | 28 |
| 4.01 Equipment | 20 | RRS.2. Insufficient stock | 28 |
| General | 20 | RRS.3. Substitute Stock | 28 |
| 4.07 Re-Rides | 20 | RRS.4. Fresh Re-Ride Stock | 28 |
| 4.08 Disqualifications | 20 | RRS.5. Withdrawn Stock | 28 |
| ABCRA Saddle Bronc Rules | 20 | RRS.6. Turnout Stock | 29 |
| RRSR.2 Saddle Bronc Rules | 20 | RRS.7. Flank Straps | 29 |
| SECTION 5 LADIES BARREL RACE | 20 | RRS.8. Head Collars | 29 |
| ARF Open Ladies Barrel Race | 20 | RRS.9. Turned Out Stock | 29 |
| 5.07 Barrels | 21 | RRS.10. National Stock Awards | 29 |
| 5.08 Course | 21 | RRS.11. Injured Stock | 29 |
| 5.09 Electric Timer | 21 | RRS.13. Limit on Use of Steer Wrestling Cattle | 29 |
| 5.10 Manual Watches | 21 | RRS.14. Junior Steer riding stock | 29 |
| 5.11 Whips | 21 | ARENA PERSONNEL | 29 |
| 5.12 Horses | 21 | RRA.1. Arena Personnel | 29 |
| 5.13 Warmup | 21 | RRA.2. Rodeo Judges | 29 |
| 5.30 Record Attempt | 22 | RRA.3. Chute Boss | 29 |
| 5.31 Disqualifications | 22 | RRA.4. Time-Keepers | 29 |
| ABCRA Ladies Barrel Race | 22 | Approved Time Keeper Application | 29 |
| RRTE.6. Ladies Barrel Race | 22 | RRA.5. Pick Up Persons | 29 |
| SECTION 6 COMMON RULES | 22 | RRA.6. Rodeo Clowns See also Committee Rule Com21 | 30 |
| ARF Timed Event Common Rules | 22 | RRA.7. Rodeo Personnel from other Associations | 30 |
| 6.03 The Barrier | 22 | JUNIOR RODEO COMPETITORS AND EVENTS | 30 |
| 6.09 Commencement of Recorded Time in the Timed Events: | 23 | RRJ.1. Juniors | 30 |
| General | 23 | RRJ.2. Protective Head Gear | 30 |
| Re-Runs | 23 | RRJ.4. Junior Saddle Bronc | 30 |
| 6.29 Disqualifications | 23 | RRJ.5. Junior Bull Ride Rules | 30 |
| ABCRA Timed Event Rules | 24 | RRJ.6. Juvenile Steer Ride | 30 |
| SECTION 7 BREAKAWAY ROPING | 24 | RRJ.7. Junior Steer Ride Rules | 30 |
| ARF Open Ladies Breakaway Roping | 24 | RRJ.8. 8- Under 11 Junior Steer Ride | 30 |
| 7.06 DISQUALIFICATIONS | 24 | RRJ.9. Juvenile/Junior Barrel Race | 30 |
| ABCRA Ladies Breakaway Roping Rules | 25 | RRJ.10. Junior Age Groups | 31 |
| RRTE.8. Ladies Breakaway Roping | 25 | NCCA CAMPDRAFT RULES | 32 |
| SECTION 8 ROPE AND TIE | 25 | INTRODUCTION | 32 |
| ARF Rope and Tie | 25 | 1. JUDGING -GENERAL | 32 |
| 8.12 Disqualifications | 25 | 2. JUDGING - CUT OUT / CAMP | 32 |
| ARF Rope and Tie Rules | 25 | 3. DISQUALIFICATION CUTOUT/CAMP | 32 |
| RRTE.2. Roping | 25 | 4. JUDGING- COURSE | 33 |
| SECTION 9 STEER UNDECORATING | 25 | 5. DISQUALIFICATION COURSE | 33 |
| ARF Open Ladies Steer Un-Decorating | 25 | 6. TERMINATION OF ROUND | 34 |
| 9.08 Disqualifications | 26 | 7. OTHER DISQUALIFICATIONS | 34 |
| ABCRA Ladies Steer Un-decorating | 26 | 8. CLASSES OF HORSES | 34 |
| RRTE.7. Ladies Steer Un-decorating | 26 | 9. STATUS OF HORSE | 34 |
| SECTION 10 STEER WRESTLING | 26 | 10. COMPETITOR STATUS | 34 |
| ARF Open Steer Wrestling | 26 | 11. GENERAL RULES | 35 |
| 10.10 Disqualifications | 26 | SMALL ARENA CAMPDRAFTING | 35 |
| ABCRA Steer Wrestling Rules | 26 | DRUGS AND WELFARE POLICY FOR HORSES USED IN | |
| RRTE.1. Steer Wrestling | 26 | CAMPDRAFTING | 36 |
| SECTION 11 TEAM ROPING | 26 | CODE OF CONDUCT FOR THE CARE AND TREATMENT OF | |
| ARF Open Team Roping | 26 | CAMPDRAFT LIVESTOCK | 37 |
| 11.17 Disqualifications | 27 | INTRODUCTION | 37 |
| ABCRA Team Roping Rules | 27 | POLICY STATEMENT | 37 |
| RRTE.3. Team Roping Rules | 27 | CAMPDRAFT CATTLE | 37 |
| SECTION 12 U14 BAREBACK | 27 | AREAS TO MONITOR FOR ANIMAL WELFARE CONCERNS. | 37 |
| ARF Under 14 Years Bareback Ride | 27 | CODE OF PRACTICE FOR COMMITTEES OPERATING A | |
| 12.01 Equipment | 27 | CAMPDRAFT | 37 |
| 12.02 Stock | 27 | Risk and prosecution | 37 |
| ABCRA COMMITTEE RODEO RULES RRC.1. Set Rounds | 28 | General requirements for all campdrafts | 38 |
| RRC.2. Split Event | 28 | Horse and Rider equipment | 38 |
| RRC.3. Minimum Entries | 28 | Buildings and Grounds | 38 |
| RRC.4. Events Stopped | 28 | Staff | 38 |
| RRC.5. Prize Money Breakup | 28 | Horses | 38 |
| RRC.6. Prize Money Rules | 28 | Committees | 38 |
| RRC.7. Non Event | 28 | General | 39 |
| | | Horses | 39 |
| | | Committees | 39 |
| | | Other requirements | 39 |
| | | NATIONAL CAMPDRAFT COUNCIL OF AUSTRALIA MEMBER | |
| | | PROTECTION POLICY | 40 |

| | |
|---|----|
| NATIONAL CAMPDRAFT COUNCIL OF AUSTRALIA ANTI DOPING POLICY FOR CAMPDRAFT COMPETITORS AND OTHER PERSONNEL..... | 40 |
| ARTICLE 2 – APPLICATION OF THIS POLICY | 40 |
| ARTICLE 3 - OBLIGATIONS | 40 |
| ABCRA CAMPDRAFT GENERAL | 41 |
| CDG.1. Allocation of point | 41 |
| CDG.2. Event Membership or Social members..... | 41 |
| CDG.3. Number of Judges | 41 |
| CDG.4. Campdraft Provisional Judges | 41 |
| CDG.5. Judging | 41 |
| CDG.6. Prize Money break up..... | 41 |
| ABCRA CAMPDRAFT RULES | 42 |
| CD.1. Point Score System | 42 |
| Lady Rider..... | 42 |
| Ladies Campdraft | 42 |
| Juvenile Rider | 42 |
| Junior Rider | 42 |
| Encouragement Rider..... | 42 |
| Master Rider Title..... | 42 |
| Open Age Drafts | 42 |
| Most Successful Rider | 42 |
| Horse Points | 42 |
| All Round Campdraft Horse..... | 42 |
| Open Campdraft Horse | 42 |
| Novice Horse | 42 |
| Maiden Horse..... | 42 |
| Drafts Limited to Numbers | 42 |
| Jackpot/Sweepstakes Drafts..... | 42 |
| 60/40 Sweepstakes | 42 |
| Points Status of Horse | 42 |
| CD.2. Encouragement Campdraft..... | 42 |
| CD.3. Protective Head Gear..... | 43 |
| CD.4 Entries DEC 20 | 43 |
| 4.1 Online iCompete Entries..... | 43 |
| 4.2 Nominations..... | 43 |
| 4.3 Accepted Nominations | 43 |
| 4.4 Horse Preference..... | 43 |
| 4.5 Changes to entries..... | 43 |
| CD.5. Draws DEC 20 | 43 |
| 5.1 Draw Order..... | 43 |
| 5.2 Events that are split (e.g. Maiden A & B)..... | 43 |
| 5.3 Horse substitution | 43 |
| 5.4 Missed runs | 43 |
| CD.6. Scratchings..... | 43 |
| CD.7. Run Offs and Cut Outs..... | 43 |
| CD.8. Placings | 44 |
| CD.9. Pre-paid Entries..... | 44 |
| CD.10. Small Arena/Indoor Campdrafts | 44 |
| CD.11. One Eyed Horse | 44 |
| CD.12. Fines..... | 44 |
| ABCRA CAMPDRAFT TRAINING DAYS/CLINICS | 44 |
| TEAM YARDING RULES | 45 |
| VIOLATIONS | 45 |
| V.1. General..... | 45 |
| V.2. Failure to Fulfill Contract Obligations..... | 45 |
| V.3. Dishonoured Cheques | 45 |
| V.4. Conduct Detrimental to Public Image | 45 |
| V.5. Loss of Championship Points and Prize Money | 45 |
| V.6. Appeals and Protests..... | 45 |
| V.7. Infringement | 46 |
| V.8. Harassment | 46 |
| V.9. Incorrect Nominations | 46 |
| V.10. Entries Refused | 46 |
| V.11. Disqualification..... | 46 |
| V.12. Stallion Control..... | 46 |
| V.13. Horses/Time Event Boxes/Camp Yard | 46 |
| V.14. Out of Control | 46 |
| V.15. Consumption of Alcohol..... | 46 |

GENERAL

G.1. Co-operation

No member shall refuse any reasonable request to assist the Association, its officers, committees, or agents in the proper conduct of the affairs of the Association.

G.2. Affiliation

Each Committee wishing to become a Member of the ABCRA **must also become a member of the Zone** in which the Committee is situated.

Zone requirements differ from Zone to Zone and Zone Committee Membership may be required at the Zone AGM.

Affiliation and insurance fees (if applicable) are to be paid to Head Office with the date application, if not paid the date will not be approved at the Australian Bushmen's Campdraft and Rodeo Associations' Annual General Meeting and the Committee will then have to re-apply to their Zone. The original date application should be sent to the Zone Secretary.

G.3. Annual General Meetings

G.3.1 The AGM of the Australian Bushmen's Campdraft and Rodeo Association Limited is at present held July each year and Zone AGM's are held at various times depending on the Zone concerned.

G.3.2 It is most important that Committees send representatives to these meetings as they are your meetings and enable the Committees to take an active part in the Association.

G.3.3 Those eligible to vote at a Zone Annual General Meeting are: two (2) delegates from each committee within the Zone who have been approved by their committee, plus 6 (six) competing members.

G.3.4 At the commencement of the meeting, these six (6) competing voting members should be decided upon. If possible equal numbers of rodeo and campdraft competing members should be selected. The method for selection is up to the Zone executive.

G.3.5 Your Zone AGM is the meeting where your representative to the Board of Directors is elected.

G.3.6 A person is ineligible for election in the position of a zone office bearer if they immediately related to or residing with another office bearer. A Director once elected by the zone cannot hold another position on the zone executive. Exceptions may be granted upon application to the Board for consideration of exceptional circumstances. **JULY 2019**

G.4. Board of Directors

The ABCRA is administered by a Board of Directors which is composed, at the present time, of one representative from each Zone, the President who is elected at the ABCRA AGM, the immediate past President and two representatives of each of the Members Councils.

G.5. Head Office

The staff are there to help you with any problems or advice but local matters are better handled through your Zone Secretary who should be your first point of contact.

G.6. Code of Practice Concerning Animal Welfare

Our sport consists of the adaptation of animals for use in our sport. We are all aware of the necessity of protecting our animals and ensuring them of the best welfare possible. As a

guideline the Board has adopted a 'Code of Practice' and 'Humane Treatment of Animals Code of Practice' which is available to all members and committees through Head Office. The ABCRA abides by this code.

All persons concerned in the sport must comply with this 'Code of Practice' in conjunction with the 'Prevention of Cruelty to Animals Act'.

G.7. Allocation of ABCRA Championships and State Championships

The right to hold ABCRA Championship Campdraft, ABCRA Championships and State Championships are approved two years in advance.

Committees wishing to conduct these Championships should lodge their application with Head Office in time for the application to be included in the Agenda for the ABCRA AGM.

The allocation of the championships will be a Board decision.

If more than one Committee applies for the same Championships, the Board will decide who will be the successful applicant.

The Board of Directors will accept nominations to hold the ABCRA Championship Campdraft from the AGM. The Board will determine the most suitable applicant. The Championships must be conducted in accordance with the ABCRA Championship Campdraft Code.

Applicants should state:

1. Date
2. Venue
3. Prize Money
4. Sponsorship (if any)
5. Accommodation available.

G.8. Financial Membership

Unless already checked by Head Office Affiliated Committees must check that competitors are current financial members by sighting a current Membership card, Membership Receipt or via the committee portal.

If a valid membership card or receipt cannot be produced upon request, the applicable Event Membership must be paid and receipt issued before competitor is eligible to compete.

An Event Membership is not refundable at any time. Waiver forms must be signed. Committees must not take entries unless membership number is given. No turn out fee without accompanying membership number.

Sighting of cards does not apply for entries through Central Entry.

Committees will be levied a penalty equal to the current Event Membership fee for each non-member allowed to compete.

Membership is due and payable on 1st May each year.

Memberships must be paid through Head Office, with no membership renewal or application being processed unless a liability waiver form being signed by the applicant or on behalf of a person under the age of 18 years, by their parent or legal guardian. Event Memberships may be paid at events. In the case of a new member an Event Membership may be paid and then refunded if application and payment for full membership is made within 7 days.

A parent or legal guardian of a junior competitor must be a financial member. A Parents Code of Conduct form to be signed

by parent/legal guardian who is a financial member of the Association.

Membership/membership renewal must be paid 72 hours prior to the commencement of an event. Otherwise a non-refundable Event Membership fee will be imposed.

There is no reciprocal membership recognised between our Association and any other in relation to either Campdraft or Rodeo competition.

G.9. Rights and Privileges

With the exception of Event Memberships, only full financial Members shall be eligible to participate in ABCRA activities. When a renewing member wishes to compete in an event, they may only do so upon their membership having been paid at least 72 hours prior to the commencement of the event. If the membership renewal is received later than 72 hours beforehand, then an Event Membership fee may be charged. Only full financial ABCRA Members shall be eligible to receive any Zone, State or ABCRA National Awards.

G.10. Co-operation with the ABCRA

Any person becoming a Member of the ABCRA shall become familiar with its Rules and Bylaws and shall comply with and be bound by same. Upon becoming a Member of the ABCRA, an individual agrees to cooperate with and assist any ABCRA official in the enforcement of the ABCRA Official Rodeo Rules at any ABCRA-approved rodeo or in any matter of official business.

G.11. Release of Liability

All Members, in consideration of their membership and participation or other involvement in any capacity at ABCRA events, do by their membership and participation agree to release, waive, discharge, and covenant not to sue the ABCRA, all ABCRA sponsors (and such companies and their respective officers, directors, employees and agents) from all claims, demands and liabilities for any and all property damage, personal injury or other responsibility asserted or adjudged against any such Member or Members by any third parties arising from any such Member's or Members' participation or other involvement in ABCRA events, except any such claims, demands or other liabilities asserted or adjudged against such Member or Members by a third party resulting from the gross negligence or wilful misconduct of the ABCRA, and/or ABCRA sponsors (and/or such persons' or entities' affiliated, related and subsidiary companies and their respective officers, directors and employees).

G.12. Consent to Use Name and Likeness

Any Member of the ABCRA who enters a sanctioned ABCRA event, and any Stock Contractor, Contract Personnel, official or staff of the rodeo, or other person admitted to the rodeo shall, as a condition of entry, employment, admission or other involvement therein, be deemed to consent to ABCRA ownership of all rights in and to his or her appearance or other involvement therein, and the ABCRA shall have the right, and may permit others as it sees fit, to dispense, reproduce, and otherwise use any such person's name, voice, likeness, biography, photograph and other pictures in connection with the advertisement and promotion of the event and any reproduction thereof in any form, but not in conjunction with any statement constituting an endorsement by such person of any product or service, unless that person's consent thereto is first obtained. A Member of the ABCRA who participates in

sanctioned events authorises the ABCRA to act in the Member's behalf as well as in behalf of the ABCRA in engaging in promotional activities relating to the conduct of the sport of rodeo.

G.13. No Power of Endorsement

No Member shall have any right or authority to grant an endorsement to any third-party on behalf of the ABCRA.

G.14. Legal Age Requirement

No Membership or permit will be issued to anyone under the age of 18. Membership applications for those under the age of 18 must be accompanied by a parental or legal guardianship consent signature and code of behaviour.

G.15. No Financial Obligations Outstanding

No membership renewal in any membership category will be processed if the applicant for renewal has any delinquent financial obligations due to the ABCRA.

G.16. Special Events

Upon special application, the Executive Officer may accept any event that is deemed to reflect substantially upon the business reputation and public image of the ABCRA.

G.17. Infractions

A Rodeo Committee accepting Event Membership entries will assume full responsibility for any fines related to infractions committed by the Day entries.

G.18. Committee may set Ground Rules

A committee may set Ground Rules which apply to their event held at their particular venue. The rule/s to be set with the concurrence of either the Event Director or an MRC member and the judges for the event. This rule also applies to the National Finals.

The rules need to be set before competition commences and be posted at the Secretary's Box in a prominent location which is clearly visible for competitors.

G.19. Campdraft /Rodeo Personnel

Campdraft/Rodeo Office must be advised of all substitute personnel prior to commencement of the event.

G.20. Tied Awards – End of Year

Where there is a tie in the Open, Rookie or Junior title at National or Circuit level, the trophy will be awarded to the person that has accumulated the most wins in the season.

If the title winners are still tied then the count back will continue down the placing's won until a decision is reached and one winner is awarded the trophy. However, both competitors will be awarded, in name, joint title winners of the event.

National Finals tied awards See N5.

G.21. Medical Clearance - Return to Participation/ Competition

Any competitor, official or voluntary worker that has been attended by a registered medical practitioner or an accredited medical provider at an event for a suspected head injury or that has been knocked unconscious for any time or has been transported in an unconscious state and/or is admitted to an emergency care facility or has suffered any physical injury preventing normal mobility, is required to provide to the Association's Head Office, a medical clearance from a registered medical practitioner or registered emergency care

facility clearly noting the date of any return to participation/competition clearly noting any conditional circumstances.

The same requirement applies to any competitor, official or voluntary worker that has suffered or is suffering from any form of debilitating illness.

Failure to provide an appropriate medical clearance will see the competitor, official or voluntary worker subject to possible disciplinary action or sanction G.21. which may restrict for a time or remove any rights to participate/compete or officiate.

The Association reserves all rights in relation to enforcement of the rule.

NATIONAL FINALS

N1. National Finals Rodeo

There shall be held annually a National Finals Rodeo for open competitors and junior competitors in each of the following events:

Bareback, Saddle Bronc, Bull Riding, Rope and Tie, Team Roping, Steer Wrestling, Barrel Race (Ladies), Breakaway Roping, Steer Undecorating.

The junior events to be contested are Barrel race –under 11, 11–Under 14, 14–Under 18; Breakaway 8–Under 18; Junior Steer ride 8–Under 11; Junior Steer ride 11–Under 14; Juvenile Steer ride 14–Under 18.

The National Finals will be judged under the relevant points year rules except for animal welfare and safety issue changes that may have occurred between the end of the points year and the National Finals.

Composition of the National Finals Committee

The National Finals shall be directed by a National Finals Committee, which will comprise of the Executive Officer, President and at least five members, nominated by the M.R.C. and passed by the board of directors.

A minimum of 3 go-rounds must be run in each open event. Points in each of the go-rounds in National Finals Rodeo plus the aggregate points are to be added to the annual points, for the preceding year ending 30 November.

Eligibility and entry conditions to the National Finals Rodeo

To be eligible for the National Finals Rodeo

1. a contestant must be in the top fifteen (15) competitors nationally who are available, according to the point score in that competition year, or be a contestant in direct available descendency, if those contestants are unavailable.
2. A further 10 competitors (16th to 25th) may also enter and be placed on a reserve list.

In the Team Roping event, competitors must partner with another competitor entered for the National Finals and in the top fifteen (15) available. If a competitor qualifies in the top 15 in both heading and heeling they may compete in both events at the National Finals but must nominate which end will count for all round at National Finals entry time.

During the National Finals (only), both the header and heeler will receive all round points on a 5,4,3,2,1 basis. In the instance that a competitor has qualified both heading and heeling that competitor will only accumulate points for the All Round in either heading or heeling, whichever end they have nominated at the time of entry.

All entries for the National Finals Rodeo will be through Central Entry.

Entries must be paid in full by the advertised closing date, there will be no exceptions to this rule. If entries are not paid by that date the next person in order of eligibility will be contacted and offered a position.

If a competitor is unable to be contacted on the contact number on file in Head Office it will be deemed that the competitor has not entered and the competitors place will be given to the next eligible and available competitor.

Competitors will be formally advised of their position.

No substitutions will be permitted after the draws are completed.

Timed Event Draws will not be released until stock are on the grounds.

N2. National Finals Rodeo Rules

The National Finals shall not be run in conjunction with any other event unless sanctioned by the Board and will be conducted as soon as possible after the preceding point year.

At National Finals the ground around the barrels in Barrel Races will be raked after each 5 runs.

To be eligible for a National Finals Rodeo All-round title, contestants must gain points in two (2) or more events as of 17/3/2015.

N3. Distribution of Prize Money

Distribution of prize money for rodeo events at the National Finals will be twice as much for the average as any go-round.

Payouts will be 5 places in the rounds, 5 places in the aggregate.

At National Finals the second round chute draw will be the reverse of the first round results. The third round will be drawn as the reverse of the current National standings including results from round one and two.

Barrel Race – The first and second rounds will be drawn, the third round draw will be the reverse of current National standings including results from round one and two.

N4. Tied Awards

Where there is a tie in the Open, Rookie or Junior average (Aggregate), the trophy will be awarded to the person that has accumulated the most wins at the finals. If still tied, the count back system should be number of firsts then seconds then minor placings. If still tied then highest scores/fastest times.

N5. The National Finals Campdraft

The National Finals Campdraft shall be held annually in each of the following events; Open Rider, Open Horse, Novice Horse, Maiden Horse; Lady Rider, Encouragement Rider, Juvenile 13 and Under 17 years Rider, Junior 8 and Under 13 years Rider.

Each event will be run over minimum two (2) rounds.

Nominations shall be received from the top 40 point holders. The Board and National Finals Committee reserves the final decision each year as to the number of finalists who shall be eligible to compete in each event.

Year end points will be carried into the National Finals Campdraft with the exception of All Round campdraft horse.

Points gained in the Open Rider campdraft at the National Finals Campdraft will be the only points added to the Most Successful Rider standings.

A National Finals aggregate win will be considered a Campdraft win and will alter either horse or rider status where applicable. For example – Maiden aggregate win will be considered a Maiden win. Encouragement aggregate win will be considered an Encouragement win. A Novice Aggregate win will be considered a Novice win and accumulated as another Novice win as per normal. **25/07/2017**

COMMITTEE RULES

Com.1. Rules

The Rules of the Association are drawn up for the purpose of assisting all affiliated bodies in conducting Campdrafts, Rodeos or other events on a uniform basis.

As a condition of affiliation, Committees will abide by the Rules and any By Laws of the Association as amended from time to time.

Com.2. Non-ABCRA Events

Any non-ABCRA event to be held during an ABCRA sanctioned fixture must be listed on the date application and be approved by ABCRA.

Com.3. Advertising and Programs

Judges names should be printed on all programs wherever possible.

Committees are recommended to insert on entry forms a clause stating that the committee reserves the right to refuse any nomination for any event and in addition may refuse entry onto the arena of any person.

All committees must clearly advertise on their program each individual events total prize money, entry fees plus added back and how many ways an event is paying.

The words "Affiliated with the Australian Bushmen's Campdraft and Rodeo Association" or "Affiliated with the ABCRA" plus ABCRA Logo must be shown on all programs, posters and advertising used by the affiliated Committee for their approved fixture.

It is recommended that Committees insert on all entry forms, a clause stating that the committee reserves the right to refuse any nomination for any event.

That all committees must advertise total prize money, entry fee plus added back.

A copy of the Committee's program must be sent to Head Office for approval before being released.

Com.4. Date Allocation

Proposed dates must be lodged with the Secretary of the Zone prior to the Zone AGM for Zone approval and submitted to Head Office by 1 May each year.

Date applications will be from the 1st January to the 31st December for the following year.

Committees must pay their affiliation and insurance to Head Office prior to May 1, otherwise their date will not be approved at the Australian Bushmen's Campdraft and Rodeo Associations' Annual General Meeting and they will then have to re-apply to their Zone.

Date allocation and date disputes

Once dates have been allocated for fixtures at the AGM, they cannot be altered without permission of the Committee affected by the change and the Zone Secretaries concerned. In the case of a satisfactory agreement not being reached the Executive Officer and the President and applicable Zone Directors will act as arbitrators, their decision being final.

Committees applying for a date after the dates have been granted at the AGM or Committees wanting to change their date must apply to their Zone and Head Office must receive in writing/fax from the Committee affected by the new date the approval or objection of the proposal with reasons for objection.

Com.5. Arena Surfaces

All arenas and surfaces must comply with animal welfare rules. MRC directors, officials and/or stock contractors in consultation with the organiser and/or committee can stop an event if they feel that the arena surface is unsuitable to continue competition.

Campdraft Arenas

The Arena surface MUST be safe, being either ploughed or soft surface (sand or loam) arena.

Rodeo Arenas

The arena shall be no smaller than the minimum size of 35 metres from bucking chutes to the opposite fence and a minimum of 70 metres from time event box to opposite fence. For Bull Riding only events recommended minimum of 26 metres from the chutes to the opposite fence.

Com.6. Entries

A competitor has the right to nominate horses in the order he wishes them to run, providing this right is exercised when placing entries.

A proper draw for positions must be made. Competitors with two or more entries if drawn close in the draw, must be returned to the draw. Membership number and name of horse must be given with entries. Closing of entries is up to the Committees concerned, except for entries made through Central Entry.

It is recommended that committees include on their programs a statement to the effect that they reserve the right to close entries earlier than the advertised date due to seasonal conditions or unavailability of cattle.

Com.7. Entry Fee

The entry fee shall not exceed three percent (3%) of total prize money (excluding trophies and free services). A stock levy may be charged in addition to the three percent (3%). A stock levy (As set by the Board) + GST if applicable, is permissible, providing the Committee can substantiate the cost. Such stock levy must be clearly stated on the program.

Com.8. Stock Deposit

A Campdraft Committee may charge a stock levy that is refundable when entries are paid. Entries must be paid prior to competing.

Com.9. Refusal of Entries

The Promoting Committee reserves the right to reject the entry of any contestant who has violated the general rules, who has been dishonest in the competition or who has proven to be undesirable in any recognised event. All committees are obliged to reject entries from persons who at the time are serving a period of disqualification imposed on them by the Board of Directors.

Com.10. Prize Money

Rodeo and Campdraft Committees must comply with all rules relating to prizemoney and purse money as set forth in the Official ABCRA Rules or any Bylaws.

Com.10.A. Ribbons

Recommended. 1 – Blue, 2 – Red, 3 – White, 4 – Yellow, 5 – Dark Green, 6 – Brown, 7 – Cream, 8 – Pink, 9 – Orange, 10 – Lime.

Com.11. Results

Committees are to return all results within 21 days from the date of campdraft or rodeo.

Secretaries of affiliated Committees are required to forward to ABCRA a reconciliation of all competitors and/or horses gaining first, second, third, fourth and fifth places including competitors membership numbers and the scores in all campdrafting events.

Com.12. Competitor's Gate Entry

Rodeo competitors competing at a venue receive free gate entry.

Campdraft competitors competing at a venue receive free gate entry except at Agricultural Shows.

Any competitor found manipulating the gate entry system shall be fined minimum of \$100.00

Com.13. Hosting the ABCRA Championship Campdraft

The ABCRA Championship Campdraft will be the Campdraft Annual event where all competing members will be eligible to compete.

Entries for the ABCRA Championship Campdraft can only be accepted from full members of the ABCRA, who must be full financial members at time entries are lodged and membership number must be submitted with entries as well as names of horses entered. Reciprocal membership does not apply. No Event Memberships.

Where three rounds are run in a draft at the ABCRA Championship Campdraft a minimum of 25% of competitors with full round scores will be run in the second round.

No other campdraft is to be run on the same day as the ABCRA Championship Campdraft **Unless approved by the board.** An exception may apply to West Australian and North Queensland campdrafts.

Com.14. CAMPDRAFTING

1. No. of Competitors for final rounds

A committee should not stipulate the number of competitors for the final round.

2. Campdraft conditions

All committees must endeavour to avoid the situation in campdrafting events where competitors compete under different conditions because of changes of cattle and/or lack of daylight.

3. Cattle selection

Committees should ensure that cattle supplied from different sources and being used in the one campdraft be marked and boxed wherever possible.

4. Turn back riders

That there be a maximum of ten (10) riders in the arena at any one given time to recover spent stock.

6. Scratchings

Campdraft competitors lodging entries and not attending the draft and who have not notified the committee not later than 72 hours prior to the commencement of the program, will be subject to payment of the advertised stock levy and a fine at the committee's discretion.

The co-operation of other committees is requested in ensuring that competitors with outstanding scratching fines are not allowed to compete until such fines are paid.

7. Pre-paid Entries.

Committees may not present cheques not less than 72 hours prior to the commencement of events.

8. Points awarded events

A Campdraft will be a point awarded event providing that a committee's event is approved by the ABCRA and is advertised (as per ABCRA guidelines) in the ABCRA magazine and/or Website with appropriate social media coverage. The advertising period to be a minimum of 7 days prior to the entries being open. Any additional events added to a program without approved advertising methods and after entries have been closed will be non-point awarded.

A program that advertises that an event may be run subject to cattle availability with entries taken on the day will be a point award event. **OCT 2019**

9. Youth age divisions

All regular Campdraft events are to conduct standard age group divisions for the Junior and Juvenile events. Youth only campdraft fixtures can split age groups.

Junior Campdraft

A Junior campdraft will be inclusive of all riders 8 to under 13 years of age. In the event that a committee would like to split the age group further (eg 8 to u11, 11 to u13) then approval will need to be applied for through the ABCRA. This only applies to general campdrafts, not Youth exclusive events.

Juvenile Campdraft

A Juvenile campdraft will be inclusive of all riders 13 to under 17 years of age. In the event that a committee would like to split the age group further (eg 13 to u15, 15 to u17) then approval will need to be applied for through the ABCRA. This only applies to general campdrafts, not Youth exclusive events.

OCT 2019

10. Additional cattle available

Once entries have closed for a Campdraft and extra cattle become available. Committees are to give Waitlisted competitors the opportunity to enter before such time as accepted competitors' first round run limits are increased. This will not negate the opportunity for a committee to run a jackpot draft if cattle are available on the day. **OCT 2019**

11. Split Pool Campdrafts

When a Maiden Campdraft exceeds 200 entries it is a requirement for the event to be split into a A and B pool or more. In the event of a perpetual or memorial trophy the winners of the pools run off for that trophy. The Board recommends Novice campdrafts are conducted in the same manner. Committees may apply for exemption to this rule. **JULY 19**

12. Encouragement campdrafts

Where a committee does not hold a separate Encouragement Campdraft they may run an Encouragement Campdraft in conjunction with a Maiden, Novice or Open Campdraft. Should the Encouragement Campdraft be run over more than one event a final must be conducted, all finalists start with a zero score. If the Encouragement Campdraft is conducted in conjunction with a split pool event, there is to be winners awarded from each pool unless a final is performed at the committee's discretion. **OCT 2019**

13. First round run limits

Horses are limited to two (2) first round runs with the exception of the ladies, Open for Open, Junior and Juvenile

Campdraft events. Committees may apply for exemption. **JULY**

19

13.

Com.15. Ambulance/Medical Staff Requirements Competitive Events

A Committee is to make arrangements for an ambulance or suitably accredited medical officers to be in attendance on the grounds throughout a competitive Campdraft, rodeo or other competitive fixture sanctioned by ABCRA.

Should an ambulance have to leave the grounds the Committee shall not allow the Rodeo or fixture to proceed until another ambulance or alternative suitably qualified medical assistance is available.

All premises must have an effective communication link for contacting emergency services. All officials and staff should be aware of the location of the communication link.

Training Days

A committee must adhere to the Training Day Medical Intervention Matrix when assessing the appropriate medical service required at any type of training day.

All premises must have an effective communication link for contacting emergency services. All officials and staff should be aware of the location of the communication link.

Prior to conducting any Training Day, a committee must complete a Training Day Date Application form which is to be forwarded to ABCRA for approval and must contain the following details;

- a) The type of training day.*
- b) An accurate estimate of the number of participants*
- c) The type of and distance to the nearest Emergency Medical Care Facility.*
- d) The type of medical Intervention to be used.*
- e) A copy of the qualifications of the person that will act on the day.*
- f) The effective method of communication for contacting emergency services.*

Note: *Not required if an Ambulance or Commercial Paramedic is used.*

A levy per entry (to a maximum as set by the board from time to time) may be charged by committees as a cost recovery for the provision of approved medical attendants.

Com.16. Agricultural Shows

At affiliated Agricultural Shows all Rodeo and/or all Campdrafting events may be affiliated with the ABCRA. The committee must nominate which events they wish to affiliate. Any such nominated event must be advertised in the schedule or printed program as being "affiliated with the ABCRA" and all contestants must be members of the ABCRA to compete.

Com.17. Selection of Stock

Under the Code of Practice, committees must select stock for rough stock, time events and junior bulls except junior steer and juvenile steer, from stock contractors registered with the ABCRA. Copy of program must be sent to Head Office.

Com.18. Prize Money Payout

It is a recommendation that in events where there are more than 15 contestants all advertised prizemoney be paid out.

Com.19. Ground Splits of Jackpot, Sweepstakes, Voluntary Added Entries and Added Entries

In the event of no competitor qualifying in these events, added entries are returned to the competitors.

Com.20. Stock Contractors

Committees should draw up an official contract with Stock Contractors and this document be signed by both parties prior to the commencement of the Rodeo.

Stock Contractors must be full senior members of the ABCRA, Event Membership and social membership is not acceptable. Stock Contractors must be approved by the ABCRA. The person in charge of the stock present at the rodeo must be a full senior financial member.

Committee using Contract Stock must include on the contract that Contractors abide by the ABCRA Rules and Regulations.

Com.21. Pick Up Persons and Clowns

Pick Up Men and Clowns must be full senior members and approved by ABCRA.

Com.22. Starting Times

If slack and or performance rounds are to be run the committee must advertise starting time for each performance. First performance may, under exceptional circumstances, commence later than the advertised time, but no earlier than the advertised time.

Com.23. Two Head Contest

Committees wishing to run a two head or more contest must advertise. Prizemoney will be paid out as advertised. If not advertised, money and points will be given on first head, second head jackpot only. (also refer RRC.6)

Com.24. Unsaddling and Stripping Chutes

Committees must supply suitable unsaddling chutes and team roping stripping chute.

Com.25. Points Award Rodeos

The Zone Executive Committee will appraise all applications from Committees in their Zone and will make the decision whether the applying Committee's Rodeo is within these guidelines.

The following suggested criteria for committees to consider are:

Com.26. Full Points Award Rodeo

Is to have a minimum of ten (10) standard events, being - Saddle Bronc Ride, Bareback Ride, Bull Ride, Steer Wrestling, Rope and Tie, Team Roping, Juvenile Steer Ride, Juvenile Barrel Race, Ladies Barrel Race - plus at least one (1) other Ladies Event, either Steer Undecorating or Breakaway Roping.

If a Committee conducts a full Junior Rodeo, they are not required to run the mandatory Junior events at their Senior rodeo if held in the same points year.

A committee that runs a full event rodeo may run another program with the events of their choice within the same points year with full points (event, not allround) being allocated.

In the event that a committee applies to run a full points award rodeo they will be entitled to run a jackpot or lesser event rodeo within the same points year and will be awarded full points (dollars only – not all round points).

Com.27. Dollars Only

CRITERIA: A minimum program of 2 Open rough stock events, 2 timed events, 1 ladies event, 1 Junior event.

(No All Round points) Prize Money as per current rodeo rules.

Com.28. Percentage Rodeos

A committee that does not meet the full points or dollars only criteria will be entitled to run a percentage rodeo. One open event will be awarded 30%, additional open events will each attract an extra 10% however, capped at 60%. Percentage awarded will be credited to event standings but will not attract all round points.

Com.29. Jackpot Rodeos

A committee may run a jackpot rodeo event. Minimum added entry is set at \$50 per open event. Points award criteria will be as per percentage rodeos.

Junior events that are run as a jackpot, the added entry will be a minimum of \$10 and a maximum of \$20 plus any levies.

When a Junior event is a Jackpot event, the committee must advertise the amount of entry contributed to the Jackpot Pool. NOTE: That Jackpot rodeos must be advertised and employ ABCRA approved personnel.

Com.30. Junior and Novice Rodeos

This type of rodeo will not affect junior points as long as the events are advertised. They will still receive national and circuit points as normal. Novice Events will still go towards breaking your novice status if you place.

Com.31. Rodeo All Round Junior Events

If a committee runs all the below listed junior events then the fixture will be eligible for Junior All Round points.

- Under 11 Junior Barrels
- 11 - Under 14 Junior Barrels
- 14 - Under 18 Juvenile Barrels
- 8 - Under 18 Junior Breakaway
- 8 - Under 11 Junior Steer Ride
- 11 - Under 14 Junior Steer Ride
- 14 - Under 18 Juvenile Steer

Com.32. Minimum Prize Money (Points award events only)

Minimum prize money for;

- a) Eight (8) major events will be \$300 per event.
- b) Juvenile Steer Ride and Juvenile Barrel Race to have minimum \$100 or run as a jackpot

For Junior Rodeo Events with posted prize money of \$99 or less, the total individual entry fee and levies are capped at 10% of the posted prize money.

The eight (8) standard rodeo events to have equal amount of money per event with the committee having the right to feature any events, with no event being featured with more than double the prize money of any other standard event. Breakaway Roping and Steer Undecorating have \$300 per event if only one event is run. If both events are run the Committee has the option of having \$200 each event.

Entry fee shall not exceed 3% of total prize money plus mandatory \$30 minimum added money for all major events.

Com.33. Added Back

The following scale is to be used when calculating entry fees and added back;

Prize money of \$300 - \$599 = \$30 added back

\$600 - \$999 = \$40 added back

\$1000 - \$1999 = maximum of \$70 added back

Over \$2,000 = maximum of \$70 added back, unless the committee applies for a higher added back fee through Head Office, and approved by the Rodeo MRC.

Committees have the option of including \$5 added back on junior events. **3 September 2018**

Com.34. Order of events

It is a recommendation to committees that a set program be established for the order of events held at Points Award Rodeos. It is recommended that the program alternate between a rough stock and a time event. Not all open events are required to be run in the second rodeo performance. Committee has the right to alter the order of events on the day at committee's discretion.

If a juvenile barrel race is run consecutively, the ladies event will be run first. In the event of split rounds the Ladies Barrel Race be run between the split rounds. It is recommended that the novice barrel race be run prior to the Ladies Barrel Race.

Com.35. Competitor signature for prize money

The competitor's signature is acknowledgement of receipt of the prize money received by the competitor. It does not in any way preclude subsequent amendments of prize money and points awarded due to clerical or other errors.

ABCRA ANIMAL WELFARE CODE - RODEO

CODES OF PRACTICE PERTAINING TO THE USE OF LIVESTOCK

AWC.1. Selection of Stock

- 1) All animals shall be bovine or equine species.
- 2) All horses used in Rodeo to be sound and healthy and of mature age.
- 3) Dangerously horned stock to be avoided. All bulls used in bull riding events to have their horns tipped to a minimum diameter equivalent to a 20 cent piece. Until these requirements are met, the animal must be removed.
- 4) All stock, either bovine or equine, which are used for an Open Riding event, must have the permanent incisor teeth at the time of their use.
- 5) All timed event stock to be sound and healthy with weights within the minimum and maximum weight range of the relevant State or Federal. Stock in fat body condition should not be used.
- 6) Female stock which are in an obvious pregnant condition must not under any circumstances be used in any Rodeo or Campdrafting event.
- 7) The minimum weight applying to cattle used in steer riding events is as per the relevant State or Federal Regulation. Rider weight is restricted to 40kg or under.
- 8) That all timed event stock must be either roped, tied or thrown as well as run through a box in the arena prior to being transported to a rodeo. All stock must be run through the box in the arena prior to the commencement of the rodeo, unless not practical.

AWC.2. Assembly of Stock

- 1) Assembly of stock must be carried out in stock proof yards and all chutes and loading ramps are to be leg proof.
- 2) If animals remain in yards for more than 24 hours before loading or if animals are to travel for 24 hours, feed as well as water should be provided.
- 3) Shelter from heat, wind and cold is not considered necessary for cattle and horses except in extreme conditions of climate.

AWC.3. Care and Treatment of Animals

- 1) At the completion of unloading stock a representative of the promoting committee to inspect stock and any injured animals

to be treated and placed in a situation to relieve stress as soon as practical.

2) During each and every event, a representative of the committee will supervise the use of stock to ensure the continued suitability of stock for use during such event.

3) No artificial stimulants or drugs to be used unless prescribed by a Veterinarian.

4) Contract cattle used for steer wrestling and roping may be used on no more than three occasions in each day. Non contract cattle used for steer wrestling and roping may be used on no more than two occasions in each day. Cattle used for campdrafting may be used on no more than one occasion per day excepting Team/Penning/Yard drafting. Non contract bucking animals may be used no more than twice in one day, with the exception of re-rides. Bucking animals owned by contractors approved by the A.B.C.R.A. may be used no more than four times in one day.

5) All bucking horses and bucking bulls must be supplied by a stock contractor approved by the A.B.C.R.A.

6) Committees must ensure that they have access to a recognised veterinarian, D.P.I. Inspector, Stock Squad Inspector or Department of Agriculture Stock Inspector as per State or Federal Codes and or Regulations.

7) At the completion of each event and prior to the loading of stock for transport to respective return destination all stock will be inspected by a representative of the committee to ensure stock are healthy and sound and suitable for such transportation.

8) If available, services of a veterinary surgeon will be procured to provide the humane destruction of any animal which is deemed to be in a state of distress requiring such treatment. If a veterinary surgeon is not available, any competent paramedic and/or stock contractor may be procured to provide such services.

AWC.4. Loading and Unloading of Stock

1) Loading facilities should be constructed so that they are not likely to cause injury to animals.

2) The ramp should be wide enough to allow for the hips of mature animals, but narrow enough to prevent animals turning around. The inner rails should be smooth with no sharp projections which may injure animals.

3) Animals should be loaded in a way that does not cause them injury.

4) One standard electric prod only shall be used as little as possible and may be powered by battery or dynamo only.

5) Flappers are ideal as they encourage movement in response to sound.

6) The use of sticks, metal piping, wood or heavy leather belts should not be permitted as methods of encouraging stock to move.

7) Different animal species i.e. horses and cattle should not mix during transport.

8) Loading should be supervised by experienced personnel. Supervisors should ensure that spectators do not interfere with the smooth loading of animals.

AWC.5. Humane Treatment of Livestock

1) Animals for all events will be inspected before the draw and no sore, lame, sick or injured animals shall be permitted in the draw at any time. Should an animal become sick or injured between the time it is drawn and the time it is scheduled for competition, that animal shall be withdrawn from competition.

2) No animals shall be cruelly prodded or beaten. Standard electric prods shall be used as little as possible and shall only be used by an experienced operator. Only one (1) prod to be used on any bull or horse in the chutes, on the area of the animal as designated in the Code of Practice. Animals shall only be touched on the hip or shoulder area with the prod. Prod must not be used inside the arena.

3) Chutes must be constructed as to prevent injury to stock. Maintenance men shall be stationed at chutes to assist in removal of any animal should it become caught.

4) Any animal that becomes excessively excited so that it gets down in the chute repeatedly, or tries repeatedly to jump out of the chute or in any way appears to be in danger of injuring itself should be released immediately.

5) No stock shall be confined in vehicles beyond a period of 24 hours without being unloaded, properly fed and watered. When animals are carried in conveyances in which they do have proper food, water, space and opportunity to rest, the provision for unload shall not apply.

6) A conveyance must be available and used to remove animals from the arena in case of injury.

7) Livestock are to be removed from the arena after completion of contest.

8) No small animal or pets allowed in arena where restraint is necessary or subject to injury or attack by another animal.

9) No dogs or 'hot shots' will be allowed in the arena at any time during the contests.

10) Use of fireworks to frighten animals is prohibited. Should fireworks be used, all livestock must be removed from inside the arena.

11) The arena shall be free of holes, rocks and obstacles.

12) Weights - refer 'selection of stock'.

13) Any contestant, stock contractor, pick up man guilty of mistreatment of livestock, may be fined by the Board of the Association. Contestants will be disqualified for any mistreatment of livestock.

14) The Association recognises the R.S.P.C.A., the Animal Welfare Advisory Councils of NSW, QLD and WA and the N.S.W. Animal Welfare League as the sole authorities for the Humane Treatment of Animals in Australia.

These rules are intended to ensure the humane treatment of rodeo animals and shall be in effect for all ABCRA sanctioned events.

No animal shall be treated inhumanely by any member.

AWC.6. Contract Stock

All stock for Bareback, Bronc Ride, Bull Ride, Steer Wrestling, Rope and Tie, Team Roping, Breakaway Roping and Steer Undecorating must be supplied by approved stock contractors.

AWC.7. Stock Numbering

All contest stock must be numbered by either ear tag or freeze, fire brand after being tried and proven with a minimum of three runs with paint brand numbering. Failure of contractors in possession of livestock to meet this criteria, will result in \$10 fine per animal. Fine to progressively double. After 3 infringements in one rodeo year (per rodeo), contractor will be suspended.

Animals for all events will be inspected before the draw, and no sore, lame, sick or injured animal, or animal with defective eyesight, shall be permitted in the draw at any time. Should an animal become sick or incapacitated between the time it is drawn and the time it is scheduled to be used in competition,

that animal shall not be used in competition and another animal shall be drawn for the contestant.

Committees must ensure that they have access to a recognised veterinarian (NSW, QLD or WA) or DPI inspector (QLD), Stock Squad Inspector (QLD) or Department of Agriculture WA Stock Inspector.

Any injured livestock shall be humanely removed from the arena before continuing the rodeo contest or performance.

No locked rowels, or rowels that will lock on spurs may be used on bareback or saddle bronc horses. Spurs must be dulled.

Violation of this rule shall result in a fine, immediate disqualification and/or expulsion from the ABCRA.

All flank straps to be lined with sheepskin or approved lining. Flank straps shall be placed on the animal so the covered portion is over both flanks and belly of animal. Recommended suitable flank strap linings – sheepskin, synthetic lamb's wool, neoprene or wool blanket.

Only stock contractors, or a competent person duly appointed by same, shall be allowed to pull flank straps. In the event that a stock contractor is not available the rough stock judge must appoint a suitable person to pull flank straps. If it is a competitor in that event pulling flanks the contestant has the right to have the contractor appoint another flank man.

The use of electric prods is restricted to the minimum for effective handling of livestock. Prods may only be used once loading of chutes has occurred on known chute stalling animals. Cattle and horses may only be prodded on the shoulder in this instance, and then only by the stock contractor or his nominee (with contestant consent). Violation of this rule will result in a fine upon the stock contractor.

AWC.8. Arena

Chutes must be constructed as to prevent injury to stock. Maintenance men shall be stationed at chutes to assist in removal of any animal shall it be entangled.

The arena shall be free of holes, rocks and obstacles. The arena surface should be suitable and should also be softened to a minimum depth of approximately 75 mm to provide a shock absorbing surface for bucking and timed event stock. The arena shall be no smaller than the minimum size of 35 metres from bucking chutes to the opposite fence and a minimum of 70 metres from time event box to opposite fence. For Bull Riding only events recommended minimum of 26 metres from the chutes to the opposite fence

No small animals or pets allowed in arena, unless part of a contract act.

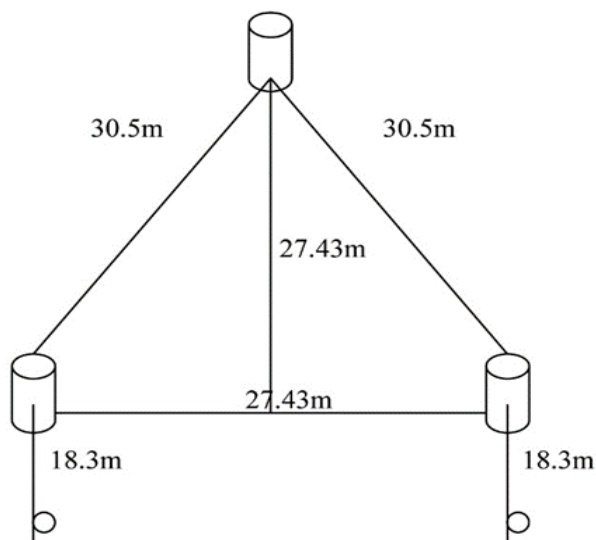
Animals must be removed from the arena after the completion of entry in contest, except in the case of steer riding, where used animals may remain if the contractor, or owner of the animals, so requests.

AWC.9. Rope and Tie

A neck rope on a contestant's horse must be used in the rope and tie event. The placement of such a neck rope must be in the vicinity from the head, to no more than half-way down the roping horse's neck. Neck rope, rope, reins and jerk line must be adjusted in a manner that will prevent the horses from dragging the calf.

Approved roping devices must be used in rope and tie to avoid abrupt stopping of calves. If a "jerk down" occurs, that contestant involved will be fined minimum of \$50 and disqualified. (A jerk down will be designated as a calf coming vertically over backwards with all four feet leaving the ground simultaneously, irrespective of how the calf lands.)

AWC.10. Ladies Barrel Race



Use of whip – More than two (2) whips between barrels and four whips coming home, or more than two (2) contacts between barrels and four (4) contacts coming home with an over and under will result in disqualification. To be ruled by the judge.

Drugs and welfare policy applies to all horses used in barrel racing.

AWC.11. Rodeo Stock

Any animal that becomes excessively excited or gets down in the chute repeatedly, or tries repeatedly to jump out of the chute, or in any way appears to be in danger of injuring itself should be released immediately.

If animals remain in yards for more than 24 hours before loading, or if animals are to travel for 24 hours, feed as well as water, must be provided. Failure to abide by this rule shall subject the stock contractor or person involved to a minimum \$250 fine for first offence and a progressive doubling for offences thereafter.

If a member abuses an animal by any unnecessary non-competitive or competitive action they may be disqualified for the remainder of the rodeo and fined minimum of \$250 for the first offence with that fine progressively doubling with each offence thereafter.

All timed event stock shall run through the event chutes and through the arena prior to the start of the contest, where conditions permit.

AWC.12. Stock Status

All horses in roughstock events must have been tried at least three times as a bucking animal before being put in novice events by an approved contractor.

All stock used in open rough stock events must be tried and proven in three novice events before being eligible for open event status.

In the event of stock shortage the stock contractor or rodeo committee shall be fined.

An event representative may declare particular animals unsatisfactory. Upon notification, either written or verbal, the stock contractor or rodeo committee shall eliminate such animal(s) from competition draw. Continued use of said animal(s) after notification shall result in a fine per competition levied against offending party.

Re-ride horses should not be nominated and advertised before an event because if animals are hurt, there are concerns about being unable to remove the animal from the draw. Animal welfare issues must always prevail and the final decision regarding the fitness and health of stock always lay with the stock contractor.

If an animal has been declared unsatisfactory for an event, that animal may not be used for another event without the approval of event representative.

Contract timed event stock used in the contest events of an ABCRA rodeo may not be used in any other way until after the last time that animal has been used in the contest events of that rodeo. Failure to abide by this rule shall result in fine per head per competition, levied against the party concerned.

All contract livestock used in roughstock events must have been tried before being put in the draw as per relevant State or Federal Code Practice.

AWC.13. Drugs and Welfare Policy for Horses used in Rodeo

The Australian Bushmen's Campdraft and Rodeo Association recognises the importance of sound animal welfare policies, which prevent the use of animals which are not fit for competition. Fitness may be gauged as appropriate physical fitness or lack of suitability for competition due to injury or disease.

The ABCRA recognises that animals used in competition must be treated in a humane manner and that the ABCRA does not condone the ill treatment or abuse of any animals whilst competing at campdrafts or rodeos.

1. The following provisions regarding conduct shall apply to any event whether in competition or practice.

(a) Inhumane treatment or abuse of a horse in any manner whilst in the arena or on the grounds is prohibited. Inhumane treatment includes, but is not limited to, the following:

- (i) Riding of a crippled, injured or lame animal.
- (ii) Riding of a horse with a health abnormality, which could result in the horse's undue discomfort or distress.
- (iii) Abuse of an animal which includes excessive jerking, spurring, whipping or any other act intended to cause trauma or injury to the animal.

(b) Any act of abuse or intent to abuse an animal whilst in the campdraft or rodeo arena or on the grounds or the vicinity which could also endanger the safety of other persons or animals will not be tolerated and the persons may be subject to disciplinary action.

2. If the Campdrafting and Rodeo Committee discovers inhumane treatment or abuse of a horse it may immediately bar the responsible party and horse from further participation from the event. This decision should be based on consultation with a veterinary surgeon. In the event that a Veterinary Surgeon is not available then the committee shall consult with the judge(s) of the event before any action is taken under this rule.

3. Administration of a drug or drugs while on the grounds or the vicinity of campdrafting and rodeo grounds, including the arena, practice area or stables is strictly prohibited with following provisos:

(i) Any horse winning an event may be swabbed. Other horses will be chosen at random before the running of an event and they will be swabbed at the completion of the event. The number chosen will depend on the number of entries in the event.

(ii) All testing will be by blood sample. Entry to any event will be contingent on permission for such blood samples to be obtained. The blood test will be an accurate determination of drug levels in the blood stream (not a screening test).

A registered drug-testing laboratory will perform the test. Blood samples will only be taken by veterinarians using tamper proof sample kits supplied by the testing laboratory.

(iii) A veterinarian must gazette all drugs that he has prescribed and administered to a horse up to 10 days prior to competition. This information must include a statement that the horse is fit for competition, the reason the drug has been given, the drug administered. The dose, the route of administration and the date and time that the last dose of the drug was administered. All of these conditions are mandatory. Any horse found to have a positive swab in the absence of a Veterinarian's certificate will be reported to the governing Associations Drug Committee.

(iv) The result of drug tests will be reported to the governing Associations Drug Committee who on advice from the testing laboratory will determine whether any offence has been committed and what penalty will be imposed. Drug levels that are not high enough to have influenced the performance of the horse will not attract any penalty. These levels will be taken from internationally published data. All results of negative tests will be destroyed.

(v) The cost of these tests will be borne by the governing Associations except where such a test is positive in which case the cost will be borne by the Owner. In the event that a committee discovers or has a complaint made to them regarding inhumane treatment, abuse or any drug administration not in accordance with the above rules, the governing Associations shall be notified and a hearing to consider disciplinary action against the responsible party (s) shall be scheduled.

4. All nosebands must be either leather covered or rope and a minimum of 8mm.

RODEO ENTRY RULES MARCH 20

Central Entry Bond

Previous Bond requirements have been abolished. Bonds will be refunded upon application in writing which includes the member's bank deposit details and instructions. If membership has not been renewed for three (3) consecutive years, and the member has not previously withdrawn the bond, the member will forfeit this bond to the ABCRA.

Entries

Entries open online Tuesdays at 9 am and close on Friday at 5 pm. (These times may be subject to change)

All rodeo open status entries will only be accepted through the ABCRA online entry system.

Entry Fees must be paid at the time of entry for an entry to be accepted.

All Online entries will be confirmed by the payment receipt received by email. It is the competitor's responsibility to check entry email confirmation before the close of entries. Head office to be notified before the close of entries if there are any errors or discrepancies.

There will be no restrictions on the number of preferences a competitor can have when entering two (2) ABCRA rodeos on the same day. 17/3/2015

Committees may take entries on the day for Novice and Junior events providing it is notified on the program.

All fines must be paid in full before entries will be accepted. The ABCRA reserves the right to collect and recover credit card merchant fees.

All entries will attract an administration fee the amount will be set by the board from time to time.

Extended Entries (less than 8)

If there are less than eight entries in an event nominated through iCompete, entries may be extended through to Wednesday before the event. No late entry fee will apply up to eight entries.

Late Entries

Late entries will be accepted by the ABCRA on Mondays before 12 PM AEST.

Late fees apply for all entries lodged after the event closing date and time.

A Late entry fee will be charged per competitor per rodeo.

The Late Entry Fee must be paid before any further entries will be accepted.

(The above entry rules apply to all members ie full members, junior members, and event members.)

Turnout Rules

RRG.9. Turnout Fee

A competitor will be charged a turnout fee and entry fee should they turnout a head of stock without a valid excuse. The fee must be paid to the ABCRA before a competitor resumes competition. A member turning out a head of stock forfeits his nomination. Turnout fee may be imposed by Event Director and/or Judge and serviced through the ABCRA office.

1. Cancel Out fees

- a) Cancel Outs notified before 12 pm AEST Monday; will not incur any fees for all events.
- b) Cancel Outs notified by members after 12 pm AEST Mondays will forfeit their entry fees. This applies to all events.
 - Before chute and stock draw - entry fee (excluding added money).
 - After chute and stock draw - entry fee (including added money).

2. Medical Turn Out

- a) If a competitor notifies the rodeo Secretary and produces a medical certificate or presents with a visual injury on the day of the rodeo, only the Administration fee and stock levy will be paid. Added money will be deducted from the prize pool.

A competitor's entry will not be accepted for a period of ten (10) days from Monday following the rodeo concerned. Except where a competitor medicals out before the stock draw, in this case, the non-competing period shall be determined by the medical certificate period.

A competitor can only turn out on a medical certificate three times in a period of twelve months. No medical certificate will be accepted if altered in any way.

- b) If a member puts entries in for another member then he/she shall be responsible for the turn out fees incurred

in the case of authority being denied in writing by that member.

- c) Barrel Race Vet out- A veterinary certificate must be produced detailing the horses injury. A 10 day non-competing period on the horse will be applied as a minimum and extended time will be subject to veterinary advice. Veterinary certificate to give a full description of the horse.
- d) For any serious medically treated injury or illness advised by the person to or known by the ABCRA the competitor will be required to provide a medical clearance to be eligible to compete.
- e) The attending medical officer will have the power to determine whether a rider's injury is genuine, the rider is responsible to notify the next rodeo of their injury to avoid the injured riders entry fee being added to the prizemoney thus avoiding a turn out fee being imposed on an injured rider.
- f) A junior competitor that does not notify head office by 4pm on the last working day prior to the rodeo that they are unable to attend they will be charged an entry fee and a turn out fine. If a junior competitor does notify by 4.00pm on the last working day prior to the rodeo, the competitor will be charged a stock levy and an administration fee.

RODEO GENERAL RULES

G.1. Year End Rodeo Awards

In the case of an approved points rodeo, the points will be allotted as one point per dollar won for individual events.

All round and Junior events points for rodeo events will be based on 5 points for 1st, 4 points for second, 3 points for third, 2 points for fourth, 1 point for fifth.

The qualifying period shall be from 1 December to November 30 of the following year unless otherwise determined, plus points gained at the National Finals for that particular year.

Contractors may be fined for supplying unsuitable stock.

G.2. Novice Rule/Breaking Novice Status **SEPT 20**

1. A novice competitor is eligible to compete in open competition until such time as novice and open monies won and recorded have reached \$4500.00 after they turn 18 years of age. To enter an open bull ride competitors must be 18 years of age and have won \$1000 in novice bull ride events after they turn 18 years of age.
2. To enter a Novice Bull ride all competitors must be 16 years of age.
3. All novice and junior rough stock competitors must wear protective equipment such as a helmet and vest.
4. ALL Novice and Junior competitors in Steer Riding and Bull Riding events must wear a fully enclosed (cage fronted) helmet.
 - Only monies won at ABCRA affiliated rodeos count towards breaking Novice status.
 - A rodeo competitor joining the ABCRA commences with the status attained in other Associations.
 - Novice money won is accumulated for the lifetime of the member.
 - Junior competitors may continue to compete in Novice events until they either turn 18 years of age or win an Open event.

G.3. Rookie Rule

16 OCT 2018

- A Rookie is a competitor who has open lifetime earnings (not including Novice) not exceeding \$4,500.00 (inclusive of any National Finals earnings) at the commencement of a point's year
- Once accepted as a Rookie only monies won in Open competition will count towards a Rookie title.
Note: In Bull Riding, competitors must have achieved a minimum of \$1000.00 in life time earnings to be eligible to compete in Open events.
- A competitor may continue to nominate as a Rookie for an individual event until they achieve open earnings of \$4,500.00.
- To be eligible to compete for a Rookie Title, competitors nominate for rookie when renewing membership
- The year in which a competitor achieves open earnings who exceeded \$4,500.00 in an event ceases to be eligible to nominate as a Rookie in that event.
- To be eligible for an All Round Rookie Title, the competitor must nominate when renewing membership and gain points in two or more events in that points year. The All Round Rookie title will be awarded to the highest aggregate point earner (inclusive of any National Finals earnings).
If there are no competitors nominated for the All Round Rookie title with money earnings in two or more events, the All Round Rookie title will be awarded to the competitor with the highest earnings in an individual event.
- If a competitor wins an All Round Rookie title, they cease to be eligible for any other Event Rookie Title in future years.
- If a competitor has broken their Rookie status in any individual event, they are not eligible to nominate for an All Round Rookie Title.
- A competitor can only win one Rookie title per event.
- Winning a Zone Rookie, Event or All Round title does not disqualify the competitor from eligibility for a National Event or All Round Rookie title.
- Any competitor breaking into open status under previous ABCRA Rookie Rules is not eligible to nominate under the new ABCRA Rookie rule.

Members coming from other Associations:

- A rodeo competitor joining the ABCRA is required to declare their status with any other Association and commences with the status attained in **ANY** other Association.

AUSTRALIAN RODEO FEDERATION COMMON RULE BOOK

OPEN EVENTS

| | |
|-------------------------------------|------------|
| ROUGH STOCK COMMON RULES..... | SECTION 1 |
| OPEN BAREBACK BRONC RIDE..... | SECTION 2 |
| OPEN BULL RIDE..... | SECTION 3 |
| OPEN SADDLE BRONC RIDE..... | SECTION 4 |
| OPEN LADIES BARREL RACE..... | SECTION 5 |
| TIMED EVENTS COMMON RULES..... | SECTION 6 |
| OPEN LADIES BREAKAWAY ROPING..... | SECTION 7 |
| OPEN ROPE & TIE..... | SECTION 8 |
| OPEN LADIES STEER UNDECORATING..... | SECTION 9 |
| OPEN STEER WRESTLING..... | SECTION 10 |
| OPEN TEAM ROPING..... | SECTION 11 |
| JUNIOR EVENTS | |
| UNDER 14 YEARS BAREBACK RIDE..... | SECTION 12 |

SECTION 1 COMMON RULES

ARF Rough Stock Common Rules

- 1.01** There must be at least two (2) judges officiating for these events.
- 1.02** This is a one hand, eight second contest.
- 1.03** The stock must be ridden full time to score. The stock must be flanked and ridden from the chutes.
- 1.04** When the competitor is ready to take the animal out he will instruct the gatemen to open the gate. Time commences when the stock leaves the chute.
- 1.05** After three honest attempts to get out on a head of stock, the competitor can turnout the head of stock with the consent of the judges and take another head of stock.
- 1.06** In all rough stock events it shall be illegal to throw any objects at the stock to encourage them to buck.
- 1.07** Stock known to or repeatedly chute fighting and refusing to allow the competitor to take them out can be barred from future rodeos. Joint disqualification must be made by the judges.
- 1.08** Dry rosin, saddle soap and benzoin may be used on the riding equipment. No other foreign substance is allowed.
- 1.09** Broken private equipment or slipped equipment will not entitle a competitor to a re-ride.
- 1.10** All re-rides must be taken until a ride meets the judges' satisfaction or a score is requested by the competitor. A competitor can request a score if he is given a re ride.
- 1.11** If a competitor "scratches out" after the completion of the draw or a head of stock is turned out, then that stock becomes the first re-ride stock.
- 1.12** If a head of stock falls or falls off all four feet and regains its feet; providing the competitor has not fouled, the competitor must be given the option of a re-ride or a score.
- 1.13** When a competitor is fouled in the chute, at the gate, or where stock falls, he may take a re ride on the same head of stock, or as the judges see fit.

1.14 If a head of stock is re-rode because of stock performance and that stock is drawn again in another section at that rodeo, any competitor who has drawn that stock can refuse that head of stock.

1.15 RE-RIDES

A competitor may be awarded a re-ride for any of the following:

- a. the animal refuses to leave the chute,
- b. the animal falls from the chute,
- c. the animal falls off all four legs, or if the head of stock falls and, in the judges' opinion, there is a possibility of injury to the competitor and he grabs down,
- d. the animal escapes from the arena within the competition time,
- e. the competitor is fouled on the chute or the gate and claims the foul,
- f. the animal does not buck to the judges satisfaction and the competitor rides full time and qualifies,
- g. the flank breaks or falls from the contest animal during the contest, the competitor must be given the option of a re-ride or a score.

1.16 DISQUALIFICATIONS

A competitor will be disqualified for any of the following:

- a. violation of any Federal Government, State Government or rodeo association animal welfare rule or regulation or ill-treating the head of stock,
- b. having sharp or cutting objects in any equipment,
- c. injuring a head of stock due to excessive use of spurs,
- d. riding with non-approved spurs or rowels,
- e. being under the influence of alcohol or drugs,
- f. deliberately touching any part of the body, animal or equipment (or arena) with the free hand, and/or a slap down or not marking out,
- g. being bucked off,
- i. violations of a governing rule or rules,
- k. undue delay in the chute or after being warned by the chute boss,
- l. failing to contest on suitable stock drawn for the contest,
- m. cheating with a draw,
- n. having equipment that is adjusted to the extent that the livestock's bucking ability is restricted.

ABCRA Rough Stock Common Rules

RRS.1. Stock Escaping Any stock that jumps out of an arena and/or yard complex will not be allowed at another event, unless the contractor can show just cause.

RRS.2. Insufficient stock

When Open and Novice Rough Riding events are on the one program and there is insufficient stock, it is recommended that novice riders be restricted to Novice events. The committee may stipulate cross entries subject to the availability of stock.

RRS.3. Substitute Stock

If drawn stock are not available at rodeo or have been injured, substitute stock may be provided. In the event of a substitution, the substitute animal must be added to the re-ride pen (including any notified turn out animals) and then the draw will

be taken as substitute animal first and other animals then in the order of the re-ride.

RRS.4. Fresh Re-Ride Stock

That one extra fresh horse must be provided for more than the first ten and not more than 20 entries and then one extra horse for each ten entries beyond the initial 20 entries. This will relate to all bareback and saddle bronc events. Where possible, for each ten head of stock, or multiples of ten thereafter a fresh re-ride horse should be provided by the contractor.

RRS.5. Withdrawn Stock

Any rough stock withdrawn from a rodeo event because of injury or sickness will not be allowed to enter in a draw for a minimum period of ten (10) days.

RRS.6. Turnout Stock

After three honest attempts to get out on stock, rider can turnout with the consent of the Judge and take another head of stock.

RRS.7. Flank Person If a competitor is in that event pulling flanks the contestant has the right to have the contractor appoint another flank man.

RRS.8. Head Collars

Head collars may be used on Open Bareback.

Head collars must be used on Novice bareback and in Juvenile bareback events.

RRS.9. Unsaddling and Stripping Chutes

Committees must supply suitable unsaddling chutes and team roping stripping chute.

RRS.11. Turned Out Stock

That if a head of stock is turned out through misconduct the stock is excluded from competition for the duration of that rodeo. The decision to be made by the judges.

RRS.10. National Stock Awards

For a head of stock to be eligible for a National Stock Award that head of stock must be used at a minimum of 5 ABCRA affiliated rodeos throughout the applicable season.

RRS.11. Injured Stock

If any stock is injured in competition, the judge must stop the ride or run and a re-ride or re-run may be given at the judge's discretion.

General

RRG.1. Point System

That for every dollar won there will be one point given. For a committee to be under this system they must be point status. The all round points and the junior events system being 5, 4, 3, 2, 1. To be eligible for all round competition contestants must gain points in two or more events and must be gained at a full event rodeo.

Junior all round points can only be accumulated from the 7 national junior points award events. Rodeo must hold all 7 events to be eligible for junior all round.

RRG.2. Contestant Called

Contestant will be disqualified for not being ready to contest when their name is called. Contestant will be called three times by arena director/chute boss. If they do not present themselves, they will be disqualified. Turn out fine will be applied.

RRG.3. Arena Dress

Any person entering the arena must wear long sleeved, buttoned, collared shirts (sleeves rolled down), hats to be full brimmed felt or straw, boots and long trousers at all times. They must be neat and presentable. Bull and Bareback riders are permitted to have sleeve rolled up on riding arm. Any competitor in breach of the dress code will be disqualified and or fined at the judge's discretion.

PROTECTION CLOWNS Must wear long sleeved shirt, hats are to be full brimmed felt or straw, or safety helmet and appropriate footwear.

RRG.4. Stock Draws

All stock for Saddle Bronc, Bareback and Bull Ride are to be numbered and a draw made prior to the commencement of the rodeo by central entries if used by committee.

When judges or chute boss are making stock draws for time events, contractors and contestants, excluding Event Directors, must not officiate at stock draws.

A minimum of 3 re ride stock to be drawn per event, these to be displayed on the draw. Stock contractors are entitled to exclude 60% of their stock from re-ride stock. Turned out stock before drawn re-ride stock will become re-ride stock in order of stock turned out on the draw. Further turned out stock will follow in order of stock turned out.

If further stock required a stock draw is to be made in front of the chutes by an official, Director or Judge.

At National Finals or at rodeos that hold more than one go-round the draw is to be adhered to.

If after three alterations are made, a new stock draw must be made. New draw to be made by the judges.

RRG.5. Rodeo Round Preference

Rodeo committees will have precedence with their 60% preference for the second performance. After this or if Committees do not take up their 60% preference then Competitors shall have the right to ask for three (3) preferences (this is not cumulative) for the main in any one points year, except where there are more than two draws being conducted at the time. They may ask for a first round preference at any time if numbers permit.

Competitors can run earlier than drawn in program only if they are attending another equine or rodeo event. Barrel racers may only compete earlier than drawn if they run once a junior or novice event has been conducted. Approval is required from the Committee and official personnel for a competitor to be run up early. **17 DEC 2019**

RRG.6. Multiple Head Contest

No competitor may compete more than once on the same head of stock.

RRG.7. Re-Rides

Contestant who draws a beast, which fails to buck, is entitled to a re-ride, but must qualify on head of stock before re-ride is awarded. When a contestant is fouled up at the chute or draws stock that fails to leave the chute, it is classed as a re-ride.

When an animal falls off all 4 feet the rider must claim the animal for a re-ride to be awarded or to carry on with ride to be scored.

If a competitor draws a second head of stock on being awarded a re-ride and re-ride stock are unavailable, the competitor is to

be given the chance to reclaim his nomination, less the current stock levy.

A contestant is entitled to as many re-rides until a qualified animal is supplied, unless the contestant requests a score. If the contestant is given the option of a re-ride or a score, the contestant is entitled to know the score he would receive.

When a contestant is fouled up in the chute, or at the gate, stock falls, he may take a re-ride if he requests on the same head of stock, as the judges see fit. (Refer also Bareback, Saddle Bronc and Bull Ride Contest Rules).

If a Saddle Bronc or Bareback contestant is fouled whilst clearing the chute he must indicate the foul by claiming re-ride within 3 jumps of leaving the chute.

A bull ride contestant shall be given a re-ride at the discretion of a judge. Reasons for possible re-ride include the following: if a bull stops or fouls the rider, or the performance of the bull is inferior. In the event that stock contractors equipment fails a competitor will only be given a re ride if competitor has made a qualified ride.

When a competitor is being offered the option of a re-ride, they should also be provided with the score of their first ride.

A contestant whose equipment breaks is not entitled to a re-ride.

Slipped gear will not entitle a rider to a re-ride, but if a flank breaks or comes off it should be classed as a re-ride provided the horse does not perform to the satisfaction of the Judges and the competitor makes a qualified ride, unless rider requests a score.

The stock contractor has the right to decide how many times a head of stock can be run but must comply with the Code of Practice.

RRG.8. Competitor Delay

If a competitor fails to take their stock out 20 seconds after the 'all clear' is signalled they will be penalised 5 points for rough stock events or 5 seconds in time events. Providing it is not the fault of the stock.

RRG.9. Turnout Fee

A competitor will be charged a turnout fee and entry fee should they turnout a head of stock without a valid excuse. The fee must be paid to Central Entry before a competitor resumes competition. A member turning out a head of stock forfeits his nomination. Turnout fee may be imposed by Event Director and/or Judge and serviced through Central Entry.

RRG.10. Electronic Stock Prods Refer to AWC 4.4.

Only one (1) prodder to be used on any bull or horse, as designated in the Code of Practice. (Refer Prevention of Cruelty to Animals Act Reg. 3.11). Standard electric prods shall be used as little as possible and may be powered by battery or dynamo only. Prods must be in accordance with the regulations under the Prevention of Cruelty to Animals Act and must not be used inside the arena.

Cattle may only be prodded in the shoulder or rump. A prod may only be used instantaneously on the shoulder of a bucking horse to clear it from the chute on opening of the gate, and may be used only by the contractor or his nominee. When non-contract bucking horses are used only a person authorised by the chute boss may use the prod.

RRG.11. Spurs

Spurs to have free running rowels, except in Bull Ride where semi locked rowels are permitted; sharp spurs will not be allowed.

Rowels to be a minimum of 4 mm thickness with blunt points.

RRG.12. Non Stock Drawn Events

Non stock drawn events must be run as per draw order **OCT 19**

SECTION 2 BAREBACK

ARF Open Bareback Bronc Ride

EVENT DESCRIPTION

The contest horse will have an approved bareback rigging and halter, if required, fitted and properly adjusted within the confines of the bucking chute. The competitor will signal for the chute gate to be opened and the horse will enter the arena. The competitor must ride the horse for eight (8) seconds to make a qualified ride and receive a score.

2.01 Equipment

The width of the bareback rigging at the handhold must not exceed 25.4cm. (10 inches) The 'D' ring width must not exceed 15.24cm (6 inches)). The pads used under the rigging must be leather covered on both sides. If hair felt pads are used, they must be at least 1.9cm (3/4 inches) thick. If rubber or equivalent density material is used they must be 2.5cm (1 inch) thick.

All bareback riggings are to be fitted with approved pads. The girth is to be a minimum of 12.5cm (5 inches) in width and may be fitted with two latigos. If two latigos are used, one should be tied as per the event director's instructions. Latigos must be made of leather only.

No fibreglass or metal will be allowed in the riggings or in the handholds. Only leather or rawhide is allowed for the handhold, with a maximum of 3/4 inch of rawhide allowed. Flat-head rivets and/or screws and "t" nuts are allowed to secure handhold. The only other metal allowed will be the "D" rings.

Competitors must wear approved bareback riding spurs. The rowels must be blunt and free rolling.

All horses are to be flanked with an approved flank. The flanks must be lined with wool or an approved lining and be of a quick release type. The lining must reach from one flank of the horse under the belly to the other flank of the horse.

General

2.02 To qualify, a competitor must have his spurs in or past the break of the shoulder and touching the horse with the rowels when the horses' front feet touch the ground on the initial move out of the chute. This is called a "mark out". A judge may waive the "mark out" and call the competitor to "kick back" if the horse stalls in the chute.

2.03 Finger tucks are not allowed.

2.04 The competitor must make a deliberate attempt to assist the horse to buck, whether the stock breaks stride or not, to qualify for a re-ride.

2.05 Re-Rides

A competitor may be awarded a re-ride for any of the following:

a. if the competitor or his stock is fouled by the pick-up man.

ABCRA Bareback Rules

1) Time to start when horse's inside shoulder breaks the line of the chute. Points will be gained for spurring and the

amount of drag (spur rowels in contact with the horse) in or in front of the break of the neck in bareback

2) Tape and Rosin

There will be no tape or any other adhesive material or substance other than dry rosin used on riggings or rider's glove. Finger tucks are not allowed.

3) That the rigging be tighten no more than to allow the flattened hand to be inserted under the rigging and that the latigo is to have three (3) wraps only

SECTION 3 BULLRIDE

ARF Open Bull Ride

EVENT DESCRIPTION

The contest bull will have an approved bull riding rope fitted and properly adjusted within the confines of the bucking chute. The competitor will signal for the chute gate to be opened and the bull will enter the arena. The competitor must ride the bull for eight (8) seconds to make a qualified ride and receive a score.

3.01 Equipment

A bull riding rope with or without a hand hold. There must be no knots or hitches in the rope to prevent it from falling from the bull when the competitor leaves the animal.

Competitors must wear approved bull riding spurs and protective vest. Only approved Bull Ropes are to be used.

All bulls are to be flanked with a rope or leather flank with sheepskin or approved lining.

General

3.02 If a competitor makes a qualified ride with any part of the rope in the riding hand, he is to be scored.

3.03 Bulls do not have to be spurred for the competitor to be awarded a score.

3.04 The competitor shall not be allowed to set and pull his rope more than two (2) times if the bull is standing well in the chute.

3.05 There must be two (2) approved bull protection clowns in the arena at all times.

3.06 The arena must be cleared of all loose stock if requested by the competitor or the contractor or in accordance with any Federal Government or State Government legislation.

3.07 The bulls' horns are to be tipped to approximately 3cm, (ie. 50c piece). If the bulls' horns cannot be tipped to approximately 3 cm due to horn size or lack of maturity, then the horn is to be tipped to a blunt end being approximately half the diameter of the butt of the horn. Untipped stock will be excluded from the draw.

3.08 DISQUALIFICATIONS

A competitor will be disqualified for any of the following:

a. losing the hold on the rope,

b. Touching any part of the bull with the free hand.

ABCRA Bull Riding Rules

RRSR.3. Bull Ride Rules

1) To enter an open bull ride competitor must be 18 years of age and have won \$1000 in novice bull riding events. **1 Dec 2017**

- 2) Time to start when animals inside shoulder breaks the line of the chute.
- 3) The bull rider may be assisted by only two other cowboys to pull his rope.
- 4) If a bull ride contestant is fouled whilst clearing the chute he must appeal either during or immediately after the ride to a judge to claim a foul.

SECTION 4 SADDLE BRONC

ARF Open Saddle Bronc Ride

EVENT DESCRIPTION

The contest horse will have an approved saddle and halter with a bucking rein fitted and properly adjusted within the confines of the bucking chute. The competitor will signal for the chute gate to be opened and the horse will enter the arena. The competitor must ride the horse for eight (8) seconds to make a qualified ride and receive a score.

4.01 Equipment

Private saddles and the head collar must be fully mounted. All saddles may be used in a contest if they are of the approved type and specifications. The saddle must be built on standard tree.

rigging: 3/4 (three quarter) double front edge. The front edge of the 'D' ring must pull from no further than directly below the centre of point of swell. A standard E Z or ring type saddle 'D' must be used and cannot exceed 145mm outside width measurement.

Swell undercut: not more than 5cm, 2.5cm on each side.

Gullet: Not less than 10.16cm (4 inches) wide at the centre of fork of covered saddle.

Specifications: Fork, 35.56cm(14inches)wide; height, 22.86cm(9 inches) maximum; gullet 14.6 cm (5.75 inches) wide; cantle, 12.7cm (5 inches) maximum height, 35.56cm (14 inches) maximum width stirrup leathers must be hung over bars.

Front cinch: The centre of the front cinch must be a minimum of 150mm wide at the middle and may be fitted with two latigos. If two latigos are used, one should be tied as per the event director's instructions. Latigos must be made of leather only.

A plain head collar with a braided single rope bucking rein is to be used, and must not be more than 2 meters in length.

It is legal to bind stirrup leathers at the knee on private saddles, stirrup leathers to be not wider than 7.6cm (3 inches), not including the fenders.

Competitors must wear approved saddle bronc riding spurs. The rowels must be blunt and free rolling.

All horses are to be flanked with an approved flank. The flanks must be lined with wool or an approved lining and be of a quick release type and the lining must reach from one flank of the horse under the belly to the other flank of the horse.

General

4.02 To qualify, a competitor must have his spurs in or past the break of the shoulder and touching the horse with the rowels when the horses' front feet touch the ground on the initial move out of the chute. This is called a "mark out". A judge may waive the "mark out" and call the competitor to "kick back" if the horse stalls in the chute.

4.03 A stock contractor, chute boss or the saddle bronc riding director, shall have the right to call on the judge/s to adjudicate on whether the back cinch is over tight on the contest saddle or if a saddle is incorrectly fitted on the horse or set to far ahead of the wither. The decision of the judge/s is final.

4.04 There must be a four (4) inch clearance under the gullet of saddle.

4.05 The competitor must make a deliberate attempt to assist the horse to buck whether the stock breaks stride or not to qualify for a re-ride.

4.06 If a competitor restrains the head carriage or the head movement of a horse during the competition he will not be entitled to a re-ride.

4.07 Re-Rides

A competitor may be awarded a re-ride for any of the following:

- a. if the competitor or his stock is fouled by the pick-up man.

4.08 Disqualifications

A competitor will be disqualified for any of the following:

- a. losing an oxbow,
- b. having the bucking rein on the opposite side of the horses neck to the hand in which it is held,
- c. losing his hold on the bucking rein,
- d. wrapping the rein around the hand,
- e. not showing daylight between the riding hand and the pommel of the saddle when leaving the chute.

ABCRA Saddle Bronc Rules

RRSR.2 Saddle Bronc Rules

- 1) Time to start when horse's inside shoulder breaks the line of the chute. Points will be gained for spurring and the amount of drag (spur rowels in contact with the horse) in or in front of the break of the neck to cantle in saddle bronc.

SECTION 5 LADIES BARREL RACE

ARF Open Ladies Barrel Race

EVENT DESCRIPTION

The course is a measured and pre-marked in a clover leaf pattern consisting of three barrels with an additional start/finish line where the official time keepers are stationed. A competitor may go either to the right or left on the first barrel, but must make one right turn and two left turns or one left turn and two right turns. Competitors will be assessed with a five second penalty for each barrel they knock over. The fastest recorded time will win the event.

5.01 There must be a minimum of two (2) judges.

In open competition, this is a ladies event only. In junior competition, either male or female competitors may compete.

When a junior and a senior event are listed on the same program, a junior may compete in both as long as both memberships have been paid (**does not apply to ABCRA**) and points won are recorded separately.

Competitors must be able to ride unassisted in the Junior or Open Barrel Races.

5.02 A competitor must start and finish inside the arena. The time event box is part of the arena except when a controlled, manned, and approved start/finish alley is provided.

5.03 A competitor may go either to the right or left on the first barrel, but must make one right turn and two left turns or one left turn and two right turns.

5.04 One revolution (one roll back, tail turn) is permitted to start a pattern.

5.05 The start and finishing pegs must be in line with, and parallel to, the first and second barrels

5.06 The entire barrel course, including the starting and finishing line, must be permanently marked until the completion of the entire barrel race.

5.07 Barrels

a. The barrels must be 200 litre metal drums **with both ends enclosed** and be brightly coloured. Each barrel must be at least five metres from the nearest fence.

b. When setting barrels on a marker, the centre of barrel should be positioned over the marker.

5.08 Course

a. If the marker is lost and a tape measure is used to set up the barrel, then that is sufficient to mark the course, and no rerun will be allowed.

b. Where a full sized course can be fitted in the arena it must be marked, but cannot exceed maximum measurements.

c. The course must be set to the size appropriate to the arena conditions. This will be decided by the Barrel Racing Administrator, Director or Judge.

5.09 Electric Timer

a. When an electric timer is used in the Ladies and Junior Barrel Races, the 5 digits are to be written down on the judges' sheet by the timekeepers/judges eg. 17.312 (to the third decimal place) not 17.31.

b. Where an electronic timer is used, two manual watches must also be used and the three times must be recorded. If the electronic timer fails four (4) or more times the entire contest will revert to the manual times.

5.10 Manual Watches

a. Two (2) watches must be used. The times should be recorded to the second decimal point (to the hundredth of a second). The average time from the two watches will be the official judges' time. Time commences as the horse's nose passes the start line and time finishes when the horse's nose passes the finish line.

b. If one watch fails, and if the competitor is in the first five places with the recorded time, then that competitor should have the option of a rerun, but only if a clear run is recorded.

c. If there is .5 of one second or more difference between the watches, and the fastest watch places the competitor in the top five places the competitor has the option of a re-run, but only if a clear run is recorded.

5.11 Whips

Once entering the arena/alleyway/box, two (2) contacts or whips with an under and over action are allowed going to the first barrel, two (2) contacts or whips between the barrels and four (4) contacts or whips coming home are allowed. Exceeding any of these limits will be classed as "excessive" and will result in disqualification. This will be ruled on by a judge

Barrel racing whips are to be no longer than 75cm in overall length including the flap. The leather flap is to be at least 50mm long and 18mm wide.

5.12 Horses

There is no restriction to the number of horses a competitor can ride throughout the season in the Ladies Barrel Race and the Junior Barrel Race. A competitor may ride a different horse at each round of the year end finals and still be eligible for placing in the average. A horse can only have one run in an event (Ladies or Junior), however the horse may be run in both the Ladies Barrel Race and the Junior Barrel Race.

5.13 Warmup

a. There will be no setting up of the drums in the arena on the day of the rodeo during any warmup. There will be no circling around the markers once the course is marked.

Any competitor abusing this privilege may be removed from the arena by committee, director and/or stock contractor. Further disciplinary action may be taken.

b. Once the barrels are set up in the arena, no competitor can ride in the arena until the chute boss calls them for their run.

5.14 Competitors will be assessed with a FIVE second penalty for each barrel they knock over.

5.16 Any competitor not taking their run will receive a turn out penalty.

5.17 If a competitor desires to withdraw for any reason, eg: presenting a veterinary certificate, the decision will be left to the discretion of the judges if a turn out penalty is to be imposed.

5.18 Barrel Race competitors may cancel out of a rodeo with a Veterinary Certificate should the horse be injured. The Veterinary Certificate must be received at the Head Office of the affiliating association within five (5) working days following the rodeo.

5.19 If the competitors' equipment fails during the run, and restricts the competitor from completing her run, no re-run will be awarded.

5.20 If the competitor is able to complete the run with broken equipment, then her time will be recorded.

5.21 If a barrel is knocked over and stands up again on its opposite end, a five second penalty will apply.

5.22 Split rounds may be used provided the course has been pre-marked with pegs, and a diagram showing the exact barrel course measurements is available (e.g. in case a peg has been pulled out during harrowing). This diagram shall also be posted or made available for competitors, when split rounds are used.

5.23 All hats are to be cleared from the arena before the next run is commenced.

The timekeepers must inspect each other's stopwatch to validate the time.

5.24 Trade outs will only be deemed available if justified by both judges. The signatures of both judges must be on judges' sheets.

5.25 The previous competitor must leave the arena before the next competitor enters.

5.26 There must, without exception, be only one competitor horse in the arena at any time during the barrel race.

5.27 Officials shall take all due care to ensure the arena gate is closed after the competitor enters the arena to take her run. The gate shall remain closed until the competitor has finished her run and is ready to leave. It is the Arena Directors

responsibility to ensure that the gate is closed. In the event of a controlled, manned, and approved start finish alley, competitors may have a running start.

5.28 Touching a barrel with the hand to prevent it from falling is permitted as long as the top rim of the drum has not hit the ground. The barrel must be reset on the correct marker before the next competitor enters the arena.

5.29 Any member of an association who does not follow the above rules is liable to a fine or a suspension or both.

5.30 Record Attempt

To record an official record, measurements, rules, equipment etc. must be checked and confirmed to be in order by both judges.

5.31 Disqualifications

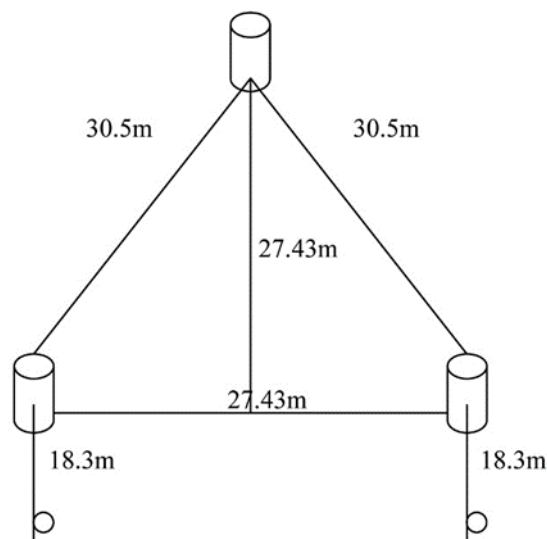
A competitor will be disqualified for any of the following:

- a. violation of any Federal Government, State Government or rodeo association animal welfare rule or regulation or ill-treating the contest horse,
 - b. not following an approved pattern or course,
 - c. the competitor not having total control of the horse,
 - d. not entering the arena as per association ruling,
 - e. being in the arena on horseback after the barrel course has been marked and set,
- Once barrels are in the arena for the contest no horses are allowed in the arena. Competitors who go onto the course or circle around the determined course after the course has been pegged and set shall be immediately disqualified and no refund of entry fee will be given.
- f. if a horse refuses to enter the arena after three (3) attempts,
 - g. crossing the finish line without completing the correct course,
 - h. not being ready when their name is called,
 - i. starting from outside the competition area,
 - j. turning down a run. They will also be disqualified for the remainder of that event.

ABCRA Ladies Barrel Race

RRTE.6. Ladies Barrel Race

- 1) Competitors must be 16 years and over. Refer to ARF 5.01
- 2) Distance from first and second drums to third drum added to make measuring and arcing to third drum easier, compared with the previous approved plan. Distances are unchanged.
- 3) Full course or reduced course -barrels must be at least five metres from the fence.
- 4) Barrel distances are as shown on the sketch.



5) Marking barrel course and setting timers –

Ladies Barrel Race: The last two full financial members in the draw must assist with marking and setting course. First two full financial members in the draw must assist with taking pulling down.

Junior Barrel Race: The last two full financial members in the Juvenile draw must assist with marking and setting course. First two full financial members in the Juvenile draw must assist with putting away timers.

- 6) Person measuring and marking the barrel position must give a copy of the measurements to the Rodeo Secretary or Judges.
- 7) Course must be measured and marked to be points award
- 8) Novice Horse status

A horse remains a novice barrel racing horse until it wins either 4 novice barrel races or 4 junior/juvenile barrel races conducted within a recognised age group event or a combination of 4 of these events. Or further, upon winning an open/ladies barrel race at any rodeo or campdraft conducted by a recognised Rodeo Association the horse shall break open status. Once a horse wins four (4) novice barrel races or 1 open/ladies barrel race, the status of the horse changes to open.

A Novice Barrel Race shall only be so recognised when it is run as part of an ABCRA Event by means of the event being part of the Rodeo Order of events with entries managed through Central Entry. The Novice Barrel Race can be run as a jackpot. Results of these barrel races to be sent to Head Office.

SECTION 6 COMMON RULES

ARF Timed Event Common Rules

6.01 There must be a flag judge mounted on horseback, two (2) time keepers and a barrier judge for the timed events.

6.02 The Ladies Breakaway Roping, the Rope & Tie, the Steer Wrestling and the Team Roping events will have a maximum thirty (30) second competition time limit. Time penalties are not included in this time limit.

The Ladies Steer Un-decorating will have a maximum fifteen (15) second competition time limit. Time penalties are not included in this time limit.

6.03 The Barrier

a. A barrier must be used in all points rodeos. There are three types of barriers:

i. Electronic Barrier

ii. Rope Barrier – with a contest animal neck rope

All rope barriers must have a ring attached. The ring will then be attached with a steel pin.

iii. Manual Barrier

b. The barrier must release before the competitor can contest on the head of stock.

c. A flag is to be set in the centre of the barrier or on the ring. Time will commence when the flag withdraws and time will finish when the flag judge signals.

d. The competitor must start the contest from behind the barrier. A heeler or a hazer must start from behind a line where a barrier would normally be positioned on the opposite side of the timed event box.

e. All barriers and neck ropes must be tied with string, approved zip ties or approved rubber rings. No metal snaps or hardware shall be used on neck ropes for cattle used in the timed event.

6.04 A broken barrier will incur a ten (10) second time penalty for the competitor.

6.05 In order for the recorded time to be considered official, the barrier must operate normally. If in the opinion of the barrier judge, the competitor obviously did not break the barrier and there is a barrier foul he shall be given a time if he goes on with the run and no penalty will be imposed for a barrier foul.

6.06 If in the opinion of the barrier judge the competitor clearly breaks the barrier and there is a barrier foul he will be given the recorded time plus ten (10) seconds.

6.07 If there is a barrier foul and a competitor does not attempt to run he will be given a re-run.

6.08 If in the opinion of the barrier judge, the competitor is fouled by the barrier, providing the competitor declares himself by pulling up and signalling. He will be awarded a rerun.

6.09 Commencement of Recorded Time in the Timed Events:

Time is deemed to be started by the competitor on their given signal, from which time the competitor accepts that the animal is sound, the arena conditions and the decision of the judge.

General

6.10 Winners and place getters will be determined by the average of both timekeepers' times.

6.11 All timed event boxes must be spring loaded with an automatic trip latch.

6.12 Any timed event competitor who is mistreating an animal will be disqualified and fined. In addition, if warranted, the flag judge may disqualify that competitor from that event for the remainder of the rodeo.

6.13 Competitors in the Rope and Tie event must utilize a neck rope on their horses.

6.14 In roping events, a dropped rope that must be recoiled to be rebuilt is considered a thrown rope.

6.15 Pushing out of stock, from the timed event chute in any timed event is permitted, one person assisting with the head of the animal. Tailing out of stock from outside the timed event chute is not permitted unless the timed event chute is too small

for a person to fit in with the stock. The tail of stock must not be used to clear or push out of the timed event chute.

6.16 Any competitor turning out stock will be liable to a fine subject to the discretion of the association.

6.17 Within the confines of the timed event box, it is the privilege of a competitor to dismiss someone from the box or have up to three (3) persons in the box for assistance. A competitor may instruct the judge to either remove any person from the box or allow other people in the box.

6.18 The arena must be cleared of all stock before the next competitor makes a run.

6.19 Horses may be led into the arena and into the timed event box and mounted there prior to competing.

Re-Runs

6.20 To claim a re-run a competitor must not attempt to compete on the head of stock.

6.21 The animal belongs to the competitor after they have nodded, with one exception: if the animal escapes from the arena, the flag judge must signal time and the time shall be recorded. The competitor will get the animal back lap and tap with the time added which was taken when the animal left the arena. If the first run was clear of the barrier no penalties apply. If there is a broken barrier, then the time penalty will apply. Lap and tap should start when the animal enters the arena from the timed event chute. If the steer escapes the arena and the clocks are not stopped or stopped incorrectly, re-run steer to be taken lap and tap with a penalty of 10 seconds and barrier penalty if occurred.

6.22 The barrier judge may award a re-run for mechanical failure/human error in the operation of the timed event chute gate. If the competitor claims their stock they may receive a re-run. If the competitor does not claim stock ie: if they continue to contest on that head of stock they will not receive a re-run.

6.23 The barrier will be reset for timing purposes at all times.

6.24 In the case of an error by the flag judge, they are to immediately signal the run off, and wave away and advise the barrier judge and timekeepers that the competitor is to be given a complete re-run. In the case of an error by the flag judge and in the opinion of the flag judge, if the flag could have cost the competitor a placing, a rerun may be awarded but all penalties incurred in the original run must be carried over.

6.25 If a roper fouls on any part of time event box, arena or own person with his rope it is his responsibility. There will be no re-run provided arena conditions are the same for everyone.

6.26 A competitor's broken or slipped gear does not constitute a re-run in any timed event.

6.27 When the gates are open the time event box is not part of the arena. If the gates are open and timed event stock enter this area it will be deemed to have left the arena and the clocks are to be stopped.

6.28 In the event of the stock stumbling or severely changing direction before the barrier breaks away, and in the opinion of the barrier judge, it makes it impossible for the competitor to qualify on that head of stock, the barrier judge may award the competitor a re-run.

6.29 Disqualifications

A competitor will be disqualified for any one of the following:

- a. violation of any Federal Government, State Government or rodeo association animal welfare rule or regulation or ill-treating the head of stock or the contest horse,
- b. whipping their horse with a rope, or excessive or hard use of the spurs, bits or rope,
- c. being under the influence of drugs prohibited by law or alcohol,
- d. contesting on the animal before its head crosses the barrier line,
- e. not having made the catch within the time limit allowed for the event,
- f. roping the animal without casting the loop from their hand,
- g. if a horse refuses to enter the arena or box on three (3) occasions or if a horse bursts out of the box on two (2) occasions,
- h. cheating with the draw, the stock or the position draw of stock in the chute,
- i failing to answer by the third call of the chute boss or the arena director,
- j. violation of any governing rule or rules,
- k. undue delay in the time box or on the grounds after being warned by the chute boss.

ABCRA Timed Event Rules

- 1) Promoting Committee/ contractor will furnish suitable stock, which will weigh between the maximum and minimum weight ranges as prescribed by the relevant State or Federal Legislation for roping, breakaway roping, steer wrestling, team roping and steer undecorating. Weights to be at time of use. Stock must be strong and healthy.
- 2) a. In the interests of animal welfare an open catch pen is required for all roping events. A maximum competition time of 30 seconds applies. Once an animal enters the catch pen the run is terminated caught or not **DEC 19**
 b. It is recommended before rodeo starts all stock be run through box in order to familiarise stock with arena if possible.
- 3) A .5 second difference in clocks will entitle the contestant the option of a re-run in all time events if fastest clock time is in the placings. Re run to be taken on the first available stock.
- 4) Barriers must be used at all rodeos with a minimum height of 800 mm and maximum height of 900 mm with visible flag attached to barrier rope with the exception of an approved electronic device. The Judge/s, Event Director, Stock Contractor/s and Committee member will set the length of the barrier and anyone adjusting the barrier apart from these persons in consultation will be disqualified and will be fined.
- 5) All barriers must be measured prior to each section in each timed event. No metal clips or hardware to be used on neck ropes of barrier.
- 6) It is recommended; minimum box length 4.8 metres. Minimum box width 2.4 metres.
- 7) All timed event stock to be numbered, and drawn for by judge and/or chute boss before the contest begins. All re-run stock to be drawn and posted on draw sheet,

except when contest runs more than one day stock will be drawn for on the day of use. Carry over stock in all timed events to be drawn first in next round.

- 8) Ring must fall within 1m radius of the pin to be a broken barrier.
- 9) Competitors must abide by the judges' decision.
- 10) Length of barrier tail not to exceed 250mm.
- 11) If a competitor receives a re-run, they shall take the drawn re-run stock, if the re-run stock has been drawn from the pen. If the re-run stock is not drawn from the pen, the competitor can choose between the re-run head of stock or they can get their original drawn head of stock back.
- 12) There shall be a twenty (20) second time limit on the rider after arena is cleared and stock is in the box with the barrier on. Barrier judge will notify contestant after the arena is cleared and if in the opinion of the barrier judge he takes too long in the box he will be given a five (5) second penalty.
- 13) Contractors may be fined for supplying unsuitable stock
- 14) Only one liner may be used at competitor's discretion unless agreed to by the Judge. The liner cannot stand out more than the length of the barrier.
- 15) Hazers may be either male or female and must be 18 years and over, properly attired and full financial members of the A.B.C.R.A.
- 16) The Judge is empowered to disqualify any competitor who in their opinion is not in control of their horse.
- 17) Measuring Tape
 All barrier judges must have a tape measure on hand when time events in progress. Tape to be left at time event chute.

SECTION 7 BREAKAWAY ROPING

ARF Open Ladies Breakaway Roping

EVENT DESCRIPTION

The competitor must rope the animal from horseback. Time will be given after the competitor has roped the animal, stopped the horse and the rope has broken away from the horn of the saddle. A ribbon must be attached to the tail of the rope to be legal.

7.01 There is only one (1) rope permitted and only one (1) cast of that rope.

7.02 The rope must be tied to the saddle horn with four (4) pieces of heavy duty string, or one piece of builders string line. A bright cloth with minimum dimensions of 15cm x15cm must be attached to the end (tail) of the rope (Folded ropes must be fully taped. NO coils are permitted.

7.03 In the Ladies Breakaway Roping, the rope must pass over the head and draw tight on the neck of the beast ie. clean neck catch.

7.04 If the honda passes over one horn and the loop over the other horn, the catch is illegal.

7.05 Stock used for roping events will not be used for breakaway roping events and stock used for breakaway roping events will not be used for roping events.

7.06 DISQUALIFICATIONS

A competitor will be disqualified for any of the following:

- a. the competitor not having total control of the horse,
- b. an illegal catch,
- c. breaking the rope from the saddle horn by hand,
- d. touching the rope or string after catch is completed.

ABCRA Ladies Breakaway Roping Rules

RRTE.8. Ladies Breakaway Roping (See also Roping, General Rules)

- 1) Competitors must be 16 years and over.
- 2) Use of Calves. Calves for roping events will not be used for breakaway roping events and calves used for breakaway roping events will not be used for roping events.
- 3) Stock less than 140 Kg with a horn length of 75mm or less - The rope must pass over the head and draw up as a clean catch around the neck, hump or brisket, no legs or figure of eight on the tail. The horn length on breakaway roping cattle to be measured from underneath the horn to the tip.
- 4) Where State or Federal Legislation requires stock over 140 kg if they have a horn length of more than 75mm - Can be roped around the neck, both horns, half head. Any other catch is illegal including a) if loop crosses itself in a head catch it is illegal. B) If hondo passes over one horn and the loop over the other, catch is illegal.

SECTION 8 ROPE AND TIE

ARF Rope and Tie

EVENT DESCRIPTION

An approved calf roping device must be used in all rope & tie events.

Such a device must be set at the manufacturers recommendations as a minimum standard which includes the use of ropes of a minimum thickness of 10.25 mm with a tail not less than 400 mm. The tail must be coloured red.

The competitor must rope the stock from horseback, dismount, throw the stock by hand, cross and tie any three legs and signal the flag judge that the tie is completed. The flag judge will then flag "time". The competitor must then remount the horse and move forward so that there is slack in the rope until the flag judge rules the tie to be legal.

8.01 The rope must hold the stock until the competitor has his hand on the stock.

8.02 If the animal is down when the roper reaches it, it must be stood up on at least three (3) feet and must be thrown by hand.

8.03 If the roper's hand is on the animal when it falls it will be considered thrown by the roper and he may tie the stock without standing it.

8.04 Untie men must not touch the stock until the judge passes the tie as fair.

8.05 There must be at least one wrap and hooley.

8.06 After the competitor has signalled the completion or his tie he cannot touch the tie. The run is not complete until the contestant has remounted their horse, walked the horse forward placing slack in the rope and the judge has signalled the tie has held to his/her satisfaction.

8.07 The tie must be released as soon as possible.

8.08 A competitor must not receive outside assistance of any kind, if the horse drags the stock, the judge may stop the horse, and the penalty for such offence can only be assessed by the flag judge.

8.09 A neck rope on a competitor's horse must be used in the Rope and Tie event. The placement of such a neck rope must be in the vicinity from the head to no more than halfway down the roping horse's neck. Neck rope, rope, reins and jerk line must be adjusted in a manner that will prevent the horse from dragging the stock. The jerk line must be set at a maximum of 1.5m shorter than the rope from the horn to the honda.

8.10 The Rope and Tie event is a one loop contest. One loop and one cast only is permitted.

8.11 If the rope catches on the barrier a competitor can be awarded a re-run.

8.12 Disqualifications

A competitor will be disqualified any of the following for:

- a. pulling the stock backwards in an abrupt manner causing it to land on its back with all four feet up in the air.
- b. touching the string after the finish signal.
- c. failure to use an approved roping device,
- d. failure of the cross legged tie to hold to judges' satisfaction.

ARF Rope and Tie Rules

RRTE.2. Roping

- 1) An Event Director, Members Representative Councillor or Board Director may reprimand and/or report the Judge if in the opinion of the above the calf has been stopped abruptly and the judge has not penalised the competitor.
- 2) The Judge may allow the rope to be released early if he is of the opinion that there is danger of injury to the calf.
- 3) Roper will be given a no time for making the horse drag the stock after he remounts. Intentionally dragging a calf, regardless of the distance, shall result in a fine plus disqualification
- 4) If horse drags the calf more than 3 metres from where calf is grounded or more than 2 metres from time of tying or as per State or Federal Legislation, roper will be disqualified. Measurement to be taken from where the rump of the calf was to where the rump of the calf finally lies.

SECTION 9 STEER UNDECORATING

ARF Open Ladies Steer Un-Decorating

EVENT DESCRIPTION

A ribbon is to be firmly fixed length wise along the steers' back at the point of shoulder or on top of the girth.

The competitor must draw alongside the animal, take hold of the ribbon with her free hand and remove the ribbon from the animal. Time will be given when the competitor raises the ribbon above her head.

9.01 There is only ONE (1) hazer permitted and they must be a financial member of the association. Event Membership entry competitors must use full member hazers, except for bona fide local entries.

9.02 The ribbon must be affixed immediately prior to the run. Any ribbon not detached from previous run is to be removed and a fresh ribbon affixed. No surcingle are to be used and all ribbons must be the same size. The ribbon must measure a minimum of 4cm wide x 30cm in length.

9.03 The competitor will un-decorate her steer from the same side as she leaves the box and cannot change sides during the run.

9.04 Time shall be taken when the competitor's hand is raised above the shoulder whether she has obtained the ribbon or not. The judge must check to see she has the ribbon and she must hold it for five (5) seconds after time is taken. No re-run will be allowed once the competitor's hand is raised above her shoulder. The ribbon must be returned to an official.

9.05 A re-run will be allowed if the ribbon falls off before time has elapsed or if the ribbon is pulled off by the barrier.

9.06 Wearing of approved helmets in Steer Un-decorating events is recommended.

9.07 The arena must be cleared of used stock after each run.

9.08 Disqualifications

A competitor will be disqualified for any of the following:

- a. receiving assistance from anyone other than the hazer,
- b. whipping the steer by the hazer,
- c. taking the ribbon from incorrect side of the contest animal,
- d. not being in control of her horse, in the judge's opinion.

ABCRA Ladies Steer Un-decorating

RRTE.7. Ladies Steer Un-decorating

- 1) Competitors must be 18 years and over.
- 2) Time given to un-decorate the Steer shall be 10 seconds excluding broken barrier penalty.

SECTION 10 STEER WRESTLING

ARF Open Steer Wrestling

EVENT DESCRIPTION

The stock must be caught from the horse, and if the stock gets loose after being caught, the competitor may take only ONE (1) step without being in contact with the steer to recapture it.

After catching the steer, the competitor must bring it to a stop or change the direction of the steer and wrestle it down by head or horns. The steer will be considered down when it is lying flat on the ground on its near side or back with all four legs (clear from underneath its' body) facing one direction and clear. Time is taken on the signal of the field judge's flag.

10.01 If a steer is accidentally knocked down or thrown before being brought to a stop or the direction of the steer changed, it must be let upon all four feet and wrestled down by head or horns.

10.02 If a steer is accidentally knocked down, or thrown by the wrestler by putting the animal's horn/horns into the ground, it must be let up on all four feet and then thrown.

10.03 The wrestler must have his hand on the steer when time is flagged. The judge will determine the fairness of catch and the throw.

10.04 The competitor is responsible for the supply of his own hazer and horses.

10.05 There is only one (1) hazer permitted and they must be a financial member of the association.

10.06 The hazer is allowed a maximum of four (4) contacts with a whip or any other aid. Any penalty incurred will apply to the hazer.

10.07 The hazer must not render any assistance to the competitor while the competitor is working with the steer. The competitor and the hazer must use the same two horses with which they leave chute.

10.08 The fairness of the catch and throw will be left to the flag judge and his decision shall be final.

10.09 The competitor must not receive any assistance after the run commences.

10.10 Disqualifications

A competitor will be disqualified for any of the following:

- a. whipping of the steer by the hazer.
- b. receiving assistance in any form by the hazer while competitor is wrestling the stock.
- c. a rolling throw will not count. A rolling throw is when a competitor fails to stop or change direction of the steer before throwing him.

ABCRA Steer Wrestling Rules

RRTE.1. Steer Wrestling

- 1) Contract Stock must be used for Steer Wrestling. The minimum size horns for Steer Wrestling cattle to be 15 cm (6 inches) and have a dull point.
- 2) After Completed Run Contestant is required to turn steer's head so it can stand up after time has been recorded.
- 3) Cattle used for steer wrestling cannot be used for any roping event at same event

SECTION 11 TEAM ROPING

ARF Open Team Roping

EVENT DESCRIPTION

All team roping cattle must be fitted with protective horn wraps, with ear protection.

The header must rope the stock and change the direction of it. The heeler can then cast his loop. The heeler must rope at least one (1) heel. The contest will be deemed to be completed when both horses are facing the steer with both front feet on the ground and with the ropes dallied and tight (slack taken up).

11.01 No roper can compete without payment of an entry fee. Where competitors are allowed to compete more than once, it must not be with the same partner. This will allow each competitor to compete twice, once on his nomination and once on another competitor's nomination. Each team is allowed two loops per team. Any team cannot compete in the same event twice except in multiple head contests.

11.02 The header must rope the stock and change the direction of it before the heeler throws the rope however, if the steer stops it must only be moving forward for the heel loop to be thrown. Any heel loop thrown in the switch will be considered a cross fire and no time will be recorded.

11.03 If the heeler ropes the front foot or feet in the heel loop this is considered a foul catch. Neither competitor may remove a foot from the loop by hand. However, should the front foot or feet come out of the loop by the time the flag judge signals time, the time will be declared a legal time.

11.04 Any heel catch behind the shoulders is legal providing the rope goes up the heels.

11.05 Time will be flagged when steer is roped and at least one (1) heel is in the heeler's rope, with both horses facing the steer and with the ropes dallied and tight (slack taken up). Both competitors horses' front feet must be on the ground and both ropers must be mounted when time is flagged.

11.06 The steer must be standing when it is roped by the head or heels. Ropes must be released from the steer as soon as possible.

11.07 A dropped rope or broken rope will be considered no time.

11.08 If in the opinion of the flag judge a heel loop is thrown before the header has dallied and changed the direction of the steers shoulders, the team will be disqualified.

11.09 There are only THREE legal catches;

a. AROUND BOTH HORNS.

c. AROUND THE NECK and,

c. HALF HEAD CATCH.

If the honda passes over one horn and the loop goes over the other horn, the catch is illegal.

11.10 If the loop crosses itself in the head catch, it is illegal. This does not apply to heel catches.

11.11 If a competitor in the team roping event withdraws from the event after the contest has commenced, his partner may select a replacement from competitors entered at the same rodeo. A replacement may not be one who already has the maximum number of runs allowed in the team roping at that rodeo. If a partner is unavailable (in case of accident or breakdown) instead of turning out, a competitor may select another competitor who is nominated for that rodeo in any other event to compete with on the day. The replacement competitor must pay the entry fee for that event.

11.12 If the heeling competitor is fifty (50) years of age or over they are permitted to tie the rope hard and fast to the roping device and an approved quick release device must also be attached to the rope.

11.13 A competitor shall not take the rope off the steer in the arena without a valid reason.

11.14 If a heeler catches only one hind foot, a five (5) second time penalty will be added to the recorded time. Timekeepers must record the elapsed time shown on both of stopwatches plus the barrier penalty (if a barrier is broken) plus the one hind foot penalty. i.e. 12.28 - 12.37 +10, +5.

11.15 In the team roping contest, when the header fails to attach his rope to the beast the heeler is not to contest the competition any further. Failure to comply with this rule will result in an immediate fine.

11.16 If an animal hooks up by its' horns in the chute and the competitor rides from the box they will not be given a re-run.

11.17 Disqualifications

A competitor will be disqualified for any of the following:

a. a header or heeler who handles their stock inappropriately, at the discretion of the judge.

b. excessive dragging of the steer by the header if it accidentally falls to the ground.

c. heading or heeling without releasing the rope from the hand.

d. an illegal head catch.

e. the heeler roping the heels before the header ropes the head and changes direction.

ABCRA Team Roping Rules

RRTE.3. Team Roping Rules

- 1) Points to be split equally between header and heeler.
- 2) If header accidentally jerks steer off his feet or steer trips or falls, header must not drag steer over 2.5 metres before steer regains his feet or the team will be disqualified.
- 3) Competitor shall not take rope off steers in arena without a valid reason.
- 4) Contract Stock must be used for Team Roping. The minimum size horns for Team Roping cattle to be 150 mm. No maximum horn length to be set. If there is a problem with a steer the event director to take up issue with stock contractor and judge.

SECTION 12 U14 BAREBACK

ARF Under 14 Years Bareback Ride

EVENT DESCRIPTION

The contest horse will have an approved saddle and halter, if required, fitted and properly adjusted within the confines of the buck chute. The competitor will signal for the chute gate to be opened and the horse will enter the arena. The competitor must ride the horse until the full time signal is sounded to make a qualified ride and receive a score.

12.01 Equipment

The bareback rigging must be made of leather only. The handhold must be loose and no raw hide is to be used.

Bareback riding gloves must be made of thin soft leather and must not have any chocks in them. Finger tucks are not allowed. No foreign substance is allowed on gloves or rigging.

All competitors must ride in properly fitted and securely fastened helmets and protective vests.

12.02 Stock

a. Ponies must be four (4) years of age and over.

b. The minimum weight is 200kg.

c. All stock must be supplied by an approved stock contractor and must be handled and tried before going to a rodeo. Any unsuitable stock will be banned.

d. All ponies must be cross tied in the chute by experienced persons.

e. All flank straps must be suitable for ponies and must be correctly adjusted.

12.03 The time limit for this event can be either six (6) seconds or eight (8) seconds.

12.04 Competitors will not be disqualified for not "marking out", but will be awarded an extra five (5) points per judge for "marking out".

12.05 Competitors will be matched up according to physical size of the stock and the rider. Bigger competitors cannot ride smaller stock. The judge's decision will be final.

12.06 Due to the necessity to match competitors to the stock, this event is a non-points event.

12.07 All Federal Government, State Government or rodeo association animal welfare rules, regulations and standards must be adhered to.

ABCRA COMMITTEE RODEO RULES

RRC.1. Set Rounds

Committees wishing to set rounds (i.e. nominate when they wish certain competitors to compete in main performance) can nominate 60% of competitors for performance and the remainder will come from the draw.

RRC.2. Split Event

In a rodeo that runs more than one day a competitor should be drawn up in all events on the one-day if requested and where program allows.

RRC.3. Minimum Entries

If there are less than eight entries in an event through Central Entry, entries can be taken to make entries up to eight without late entry fee, shut off day being Wednesday.

RRC.4. Events Stopped

In case of a rodeo being cancelled and some events have been partly run (ie Complete Sections)the events should be paid out accordingly, i.e. if event is split into 3 sections and 1 section was completed, the place getters from that section receive a third of the prize money and a third of the added entries. The remaining two thirds of competitors would receive their entries and fees back. No points will be allocated for unfinished events. If more than 2 head contest and one full round or more is completed points will be allocated as per results of the first round. In the event of a section not being completed, no points or prize money is to be awarded.17/3/15

RRC.5. Prize Money Breakup

Rodeo payout percentages.

One way - 100%

Two way - 60%, 40%

Three Way - 50%, 30%, 20%

Four Way - 40%, 30%, 20%, 10%

Five Way - 37%, 27%, 19%, 10%, 7%

Rodeo events (except Team Roping) based on total paid out prize money per round.

ALL EVENTS PAY OUT 5 WAYS REGARDLESS OF TOTAL PRIZEMONEY. This applies to all events except Team Roping.

All Junior and Novice events pay out 5 ways regardless of total prizemoney.

All Round and Junior events points for rodeo events will be based on 5 points for 1st, 4 points for 2nd, 3 points for 3rd, 2 points for 4th and 1 point for 5th

Team Roping payout per round.

\$300 - \$500 3 ways.

\$501 - \$1500 4 ways.

\$1501 - 5 ways.

If Team Roping prizemoney exceeds \$1,000, the committee may choose to allow 1 run per team.

When only 1 run for Team Roping and prizemoney is over \$1,000, winners to be allocated five (5) points for a win, 4 points for 2nd, 3 points for 3rd, 2 points for 4th and 1 point for 5th to All Round standings. Each competitor will only be charged a maximum, of half of the 3% levy and stock levy.

RRC.6. Prize Money Rules

1. Multiple Go-rounds

a) Rodeo's with Two Full Go-rounds and Average

The go-rounds and the average pay the same (i.e. 33 and 1/3% of prize money goes to each go-round, and 33 and 1/3% goes to the average). Placings are then paid as per normal rodeo

splits. (Minimum posted prize money must be at least \$900 per Open event).

b) Rodeo's with Three or More Go-rounds and an Average
Divide the total prize money, for any particular event, by number of go-rounds plus the average. The answer will be the payout for the go-round. Twice the answer will be the payout for the average. The average is always double the go-round. (Minimum posted prize money must be at least \$300 per round and average). Placings are paid as per normal rodeo splits.

2. Rodeo's with Go-Round, Finals and Average

Prize money total to be divided as follows. Forty percent (40%) for the go-round, forty percent (40%) for the average, twenty percent (20%) for the finals. Rodeo's that run events to this format must have at least \$900 posted prize money per event. Placings are then paid as per normal rodeo splits.

3. One round and Final

Round 60% / Final 40%

4. Event with Qualifying Round/s and a Final

When a Rodeo Committee chooses to run an event with qualifying round/s and a final, only competitors who qualify will be entitled to compete in the final. No wildcard entries will be permitted to compete in the final round for prize money and /or points.

5. Or as agreed to by the Board.

RRC.7. Non Event

If there are no scores recorded or no times recorded, the event is classed as a non-event. It is the option of the Committee to re-run the event in order to distribute the prize money but no points will be awarded for National Rodeo All Round or National Points. If the event is not re-run, all added money shall be refunded.

RODEO STOCK

RRS.1. Dangerous Stock

Any stock that jumps out of an arena and/or yard complex will not be allowed at another event, unless the contractor can show just cause.

RRS.2. Insufficient stock

When Open and Novice Rough Riding events are on the one program and there is insufficient stock, it is recommended that novice riders be restricted to Novice events. The committee may stipulate cross entries subject to the availability of stock.

RRS.3. Substitute Stock

If drawn stock are not available at rodeo or have been injured, substitute stock may be provided. In the event of a substitution, the substitute animal must be added to the re-ride pen (including any notified turn out animals) and then the draw will be taken as substitute animal first and other animals then in the order of the re-ride.

RRS.4. Fresh Re-Ride Stock

That one extra fresh horse must be provided for more than the first ten and not more than 20 entries and then one extra horse for each ten entries beyond the initial 20 entries. This will relate to all bareback and saddle bronc events. Where possible, for each ten head of stock, or multiples of ten thereafter a fresh re-ride horse should be provided by the contractor.

RRS.5. Withdrawn Stock

Any rough stock withdrawn from a rodeo event because of injury or sickness will not be allowed to enter in a draw for a minimum period of ten (10) days.

RRS.6. Turnout Stock

After three honest attempts to get out on stock, rider can turnout with the consent of the Judge and take another head of stock.

RRS.7. Flank Straps

All flank straps to be lined with sheepskin or approved lining. Recommended suitable flank strap linings – sheepskin, synthetic lamb's wool, neoprene or wool blanket.

If it is a competitor in that event pulling flanks the contestant has the right to have the contractor appoint another flank man.

RRS.8. Head Collars

Head collars must be used on Novice bareback and in Juvenile bareback events.

Head collars may be used on Open Bareback.

RRS.9. Turned Out Stock

That if a head of stock is turned out through misconduct the stock is excluded from competition for the duration of that rodeo. The decision to be made by the judges.

RRS.10. National Stock Awards

For a head of stock to be eligible for a National Stock Award that head of stock must be used at a minimum of 5 ABCRA affiliated rodeos throughout the applicable season.

RRS.11. Injured Stock

If any stock is injured in competition, the judge must stop the ride or run and a re-ride or re-run may be given at the judge's discretion.

RRS.13. Limit on Use of Steer Wrestling Cattle

Cattle used for steer wrestling cannot be used for any roping event at same venue.

RRS.14. Junior Steer riding stock

It is recommended that Committees use contracted Junior steer riding stock where possible. **SEPT 2020**

ARENA PERSONNEL

RRA.1. Arena Personnel

Approval of Rodeo officials rests with the Board of Directors. 16/7/14

- a) Judges, Pick Up Men, Contractors, Clowns and Chute Bosses must be full senior members of the ABCRA. Event Membership or Social membership is not acceptable.
- b) Timers in the arena must be 18 years old and over."

RRA.2. Rodeo Judges

Rodeo Judges

Committees conducting rough stock and timed events must select their judges from the Approved Rodeo Judges listing. List of approved judges is available from Head Office or Zone Secretaries.

Allocation of points awarded by the Judge or Judges SHALL BE FINAL.

Event Membership or Social members are not eligible to judge at ABCRA events. It is the responsibility of the Committee to ensure that Judges are chosen from the Approved Judges list and that Judges from other Associations are full senior members of that Association. It is the responsibility of the organizing committee to supply the reciprocal judges current membership number to Head Office when submitting personnel. Judges from other Associations are to be issued with a complimentary Event Membership and a liability waiver form

must be signed, otherwise the judge will not be covered by ABCRA public liability insurance.

Judges are to sign the event sheets and be responsible for committees being aware of the correct payout procedure and percentages.

Judges cannot compete in any event which they are judging.

It is the responsibility of paid judges to appoint approved judges for other events at no expense to the committee for any event the judges are competing in.

A member must be on the Approved Rodeo Judges listing to judge at a Points Rodeo or National Finals Rodeo.

A member wishing to become an approved Rodeo Judge with the A.B.C.R.A., must first Shadow Judge under three (3) different approved Judges and must also pass an oral test and on the results of the "Tests", be graded by the M.R.C. All Judges must watch every ride until completion regardless of any infringements, which may have occurred.

Judges cannot compete in any event which they are judging.

At least one judge in rough stock events must carry a stopwatch to make time decisions in case of dispute. When two (2) stopwatches are used, (which is recommended) then at least one (1) stopwatch must show the time required, in that event, for a qualified ride.

Judges are to sign the event sheets and be responsible for committees being aware of the correct payout procedure and percentages.

No judge's decision can be changed after the signed sheet is handed to the secretary.

RRA.3. Chute Boss

It is compulsory for all points award rodeos to provide a chute boss at both timed event and rough stock event ends of the arena, and that the chute boss will be fully responsible for the competitor competing on drawn stock. Chute Boss must be a financial senior member of the ABCRA.

RRA.4. Time-Keeper

Timekeepers are recognised as official timers.

Timers are to remain the same throughout the performance except for sickness or injury.

Timers cannot compete in any event which they are timing.

Timekeepers when officiating at the Team Roping event must record the Header in each team by marking a "B" beside the competitor's name.

Committees must use one approved timekeeper. Timekeepers are not required to be financial Association members.

Approved Time Keeper Application

SEPT 2020

To apply to become an approved Time Keeper an individual must;

- a. Submit application form
- b. Complete the written test with a satisfactory result
- c. Complete 1 Shadow event that is signed off by the Time Event judge.

RRA.5. Pick Up Persons

Pick up persons must be approved and work under the direction of the promoting committee and must be full senior members of the ABCRA. Event Membership and social membership is not acceptable.

Pick up person must be selected from the approved list. They shall be mounted on horses suitable for the job.

They shall position themselves in the arena, clear of the chutes, so that they will in no way hinder the competitor and/or his horse until the expiration of the ride.

They will not close in or touch either horse or rider until the signal is given for the expiration of the ride.

All pick up persons must use horned saddles.

Only one Shadow Pick Up Person can be in the arena with an Approved Pick Up Team at any ABCRA rodeo.

Pick Up Man of the Year Award – The Pick Up Team of the year be a nominated team of two people and the Pick Up Horse of the year be a single horse award, and both awards to be voted upon by the top 15 competitors in the Bareback and Saddle Bronc events at the National Finals Rodeo.

RRA.6. Rodeo Clowns See also Committee Rule Com21

Committees are to use two clowns from the Approved Rodeo Clowns listing in all Bull Riding events. Clowns must be full senior members of the ABCRA. Event Membership or social membership is not acceptable.

Clowns are not to abuse stock in any fashion.

Two Approved Clowns and only one Shadow Clown are allowed in the arena at one time at an ABCRA rodeo. A shadow clown must be 18 years of age and over to shadow clown a novice and/or open bull ride. A member under the age of 18 may only shadow clown junior/juvenile steer ride or junior bull ride.

Two provisional clowns may not work a rodeo without the consent of any two of the following – Judge, Event director, MRC or Board director.

RRA.7. Rodeo Personnel from other Associations

Rodeo Personnel may be selected from other associations that are affiliated with the RFA in remote areas under hardship clause, appointments are to be approved.

JUNIOR RODEO COMPETITORS AND EVENTS

RRJ.1. Juniors

A Junior rodeo competitor as determined by this Association, shall be a person under the age of 18 years.

A competitor may commence competition in the Junior Steer Ride once they have turned 8 years of age.

A Junior Competitor may compete in Novice Rough Stock Events once they have attained the age of 16 years.

The age the competitor is on the 1st December determines the age

group the competitor competes in for that point year (1st December to 30th November).

Competitors who turn 18 years of age are no longer eligible to compete in Junior events.

RRJ.2. Protective Head Gear

All competitors under 18 years of age, must wear a helmet when competing in all events, and anytime whilst mounted at an affiliated ABCRA event. The chinstrap must be securely fastened under the chin. Helmets are to comply with current industry and sports Standards.

Junior Competitors competing in Steer, Miniature Bull and Junior Bull riding events must wear a fully enclosed helmet.

Failure to wear a helmet properly secured whilst mounted or competing in events shall result in the imposition of a minimum \$50 fine for each occasion the competitor is detected. 18/03/15 The Judge (or committee within your committee pack) shall advise Head Office who shall convey the details of the fine to the competitor. Should the Judge be in possession of a fine

book, the penalty may be imposed at the time the competitor is detected.

Should a junior competitor come under notice on two separate occasions for failure to wear a properly secured helmet, they shall be referred to the Executive of the Board to show cause why some other punitive penalty should not be imposed upon them.

RRJ.4. Junior Saddle Bronc

The Junior Saddle Bronc will have a time of eight (8) seconds. Suitable stock to be used. Contestants to be 14 years and under 18 years. Event rules refer to Saddle Bronc.

RRJ.5. Junior Bull Ride Rules

Junior Bull Ride will be a one-hand event with a score time of eight (8) seconds. The age limit will be fourteen (14) years to under eighteen (18) years for Junior Bull Ride.

Junior Bull Ride held will gain National Points for Juvenile Steer Ride if Juvenile Steer Ride is not held.

Bulls used in a Junior Bull Ride will be restricted to suitable stock under 500kg.

That commencing December 1st for 2019 points year, the 14-U18 Junior Steer Ride will become 2 separate National Title award events. Where a committee will count towards Allround Junior Cowboy or Cowgirl Awards. **16 OCT 2018**

RRJ.6. Juvenile Steer Ride

The Juvenile Steer Ride 14 to under 18 years, will be conducted as a one hand event with the time of eight (8) seconds.

Qualifying competitors may compete at the National Finals only, even if they have turned 18 years of age during the point year concerned.

RRJ.7. Junior Steer Ride Rules

The Junior Steer Ride 11 to under 14 years, will be conducted as a one hand event with the time of six (6) seconds.

RRJ.8. 8- Under 11 Junior Steer Ride

Score time in 8 to under 11 Steer Ride will be six (6) seconds.

In Steer Ride the stock used must comply with age, minimum and maximum weight limits as prescribed by the relevant State or Federal legislation. There shall be no flanks used unless by request of the owner of the stock and to be restricted to competitors 8 years to U11 years. Maximum rider weight of 40 kg.

A competitor may only be assisted by one person in the arena in the 8 –under 11 steer ride and if assisted will receive a no score.

If a Steer Rider is held on during an event, the judges sheet must be marked as a no score (therefore, no points awarded to that competitor).

Under 8 roughstock events are prohibited **SEPT 20**

RRJ.9. Juvenile/Junior Barrel Race

Juvenile Barrel Race is a mandatory Point Rodeo event and is open to both junior boys and girls. If a juvenile and ladies barrel race is run consecutively the ladies event will be run first. Juvenile/Junior barrel race competitors must compete unassisted.

All junior (under the age of 18 years) competitors may be assisted to their starting point. This relates to all competitive groups across the junior competition ages, that being the under 11 age group, the 11 to under 14 age group and the 14 to under 18 age group.

All other Junior/Juvenile Barrel Race Rules shall be the same rules and consistent with the rules for the Ladies Barrel Race competition.

1 horse, 1 rider rule does apply for Junior and Juvenile Barrel races in Western Australia, to be reviewed annually.

Marking Barrel Racing Course and Setting Timers - Junior Barrel Race: The last two full financial members in the 14 – 18 years Barrel racing draw must assist with marking and setting course. The First two full financial members in the 14 – 18 years Barrel racing draw must assist with putting away timers.

RRJ.10. Junior Age Groups

A committee is entitled to run the standard recognised Junior/Juvenile age groups or 18-U21 events.

NCCA CAMPDRAFT RULES

AUSTRALIAN BUSHMEN'S CAMPDRAFT AND RODEO ASSOCIATION LTD AS AN AFFILIATED MEMBER OF THE NATIONAL CAMPDRAFT COUNCIL OF AUSTRALIA INCORPORATED

NATIONAL CAMPDRAFT COUNCIL OF AUSTRALIA INCORPORATED

Updated 21st March, 2018

INTRODUCTION

The following rules are mandatory to NCCA member Associations. The aim is to have uniformity of Campdraft rules Australia-wide.

Association Rule books should be set out in the same way, i.e. competition rules, status of horse and riders.

The Association wanting to change or alter a rule, must initially write to the NCCA, who will then circulate the proposed changes to member bodies. The NCCA will co-ordinate discussion and bring about a resolution of the proposed changes. The NCCA recognizes that each Association will have their own rules pertaining to; awarding of points, encouragement draft qualifications, rookie horse, protective headgear, order of entries etc.

1. JUDGING -GENERAL

- 1.1 When selecting a Campdraft course, the Judges should try to set a course, which will allow competitors to compete in an attacking and attractive manner. Under no circumstances should a Judge attempt to set a hard or difficult course as this practice only produces sub-standard drafting, which is unattractive to spectators and is not in the best interest of promoting the sport.
- 1.2 The Judge should address the competitors prior to the commencement of a draft.
- 1.3 Maximum points are: horse work 70 points; cut out 26 points; course 4 points to give a total of 100 points.
- 1.4 The number of cattle in the camp will be left to the discretion of the Judge, cattle steward and cattle donor. It is recommended that there shall be a minimum of six head of sound stock in the camp at any time. The exception being the Junior Draft 8-U13 years where there is one (1) head of sound cattle in the camp.
- 1.5 Yard clearing and spelling procedures are to be specified at the beginning of the draft.
- 1.6 A competitor may discuss in a polite manner with the judge only course points.
THE JUDGES DECISION SHALL BE FINAL.
(Updated 5.12.15)
- 1.7 When multiple judges are used, individual scores should be announced prior to the aggregate score.
- 1.8 1.8 A member needs to be 18 years of age to judge a campdraft event. **JUL 2021**

2. JUDGING - CUT OUT / CAMP

- 2.1 The Judge should order the removal from the camp of unsound or distressed cattle or cattle that may interfere with the competitor's cutout and immediately replace the same number, with sound cattle.
- 2.2 The competitor must not "try out" or work a beast until instructed by the judge to commence the cutout.
- 2.3 Once a competitor starts to work a head of stock, they accept it as sound.

- 2.4 If a Judge deems it necessary to interrupt a competitor's cut-out, a fresh beast may be selected if so desired; the original beast chosen must first be removed from the camp and replaced with a fresh beast.
- 2.5 Cutout points will be held by the horse whether it scores outside or not,
- 2.6 Disputes over foul-ups at the cutout gate will be settled by the Judge.
- 2.7 In the event of the beast breaking out of the face of the camp before the competitor calls for the gate, they must follow it. If the Judge considers the competitor has been unduly disadvantaged and has not significantly contributed to the breakout, a re-run may be awarded.
- 2.8 In the case of a breakout of cattle from the camp, the number of replacement cattle is to equal the number of breakout cattle.
- 2.9 Where a re-run is awarded in relation to rule 2.7 and 2.8 the competitor shall receive the lesser of the two cutout scores.
- 2.10 In any run-off for cutout prizes, each horse's score must be announced as soon as the individual cutout is completed. A fresh beast must be added after each cutout.
- 2.11 A committee using the two-camp system must clearly state on their program that the system will be used, and also advise any prospective Judge.
- 2.12 A cutout is not complete until both beast and rider have exited the camp through the front gate.
- 2.13 In the event of a beast jumping out of the side or back of the camp where a re-run is required the competitor will start with the same amount of cattle with their previous faults carried forward.
- 2.14 In the event of a beast being distressed, showing lameness or baling up and attempting to horn a horse, the judge shall terminate the cut-out. In this case no re run will be awarded.

Implementation: 5 December, 15

- 2.15 In the event of a beast exhibiting bleeding as a result of a competitor's actions, the judge will terminate the round and no re run be awarded. Where a beast exhibits bleeding through no fault of the competitor, the judge has the discretion to award a re run.

Implementation Dates:

ABCRA Immediately 2 Dec 15

ACA 1st April, 2016

GCA & SCA 1st July, 2016

3. DISQUALIFICATION CUTOUT/CAMP

A competitor will be disqualified for:-

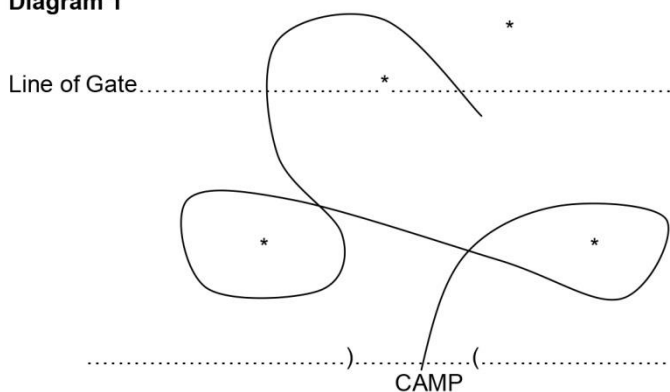
- 3.1 Losing a beast twice into the cattle, or, at the discretion of the judge losing control of the beast for the second time.
- 3.2 Unnecessary delay while selecting a beast.
- 3.3 Changing beast after being clear of the cattle.
- 3.4 Calling for the gate with more than one beast in front of the horse and subsequently taking more than one beast out of the camp.

4. JUDGING- COURSE

- 4.1** The time limit for completion of the course will be 40 seconds, and the start of a run is when a horse exits the cutout.
- 4.2** The maximum points for the course will be 4 points. Points for the course shall be allocated as follows: 2 points for the first peg; 1 point for the second peg; 1 point for the gate.
- 4.3** The course shall be either left or right hand at the discretion of the judge and should be set to allow attractive campdrafting suited to the particular arena's size and condition.
- 4.4** The competitor is allowed 2 attempts at each peg.
- 4.5** A missed peg must be completed before attempting the next peg.
- 4.6** In the event of a split peg it will be classed as a missed peg and a competitor be allowed a second chance at the peg and, if successful, will be allocated points for the peg.
- 4.7** The first peg must be completed in order for the competitor to receive horse work points. The first peg is completed when the line between the first and second peg is recrossed. If the first peg is knocked down the run is terminated. However, if the second peg is knocked down by either the horse, rider or beast - the competitor shall go on to the gate and no course points will not be allocated for the second peg or gate. If a gate peg is knocked down no gate points can be allocated.
- 4.8** In the case of a deliberate knockdown peg or deliberate split peg the competitor will be disqualified. Clarification of a Knocked down peg. Knock down of a peg that has PVC Pipe over electric fence posts. When the PVC pipe is on the ground it is classed as a knock down peg.
- 4.9** The line of the gate is a line parallel to the front of the camp, which passes through the left hand peg of the gate for a right hand course. At the judges discretion the gate may be offset.

Diagram 1 shows the line of the gate for a right hand course.

Diagram 1



- 4.10** Only one attempt to complete the gate is allowed once the beast and competitor have crossed the line of the gate. If the attempt is unsuccessful the judge shall terminate the round and score the competitor, provided that in the

opinion of the judge, the competitor has control of the beast.

- 4.11** If beast and competitor fail to cross the line of the gate, a second attempt to cross the line of the gate is required. On the second attempt, the beast and competitor must cross the line of the gate to be scored (time permitting).
- 4.12** A horse that clips a beast when changing sides shall be penalized; however a horse that badly hits a beast over the hocks or runs up the rump of a beast will be disqualified. **30 NOV 2016**
- 4.13** In liaison with the committee a judge will be allowed to restrict the number of faults a competitor is allowed in competition in the interest of safety, animal welfare or exceptional circumstances due to hold ups or time to complete the program. Any protocols applied in the first round of any draft may be applied in the final of that draft.
- 4.14** Provided the first peg is completed, a competitor in control of his/her beast when time has lapsed regardless of position on course must be scored.
- 4.15** In the event of a beast being distressed, showing lameness or bailing up and attempting to horn a horse, the judge shall terminate the round and score the competitor (providing the first peg has been completed). In this case no re-run can be awarded.

Implementation Dates: ABCRA Immediately 2 Dec 15

ACA 1st April, 2016

GCA & SCA 1st July, 2016

- 4.16** Where the judge terminates an outside run due to interference or safety concerns and the competitor is awarded a re- start, the competitor will start again with the lesser of the two cutout scores with the original entitlement of cattle.
- 4.17** In the event of a beast exhibiting bleeding as a result of a competitors actions, the judge will terminate the round and no re run be awarded. Where a beast exhibits bleeding through no fault of the competitor, the judge has the discretion to award a re run.

Implementation Dates: ABCRA Immediately 2 Dec 15

ACA 1st April, 2016

GCA & SCA 1st July, 2016

5. DISQUALIFICATION COURSE

A competitor will be disqualified for:-

- 5.1** Knocking down the first peg by either horse, rider or beast
- 5.2** Losing control of the beast in the arena.
- 5.3** Running a beast into the arena fence.
- 5.4** Running a beast around the back or past the gate before completing the first and second pegs.
- 5.5** Running a beast outside of the second peg before completing the first peg.
- 5.6** Running a beast through the gate from the front.
- 5.7** Running a beast past the gate on the wrong side.
- 5.8** Failing to have control of the beast after passing behind the gate.

6. TERMINATION OF ROUND

The competitor shall cease to work the beast when:-

6.1 The timekeeper's whistle has blown to terminate the round.

6.2 The judge terminates the round.

7. OTHER DISQUALIFICATIONS

A competitor will be disqualified for:-

7.1 Turning tail to the beast. A tail turn is a turn executed by a horse in the opposite direction of the beast's line.

7.2 Badly hocking a beast or running up its rump.

7.3 A fall of the horse or rider causing loss of control.

7.4 Ill-treating either the beast or horse.

7.5 Refusal to compete on sound available stock.

7.6 Not being present on the third call.

7.7 Horse bucking or rearing out of control.

7.8 Excessive or harsh use of a bit or spurs. No whip or switch may be used.

7.9 Competitor is not considered to be in safe control of their horse.

8. CLASSES OF HORSES

There will be three classes of horses:-

8.1 Maiden Horses

A maiden horse ceases to be a maiden if it has won an event in any class or contest except Junior, Juvenile, Futurity, and Encouragement drafts or Team events.

8.2 Novice Horses

A Novice horse is a horse which has won first prize in a Maiden, Novice, Ladies-or restricted Campdraft and remains a Novice until the horse has won a further three Novice drafts. A horse that has won an Open Campdraft ceases to be a Novice. A horse can win four Novice drafts if it has not won first prize in a Maiden.

All Associations will implement from the start of each Associations points year.

Once a horse has broken status in their Association that status is carried through to All Associations.

8.3 Open Horses

An Open horse is a horse, which has won a first prize in an Open Campdraft, or has completed its Novice status.

8.4 Rookie Horse

A Rookie Horse is a horse which has not started in a Campdraft prior to the commencement of the relevant association's competition season. **21 MAR 2018**

9. STATUS OF HORSE OR RIDER

9.1 Any event advertised as a Campdraft, either in written or verbal form of advertising, shall change the status of a horse whether the event is affiliated with a recognized Campdraft Association or not.

9.2 For a competition to be deemed a campdraft either entry fees are charged or prize money given. Where awards are given and no additional entry fee is charged for any campdraft event, horse status will not be altered.

9.3 Restricted Campdrafts

A win in a registered Breed Society campdraft, or invitation campdraft will alter the status of the horse as per the status of the event. If the class is unspecified the status will be determined by the highest status of horse that competes.

9.4 The status of a horse winning a Campdraft will be determined by the highest class of horse that competes with the exception of Juniors, Juveniles, Ladies, Old Buffers, Associates and Encouragement campdrafts. The winner attains the status of the highest class of horse participating (e.g. if one Open horse competes then it is classed as an Open draft.

9.5 The first round of any Campdraft must be completed before any winner can be decided. Where two or more horses tie for first place the winner shall be determined by a run-off, however under exceptional circumstances, a A draw will determine the winner of the Campdraft if a run off is not possible, with only the winner breaking status.

9.6 As a positive response to committees that wish to run a cattle-type contest without damage to a horses' status, the NCCA will accept the following types of contest without any penalty to the winning horse.

(a) Cattle Working Contest - Contest I

If Cutout and Horse-work points are allocated by the judge of the contest then both the first and second pegs must be removed from the course. The gate is optional to the committee.

(b) Cattle Time Trial - Contest 2

The normal campdraft course may be used so long as the winner is determined on a "time" basis and the judge allocates neither Cutout nor Horse-work points.

9.7 Team Drafts

Team Drafts do not affect the status of any horse.

9.8 At campdraft training days no horse's status will be broken.

9.9 Status of Horses and Rider at a Fixture **JULY 21**

At a fixture the rider and the Horses's status will be as at the beginning of each Draft at that fixture.

10. COMPETITOR STATUS

10.1 Junior Rider

A Junior Rider shall be aged from 8 years, and under 13 years.

10.2 Juvenile Rider

A Juvenile Rider shall be aged from 13 years, and under 17 years.

10.3 Associate Rider

An Associate shall be aged from 17 years, and under 21 years.

10.4 Encouragement

An Encouragement Rider shall be 17 years and over.

Has not won an Open age draft (i.e. Maiden, Novice, Open, Ladies, and Associates) or a restricted draft as in 9.3 and 9.4

A win will not alter the status of the horse. Competitors cease to be eligible to compete after winning One (1) Encouragement, or One (1) open age campdraft, or placing 3 times in open age campdraft.

Drafts for Encouragement riders may be further restricted by age, geography (e.g. Shire), status of horse (e.g. Maiden horse) or sex. **21 MAR 2018**

Implementation Dates: ABCRA GCA Immediately 2 Dec 15 ACA 1st April, 2016SCA 1st July, 2016

10.5 Maiden Rider

A Maiden Campdraft competitor must not have won a Campdraft that breaks a horse's status i.e. Maiden, Maiden 4 Maiden, Novice, Open, Restricted Open, Ladies or a restricted draft as in 9.3. **5 DEC 2017**

10.6 Novice Rider

A Novice Campdraft competitor is a rider who has not won an Open Campdraft and does not qualify as a Maiden Rider. **5 DEC 2017**

10.7 Open Rider

An Open Campdraft competitor is a rider who has won an Open or Restricted Open Campdraft. **5 DEC 2017**

10.8 Master Rider

Is a rider aged 55 years or over. **5 DEC 2017**

11. GENERAL RULES

11.1 Dress & Saddlery

Campdraft competitors must wear a hat or safety helmet, boots, collared buttoned long-sleeved shirt and long trousers in competition at all times. Caps are not permissible. Competitors must be neat and presentable. **5 DEC 2017**

11.2 Competitors must be suitably attired and mounted for presentations.

11.3 Competitor is allowed to ride in saddlery of his own choice, and horses can be worked in any bits, bosals or hackamores, however the horse must have free use of its head and any type of head tie-down, running reins, head checks etc must not be used. The judge has the right to call on any competitor to inspect his gear and if gear is illegal, competitor is compelled to remove the offending article before competing.

11.4 Suitable spurs are allowed but no whip of any kind may be carried or used by a competitor in a campdraft.

11.5 All nosebands attached to the bit are to be a minimum of 20mm in width and of leather construction.

11.6 Rings with Stops

Rings with Stops can be used in Junior, Juvenile, Encouragement, Maiden and Ladies drafts.

11.7 Illegal Entries

Persons found guilty of an illegal entry of a horse must return all winnings relating to the offence to the committee where the offence took place and the guilty party, including the horse, may be suspended for a minimum of three calendar months.

11.8 Substitution

Any campdraft that imposes restrictions on rider status cannot have a substitute rider.

11.9 Insufficient Full Scores

(1) The cumulative score from each round be carried forward into subsequent rounds.

(2) a. Those competitors carried forward from an elimination round on a full score shall have preference in aggregate placings over those carried forward on cutout scores only.

(2) b. In the case of two or more full rounds and a final, those going into the final on a combination of full scores will have preference in aggregate placings.

If there are insufficient full scores to fill final placings the committee may use cut out scores only to fill minor placings.

11.10 Placings in an Event

If there are two or more horses on the same score at the conclusion of an event or final of an event, placings will be decided on the run off score.

11.11 First round runs

All horses are allowed no more than one first round start per event.

11.12 Stallion Containment Requirements

A. Minimum Stallion Containment Requirements

In daylight hours you may either:

Stallions to be double tied. Stallions to have an exclusion perimeter erected around the horse and area they are tied to exclude any possible interaction between the stallion and another horse or human.

OR

B. Stallions to be enclosed by panels. Stallions can be free to roam inside the panel area when an exclusion perimeter is erected around the panelled area to exclude any possible interactions between the stallion and another horse or human. Only 1 horse allowed per enclosure. Panels must be a minimum of 1500mm in height. Panels must be constructed using an equivalent of 4 bars of 25mm box or pipe equivalent as a minimum. Panels must be anchored securely to a solid object i.e. truck, post or tree.

At night:

The same rules apply to daylight hours with the addition for a stallion that is in panels must have at least one additional form of restraint e.g.: tied up, hobbles, sideline. **5 DEC 2017**

11.13 Suspension of a Member

If a member is suspended from one Member body of the NCCA, that individual is suspended from all affiliated NCCA Member Organizations.

11.14 If action is taken by an NCCA member body against a judge, the NCCA and other member bodies are made aware of such action. **5 DEC 2017**

SMALL ARENA CAMPDRAFTING

12.1 Small Arena campdrafting is conducted under the same rules as Large Arena Campdrafting.

The recommended minimum width of the Arena will be 40 metres, and the recommended minimum length will be 70 metres.

Comments

Any work using the arena fence and work taking the beast outside the course proper and returning to commence the course will be penalised and judged accordingly in horse work points. It will be up to the judge to determine when a rider has lost control and end the work.

DRUGS AND WELFARE POLICY FOR HORSES USED IN CAMPDRAFTING

The National Campdraft Council of Australia recognises the importance of sound animal welfare policies, which prevent the use of animals which are not fit for competition. Fitness may be gauged as appropriate physical fitness or lack of suitability for competition due to injury or disease.

The NCCA recognises that animals used in competition must be treated in a humane manner and that the NCCA does not condone the ill treatment or abuse of any animals whilst competing at campdrafts.

1. The following provisions regarding conduct shall apply to any event whether in competition or practice.

(a) Inhumane treatment or abuse of a horse in any manner whilst in the arena or on the grounds is prohibited. Inhumane treatment includes, but is not limited to, the following:

- (i) Riding of a crippled, injured or lame animal.
- (ii) Riding of a horse with a health abnormality, which could result in the horse's undue discomfort or distress.
- (iii) Abuse of an animal which includes excessive jerking, spurring, whipping or any other act intended to cause trauma or injury to the animal.

(b) Any act of abuse or intent to abuse an animal whilst in the campdraft arena or on the grounds or the vicinity which could also endanger the safety of other persons or animals will not be tolerated and the persons may be subject to disciplinary action.

2. If the Campdrafting Committee discovers inhumane treatment or abuse of a horse it may immediately bar the responsible party and horse from further participation from the event. This decision should be based on consultation with a veterinary surgeon. In the event that a Veterinary Surgeon is not available then the committee shall consult with the judge(s) of the event before any action is taken under this rule.

3. Administration of a drug or drugs while on the grounds or the vicinity of campdrafting grounds, including the arena, practice area or stables is strictly prohibited with following provisos:

(i) Any horse winning an event may be swabbed. Other horses will be chosen at random before the running of an event and they will be swabbed at the completion of the event. The number chosen will depend on the number of entries in the event.

(ii) All testing will be by blood sample. Entry to any event will be contingent on permission for such blood samples to be obtained. The blood test will be an accurate determination of drug levels in the blood stream (not a screening test). A registered drug-testing laboratory will perform the test. Blood samples will only be taken by veterinarians using tamper proof sample kits supplied by the testing laboratory.

(iii) A veterinarian must gazette all drugs that he has prescribed and administered to a horse up to 10 days prior to competition. This information must include a statement that the horse is fit for competition, the reason the drug has been given, the drug administered.

The dose, the route of administration and the date and time that the last dose of the drug was administered.

All of these conditions are mandatory. Any horse found to have a positive swab in the absence of a Veterinarian's certificate will be reported to the governing Associations Drug Committee.

(iv) The result of drug tests will be reported to the governing Associations Drug Committee who on advice from the testing laboratory will determine whether any offence has been committed and what penalty will be imposed. Drug levels that are not high enough to have influenced the performance of the horse will not attract any penalty. These levels will be taken from internationally published data. All results of negative tests will be destroyed.

(v) The cost of these tests will be borne by the governing Associations except where such a test is positive in which case the cost will be borne by the Owner. In the event that a committee discovers or has a complaint made to them regarding inhumane treatment, abuse or any drug administration not in accordance with the above rules, the governing Associations shall be notified and a hearing to consider disciplinary action against the responsible party (s) shall be scheduled.

CODE OF CONDUCT FOR THE CARE AND TREATMENT OF CAMPDRAFT LIVESTOCK

INTRODUCTION

- 1.1** This Code is intended to compliment and support existing legislation. The staging of campdrafts and the conduct of those involved are subject to the relevant legislative requirements in each State.
- 1.2** The rules for the care, treatment and welfare of campdraft livestock are to be observed by all campdraft personnel at each campdraft affiliated with the N.C.C.A. and their member Associations.
- 1.3** If, for any reason, there is a conflict between the rules of competition and the code for the care and treatment of campdraft livestock then the latter shall prevail, without qualification.
- 1.4** Any competitor failing to comply with the animal welfare rules of the N.C.C.A. including unnecessary roughness to livestock during competition in the opinion of the judges shall be disqualified from the event.

POLICY STATEMENT

- 2.1** It is the policy of the National Campdraft Council of Australia that animals used in campdraft shall be treated humanely and with proper consideration for their health and welfare.
- 2.2** The rules for the conduct of campdraft events shall be consistent with this policy and shall be specifically designed to prevent cruelty and minimize the risk of unintentional injury or mistreatment.
- 2.3** The Code of Conduct shall be binding on the National Campdraft Council of Australia, its officers, members and affiliated campdraft committees.

CAMPDRAFT CATTLE

- 3.1** All cattle used in campdrafting must be a suitable size and in a healthy, strong condition, as dictated by normal circumstances for open range cattle in that particular region.
- 3.2** Female stock, which is in an obvious pregnant condition, must not under any circumstances be used in any campdrafting event.
- 3.3** Assembly of stock must be in stock-proof Yards. All yards and loading ramps must be constructed and maintained to minimize stress and inconvenience.
- 3.4** All cattle presented by the Committee for use in competition must be fed, watered and transported in accordance with normal husbandry methods for cattle in transit by droving or motor transport.
- 3.5** Shelter from heat, wind and cold is not considered necessary for cattle except in extreme conditions of climate.
- 3.6** At the completion of unloading stock a representative of the promoting committee to inspect stock and any injured animals to be treated and placed in a situation to relieve stress as soon as practical.
- 3.7** During each and every event, a representative of the committee will supervise the use of stock to ensure the continued suitability of stock for use during such event.
- 3.8** Where an animal is deemed to be in a state of distress requiring euthanasia, the person responsible for the

animal must ensure that it is carried out as soon as possible, humanely and results in immediate death. Euthanasia must be performed only by persons competent in the method used and licensed where appropriate.

- 3.9** In campdrafting events, cattle may only be used once at the same venue except in exceptional circumstances.
- 3.10** The judge must order the removal from the camp of unsound cattle or distressed cattle.
- 3.11** All horses shall be presented in body condition and soundness satisfactory to the judge of the campdraft. The judge must disqualify from competition any horse not meeting their requirements.
- 3.12** The judge must disqualify any competitor causing unnecessary distress to either horse or beast in any campdraft.

AREAS TO MONITOR FOR ANIMAL WELFARE CONCERNS.

- 4.1** Arena surface preparation.
- 4.2** Fitness & training of horses in campdrafting events.
- 4.3** Ensuring cattle are not overworked following completion of a Campdraft run.
- 4.4** Tack & Equipment used by competitors.
- 4.5** Climatic conditions.

CODE OF PRACTICE FOR COMMITTEES OPERATING A CAMPDRAFT

These requirements have been specifically written to address improvement in the Committees of Campdrafts and public liability insurance issue.

This Code of Practice states the requirements for those Associations that seek to upgrade to meet a standard that is acceptable by both.

Risk and prosecution

Following a statutory (legislative) requirement will provide you with a defense in a prosecution for a breach of an obligation (i.e. duty of care).

Following an advisory standard or industry code of practice will also provide you with a defense in a prosecution for breach of an obligation.

If you do not follow an advisory standard or industry code of practice, you must show that you took reasonable precautions and exercised proper diligence in choosing a way to manage exposure to the risk, or that the breach happened as a result of factors over which you had no control.

These requirements are designed to help Committees meet their obligations. Committees may also need to undertake specific risk assessments.

General

These requirements are aimed at reducing or eliminating risks to both participants and spectators in campdrafting events. They do not include special rules that Associations may impose, such as those relating to the running of events, arena size or setup, competition rules, disqualification and so on.

This Code only addresses risks related to the use of horses at campdrafts and the need to control unintended interactions between horses and people. In addition there are a number of other risks that are associated with horses at campdrafts.

These include but are not limited to:-

- Injury due to physical conditions (e.g. slips, trips, falls)
- Environmental injuries (e.g. sunstrokes, insect bites)
- Property damage (e.g. a damaged car).

In order to comply with this code, operators will need to comply with the general requirements and the specific requirements for the activities they undertake.

Notwithstanding any provisions of this code, all Committees have a duty of care to all participants, staff, and spectators. Each individual Committee should review the operations at their campdraft to ensure they meet this requirement.

This code does not specifically address requirements under State and Local Government legislation. Committees are advised to check carefully with the relevant authorities.

General requirements for all campdrafts

Horse and Rider equipment

1. All riders under the age of 18 years must wear, properly fitted helmets (includes use of the chinstrap) that comply with current AS/NZS standards (3838), and are less than five years old from the date of manufacture.
2. Appropriate footwear must be worn at all times when riding. This footwear must enable removal of the foot from the stirrup iron. It must also prevent the foot sliding forward and through the stirrup iron.

When handling horses (i.e. not riding) footwear should be worn that provide strong protection to the top of the foot.

Leather boots are preferred. Open toed sandals and thongs are not to be worn.
3. All Associations should advise participants on footwear and dress requirements.
4. All equipment (e.g. saddles, bridles) used with the horse should be in good repair and correctly fitted.
5. Saddles must be securely attached to the horse in a manner that keeps the saddle properly in place. A saddle must have at least two points of attachment. Suitable attachments are a double buckle girth, girth and surcingle, or double wrapped latego.

Buildings and Grounds

1. Committees should ensure buildings used as part of a campdraft, comply with appropriate state and local government safety regulations. Particularly in relation to fire control systems, food preparation areas and waste disposal.

All buildings that are not used for campdraft activities should be kept secure to prevent unauthorized entry.
2. Where practical, all grounds should have a secure perimeter that reduces the likelihood of horses or cattle escaping. Where fencing is not practical, alternate means should be provided for avoiding uncontrolled stock gaining access to roads.
3. In order to reduce the potential for uncontrolled, and unsafe, interactions between horses, cattle, humans and property (including vehicles), signs should be installed that indicate :-

- a) Areas the public are permitted and where access is restricted.
 - b) Potential dangers to the safety of both humans and horses.
4. Where campdrafts involve moving stock on public roadways, signs must be installed to adequately warn motorists of the use of the road by horses, riders and cattle.
 5. All camp-drafts should have access to a First Aid kit. All officials and staff should be made aware of the location of the kit. At least one clearly identified person must be nominated to provide first aid during all of the events at a campdraft.
 6. All premises must have an effective communication link for contacting emergency services. All officials and staff should be aware of the location of the communication link.
 7. Committees must, as far as practicable, ensure all areas are free of hazards, particularly slip, trip and fall hazards, that may cause injury to horses, riders, staff and the public.

Staff

1. Staff involved with horses and cattle must be such that they can confidently manage and handle interactions between horses, cattle and humans so that accidents, to themselves, spectators or competitors, are avoided.
2. Staff not involved with stock must be able to carry out their duties both efficiently and safely.
3. Consideration must be given to legal age limits for being in charge of an activity.

Horses

1. Owners of horses are responsible for ensuring the safety of the public is not compromised by horses that show dangerous behaviour. Owners must take all necessary action to isolate, or control such horses.
2. It is the Horse owners responsibility to ensure, as far as possible that horses and riders are matched to each other for the activities being undertaken.
3. Each operation must promote humane conduct of horse use and management, with proper consideration for the horses' health and welfare.

Committees

1. In situations where spectators and members of the public can gain access to horse areas, information must be readily available advising of the potential risks associated with horses and horse activities.

Advice should include any restrictions applying to behaviour, prohibited areas or specific actions that may lead to injuries.

Advice should be readily available in a clear and easy to understand form.

Advice could be in the form of signs, notices, on the backs of tickets or in public address announcements.
2. Operators should provide areas for spectators that are clearly separated from those areas where horse activities take place. Separation would most likely be

achieved by fencing, which must act as effective physical deterrent.

3. Where fencing is not practical, alternate means must be provided for avoiding uncontrolled interactions.
4. Uncontrolled interactions can result in severe injuries to horses, riders, staff and spectators.
5. All accidents (physical injuries), or serious incidents where there is no actual physical injury, and incidents which may have the potential for psychological trauma (e.g a horse bolting), that are brought to the attention of staff or that require treatment by staff are to be recorded in an incident report.
6. Incident reports are to be reviewed and actions taken are to be recorded.

Incident reports and reviews are to be retained for a minimum of seven years.
7. Insurance advice is that many claims arise three or more years after an accident, and the incident report can provide invaluable evidence of what occurred. Names and addresses of witnesses are also important.
8. Committees should develop a set of processes that address the issue of a participant or member of the public failing to comply with a reasonable direction, the intention of which is to prevent possible injuries or accidents
9. All Committees should endeavour to develop a culture of continuous improvement, through the use of staff and volunteer training, event reviews, activity reviews review of incident report statistics to improve the safety and enjoyment of staff competitors, horses and spectators.

General

1. Since campdrafts can include a range of non-horse related activities that may impinge on the safety of participants and spectators, an additional set of requirements has been included to address these risks.
2. All areas must have their surfaces flat and clear of obstacles, rubbish, potholes and similar dangers.
3. Where steel fencing is used as a barrier, it must be correctly assembled and securely fastened in accordance with the manufacturer's directions.
4. Where star droppers or posts are used for temporary fencing they must be capped with plastic caps.
5. Electrical cables, hoses, ropes or similar items must not be laid on the ground in areas accessible to the public, or in walkways used by horses.
6. Walkways and passageways must be free from obstructions and be kept clean.

Horse droppings are to be removed from internal walkways as soon as possible.

Horses

1. At all times, horses must be either under control (e.g. being led or ridden) or stabled /contained whilst at a campdraft event.
2. All riders, should not engage in, or be knowingly involved in, cruelty to a horse.

Committees

1. Where adverse environmental conditions occur a 'grounds officer' must decide on changes to the program, to ensure activities can continue without significantly increasing the risks of injuries to either horses or riders. Eg. Temperatures over 40C or below 50C, Dust storms, Fog or rain sufficiently heavy to cause the surface to become slippery with standing water.
2. Each event must have a judge responsible for control of horses and cattle in the arena and for determining questions or disputes arising from conduct in the arenas or for the condition of the arenas

Other requirements

1. Each event should appoint a risk manager to evaluate the risks to the event and institute appropriate measures to control the risks. (Using the requirements in this Code as a starting point).
2. Each event must appoint a 'security officer' who is responsible for ground, property and personal protection.
3. The organizer is responsible for establishing, promulgating and training staff in procedures for handling unruly or intoxicated persons.
4. Organizers must institute a responsible service of alcoholic beverages and comply with the liquor licensing laws.
5. Organizers are responsible for establishing, promulgating and training staff in procedures related to fire control and evacuation.
6. Dogs must either be excluded from the event, or kept on a leash or securely tied up at all times.
7. All exits from buildings are to be clearly signposted and remain unobstructed.
8. All electrical wiring or installations must be carried out by a licensed electrician and comply with AS/NZS 3000 and AS/NZS 3002.
9. All electrical boxes on poles or posts in arenas and marshalling areas are to be fenced off.
10. Where designated horse washing areas are used, the public must be excluded from the area.
11. For all Campdraft events and associated activities St John Ambulance Officers or similar must be in attendance at all times whilst events are in operation.
12. Free and unobstructed access to the site must be available for emergency vehicles.

NATIONAL CAMPDRAFT COUNCIL OF AUSTRALIA MEMBER PROTECTION POLICY

1 Policy statement

The National Campdraft Council of Australia is committed to providing a sport and work environment free of harassment. We believe that anyone who works for us or represents us, and everyone with whom we deal, has the right to be treated with respect and dignity. The National Campdraft Council of Australia will not tolerate harassment in our Organisation. We will take all complaints of harassment seriously, and will ensure they are dealt with promptly, seriously, sensitively and confidentially. Disciplinary action can be taken against a person who is found in breach of this policy.

2 Application of

This policy applies to all Campdrafters, Instructors, employees, administrators, officials, volunteers and members of the National Campdraft Council of Australia. This policy applies to behaviour occurring both within and outside the course of the National Campdraft Council of Australia's business, activities and events, when the behaviour involves individuals associated with the National Campdraft Council of Australia and negatively affects relationships within our sport and work environment.

This policy applies to harassment occurring between any participants in the National Campdraft Council of Australia

The Chairman of the National Campdraft Council of Australia accepts that the elimination of harassment leads to a more stable, productive and successful Sport of Campdrafting under The National Campdraft Council of Australia.

3 Confidentiality

The National Campdraft Council of Australia management and officers responsible for implementing this Member Protection Policy will keep confidential the names and details related to abuse, discrimination and/or harassment complaints, unless disclosure is necessary as part of the disciplinary or corrective process.

4 Responsibilities

The National Campdraft Council of Australia is responsible for taking all reasonable steps to prevent harassment in our Sport of Campdrafting and for ensuring our policy is well known throughout all Associations affiliated with the National Campdraft Council of Australia. This means we will take whatever steps necessary to ensure that everyone associated with the National Campdraft Council of Australia knows:

- what harassment means
- that it is against the law
- that it will not be tolerated.

While the National Campdraft Council has ultimate responsibility for ensuring that the sport of Campdrafting is free of harassment, each Affiliated Campdraft Association will accept day-to-day responsibility for implementing this policy.

.....
Full Policy Details are available on request from
The Secretary – Mrs Cheryl Joosten - 0416 166027
Email: ncca@nationalcampdraft.com.au
National Campdraft Council of Australia,
130 Yarrabubba Road,
Nar Nar Goon North, Victoria 3812

NATIONAL CAMPDRAFT COUNCIL OF AUSTRALIA ANTI DOPING POLICY FOR CAMPDRAFT COMPETITORS AND OTHER PERSONNEL

THE N.C.C.A. POSITION ON DOPING

The National Campdraft Council of Australia condemns the Use of Prohibited Substances and Methods in sport. The Use of Prohibited Substances and Methods is contrary to the ethics of sport and potentially harmful to the health of Campdrafters.

The only legitimate Use of Prohibited Substances and Methods is under the supervision of a physician for a clinically justified purpose.

The National Campdraft Council of Australia aims to stop Doping practices in sport by:

- a. Educating and informing Persons about drugs in sport issues;
- b. Supporting the drug testing programs and education initiatives of ASDA and other Anti-Doping Organisations; and
- c. Imposing effective sanctions on Persons who commit Anti-Doping Rule Violations.

ARTICLE 2 – APPLICATION OF THIS POLICY

This policy applies to:

- a. Members of all affiliated Associations of the N.C.C.A.;
- b. Campdrafting competitors;
- c. Campdrafting Support Personnel;
- d. Directors and Judges ; and
- e. Employees and contractors of The National Campdraft Council of Australia.

ARTICLE 3 - OBLIGATIONS

3.1.1 The policies and minimum standards set forth in the Code of the W.A.D.A. (World Anti-Doping Agency and implemented in this Anti-Doping Policy represent the consensus of a broad spectrum of stakeholders with an interest in fair sport.

The persons identified in Article 2 are bound by this Anti-Doping Policy as a condition of their participation and/or involvement in the sport.

.....
Full Policy details are available on request from :
The Secretary – Mrs Cheryl Joosten - 0416 166027
Email: ncca@nationalcampdraft.com.au
National Campdraft Council of Australia,
130 Yarrabubba Road,
Nar Nar Goon North, Victoria 3812

ABCRA CAMPDRAFT GENERAL

CDG.1. Allocation of points awarded by the Judge or Judges SHALL BE FINAL. Judges at all affiliated ABCRA Events must be financial Senior members of the ABCRA. Approved reciprocal Judges, who are full financial members of the A.C.A., S.C.A. and G.C.A are recognised by the ABCRA, and must Judge under ABCRA Campdraft rules.

For an existing open Campdraft judge from another Association ie SCA GCA ACA to become an ABCRA approved judge, an individual must;

- a. Complete an ABCRA application form
- b. Complete an ABCRA judges seminar
- c. Be a full ABCRA financial member
- d. Have the application form signed by an ABCRA Campdraft Judge panellist **SEPT 20**

CDG.2. Event Membership or Social members are not eligible to judge at ABCRA events. It is the responsibility of the Committee to ensure that Judges are chosen from the Approved Judges list and that Judges from other Associations are full senior members of that Association. It is the responsibility of the organizing committee to supply the reciprocal judges current membership number to Head Office when submitting personnel. Judges from other Associations are to be issued with a complimentary Event Membership and a liability waiver form must be signed, otherwise the judge will not be covered by ABCRA public liability insurance.

CDG.3. Number of Judges The Association does not limit affiliated committees to the number of Judges they are to use. Committees must take care to have sufficient Campdraft Judges so as to avoid over long judging periods.

CDG.4. Campdraft Provisional Judges

1. A Provisional Judge must:

a) Must attend a Judges Seminar prior to commencing shadow judging duties.

b) Shadow Judge one (1) Campdraft event at three separate fixtures under the supervision of an Open Judge.

i.e this will equate to a total of three (3) events being judged.

A provisional judge must complete the judging of a Campdraft that they have commenced to shadow judge.

c) Judge a minimum of three (3) separate Campdraft's under the supervision of an Open Judge, one of whom must be a local Zone Judges Panellist.

2. A Provisional Judge may only judge Ladies, Encouragement, Juvenile & Maiden drafts while under the supervision of an Open judge.

3. A Provisional Judge will not judge 8-U13 Junior drafts or 8-U13 Cut-out.

CDG.5. Judging

A judge may judge immediate family members. Immediate family members consist of husband, wife, son or daughter. A judge cannot judge a horse that they own or in their stable.

Provision - a committee may apply through their zone director for an exemption from the judging rule under the hardship clause. If exemption is to be considered for recommendation zone director must notify ABCRA head office for confirmation.

In the instance where an event has started and has to be cancelled due to unforeseen circumstances (wet weather, accident, etc.) and the first round is incomplete, the committee must refund all competitors (whether they've had a run or not) for the event(s) which have not been completed. At the committee's discretion the advertised stock levy may be can be kept from this refund.

5.1 It is the responsibility of the committee to ensure that Judges are chosen from the approved ABCRA judges list. Approved Judges from other associations (ACA, SCA, & GCA) that the Judge at ABCRA Campdrafts are issued with a complimentary Event Membership, and include the liability waiver, failing to do so will not cover the Judge for Public Liability or Accident. (ABCRA Judges must be full financial members of the ABCRA).

If you require an approved Campdraft judges list, please contact Head Office.

CDG.6. Prize Money break up.

It is recommended that prize money for Campdraft be divided up as follows:

Up to \$500: 5 ways - 1st 30%, 2nd 25%, 3rd 20%, 4th 15%, 5th 10%.

\$500-\$800: 6 ways - 1st 25%, 2nd 21%, 3rd 18%, 4th 15%, 5th 12%, 6th 9%.

Over \$800: 8 ways - 1st 20%, 2nd 18%, 3rd 16%, 4th 14%, 5th 12%, 6th 10%, 7th 6%, 8th 4%.

ABCRA CAMPDRAFT RULES

CD.1. Point Score System

Campdrafting Awards

The qualifying period shall be from 1st December to 30 November of the following year, unless otherwise determined. The Association at its discretion donate trophies annually in affiliated Campdrafting events.

In determining the winners of these trophies, a point score basis will be adopted on the principal of 5 points for a win, 4 points for a

second, 3 points for third, 2 points for fourth, 1 point for fifth.

Restricted Points-Campdraft

Points will only be given for the first two placing's for any one competitor in Ladies, Encouragement, Juvenile and Junior campdrafts.

Competing registered animals are required to be owned by a financial member. Any direct debit Campdraft payouts should be delivered to the registered animals' owner unless instructed in writing. **OCT 2019**

Lady Rider

Points will be allocated for placing's in Ladies Campdraft only.

Ladies Campdraft

Ladies events are restricted to females 17 years and over.

Juvenile Rider

Points will be allocated for placing's in Juvenile Campdrafts only. This will be across the 13 years to Under 17 years age groups.

Junior Rider

Points will be allocated for placing's in Junior Campdrafts only. Junior competitors that become Juvenile riders in that same point score year, points gained in Juvenile campdrafts will be added to their Junior point score. These total points will be carried into National finals.

Encouragement Rider

Competitors must be 17 years and over. (see Rule CD2 for encouragement status rules and CD3 for Encouragement Helmet Rule).

Master Rider Title

Competitors must be 55 years and over. Points will be accumulated from the Maiden, Novice, Open and Open for Open drafts. **1st Dec 2016**

Open Age Drafts

Open age drafts eg. Maiden, Novice and Open are restricted to competitors 13 years and over.

Most Successful Rider

Points will be allocated in maiden, novice, and open campdrafts. Both Lady and Gentleman riders are eligible.

Horse Points

For horses to gain points in any category, they must be registered with the ABCRA. Points will not be granted retrospectively.

All Round Campdraft Horse

All round points are allocated from Junior, Juvenile, Ladies, Maiden, Novice and Open drafts. To qualify a minimum of five (5) points must be gained in either Maiden, Novice or Open events. This will be checked at the end of the points year. All round campdraft horse standings are final as at the end of the points year (National finals not included).

Open Campdraft Horse

Points will be allocated in Open Campdrafts only.

Novice Horse

A Novice horse may gain points from Novice and Open Campdrafts.

Maiden Horse

A Maiden horse may gain points from Maiden, Novice and Open campdrafts only. All registered maiden horses are eligible to gain points.

Drafts Limited to Numbers

Drafts limited to numbers of entries per competitor whether they be Open, Novice, Maiden, Ladies, Encouragement, Juvenile or Junior, will not be deemed as 'restricted' drafts for points awards and points will be awarded.

Jackpot/Sweepstakes Drafts

Jackpot and/or Sweepstakes campdrafts only if specifically nominated and advertised, will they be points awarded, eg. Open, Novice, Ladies, etc.

60/40 Sweepstakes

Stock levy, Trophy levy and Ambulance levy to be taken out of total entry fees paid.

Then it can be split 60% to the competitor and 40% to the committee.

Points Status of Horse

Once a horse progresses to a higher category, points will still be counted in the category this horse commenced the year for yearly high point awards, but cannot compete further in the category that the horse has progressed from. At a fixture the horse's status will be as at the beginning of each draft at that fixture.

CD.2. Encouragement Campdraft – rules and eligibility. ABCRA Affiliated Campdrafts.

- i. The competitor maintains that Status from the commencement of the point year to the end of the point year, no matter how many and what status of draft they win.
- ii. Any status of horse may be ridden without altering the status of a horse.
- iii. An encouragement competitor who is no longer eligible to compete in encouragement drafts, but their points accumulated in open age events (Maiden, Novice, Open) will go towards their encouragement title for that year.
- iv. COMMITTEES are asked to run the encouragement event separately with a limit of two (2) rides per competitor. Points will be allocated on a 5-4-3-2-1 system.
- v. Where a committee does not hold a separate Encouragement Campdraft they may run an Encouragement Campdraft in conjunction with a Maiden, Novice or Open Campdraft. Should the Encouragement Campdraft be run over more than one event a final must be conducted, all finalists start with a zero score. If the Encouragement Campdraft is conducted in conjunction with a split pool event, there is to be winners awarded from each pool unless a final is performed at the committee's discretion. **OCT 2019**
- vi. The year end Encouragement Campdraft winner ceases to qualify to compete in the event, regardless of number of encouragement drafts won.

CD.3. Protective Head Gear

All campdraft competitors under 18 years of age must wear helmets when competing in all events, and anytime whilst mounted at an affiliated ABCRA event. The chin strap must be securely fastened under the chin. Helmets are to comply with current industry and sports Standards.

All Encouragement Campdraft competitors must wear an approved helmet securely fastened in any draft they compete in.

It is a competitor's responsibility to ensure that any helmet they wear is an approved helmet under the standards current or acceptable at the time. **1st Dec 2016**

Failure to wear a helmet properly secured whilst mounted or competing in events shall result in the imposition of a fine for each occasion the competitor is detected. The Judge (or committee within your committee pack) shall advise Head Office who shall convey the details of the fine to the competitor. Should the Judge be in possession of a fine book, the penalty may be imposed at the time the competitor is detected.

Should a junior competitor come under notice on two separate occasions for failure to wear a properly secured helmet, they shall be called before the Disciplinary Committee of the Board to show cause why some other punitive penalty be imposed upon them.

CD.4 Entries **DEC 20**

Campdraft entries may be taken by a committee by any means available to the committee. It is the sole discretion of the committee to choose an online or a manual process. The preferred method is the ABCRA iCompete system.

4.1 Online iCompete Entries

Entries generally will open online Tuesdays at 9 am and close on Wednesday at 5 pm. (These times may be subject to change).

The ABCRA reserves the right to set administration fees from time to time for the recovery of costs associated with taking online entries including but not limited to merchant fees, and other costs.

4.2 Nominations

- (a) When placing nominations the name and status (Maiden, Novice, or Open), unless already notified, of the horse must be given with entries.
- (b) The act of nominating for an event does not guarantee acceptance into an event. The committee is the sole arbitrator of who is and isn't accepted into their event. The committee is not obliged to give any reason why someone has been or not been accepted.
- (c) Any competitor contacting a committee and acting in a manner unbecoming of a member for not being accepted into a campdraft may face disciplinary action.

4.3 Accepted Nominations

An entry is not deemed to be an entry until the entry has been paid. The committee reserves the right to reject or waitlist any competitor that has been accepted but remains unpaid at the payment deadline time stipulated by the committee.

4.4 Horse Preference

- (a) Committees must draw horses in the order of preference stipulated by the rider providing that the rider has exercised this right when nominations are made. Any rider that fails to state their preference at

this time will ride their horses in the order drawn by the committee.

- (b) Horses must be ridden as drawn. Any competitor that rides their horse out of their draw order will be disqualified.

4.5 Changes to entries

Any changes following entry acceptance must be advised to the committee secretary by the Wednesday preceding an event and or before the Draw is completed. Committees reserve the right to reject any changes once the draw is completed.

CD.5. Draws **DEC 20**

5.1 Draw Order

The draw once completed is final and not subject to change.

- (a) The Committee reserves the right to make a draw change if the competitor is a committee member or attending to committee matters then the committee can issue a new draw number or place them at the end of the draw as required.

5.2 Events that are split (e.g. Maiden A & B)

Entries will be allocated as equally as possible over the A & B events. Competitors that have multiple entries will be entered into both A & B. Once drawn in the A or B or both, competitors are not to be changed from the A to the B or vice versa or consolidated into A or B. The only exemptions are for a judge that is judging one of these events and competing in the other or for committee members working with the cattle supply.

5.3 Horse substitution

The rider may substitute a new horse in place of a drawn horse that is injured post draw providing the horse is eligible for the event. The right to accept or reject a substitute horse is at the sole discretion of the committee. Competitors may be required to show proof of injury by the committee e.g. Vet certificate.

5.4 Missed runs

If a competitor misses their run after being called they will be scratched. Only if a rider can show just cause as to why they missed their run the committee in its sole discretion may allow the competitor to run at the end of the draw. If the competitor is a committee member or attending to committee matters then the committee can issue a new draw number or place them at the end of the draw as required.

CD.6. Scratchings

Competitors placing entries and not turning up at the draft and who have not notified the committee four (4) business days prior to the commencement of the program, will be subject to payment of the advertised stock levy and a fine. A fine per entry may also be applied at the committee's discretion. The co-operation of other committees is requested in insuring that competitors with outstanding scratching fines are not allowed to compete until such fines are paid. **1 Dec 2017**

Regarding the ABCRA Championship Campdraft, six day's notice is required to the committee in relation to withdrawing nominations. Should this notice not be provided, a fine the equivalent of the stock levy will be imposed on the competitor.

CD.7. Run Offs and Cut Outs

For run offs in campdrafts and cut out prizes, a fresh beast must be added to the campyard after each competitors turn where possible.

CD.8. Placings

If there are two or more horses on the same score at the conclusion of an event, or final of an event, placing's will be decided on the run-off scores.

CD.9. Pre-paid Entries

All Campdraft Committees may present competitor cheques up to four (4) business days prior to the commencement of events.

1 Dec 2017

CD.10. Small Arena/Indoor Campdrafts

Small arena campdrafting is conducted under the same rules as large arena Campdrafting and is a national points award event. The recommended minimum width of the arena will be 40 metres, and the recommended minimum length will be 70 metres.

CD.11. One Eyed Horse

That in Campdrafting one eyed horses are not to be used (eyeball has been removed).

CD.12. Fines

Should a competitor intentionally force a beast into the camp yard or arena fence then they will be subject to a minimum fine on \$50.00. This infringement and the amount of the fine will be determined by the Judge or a Campdraft MRC member or a Director, in consultation with the committee. **3 September**

2018

ABCRA CAMPDRAFT TRAINING DAYS/CLINICS

All participants at campdraft training days/clinics must wear a helmet whilst mounted.

TEAM YARDING RULES

(Adopted from Australian Stock Horse Society)

A team consists of three riders.

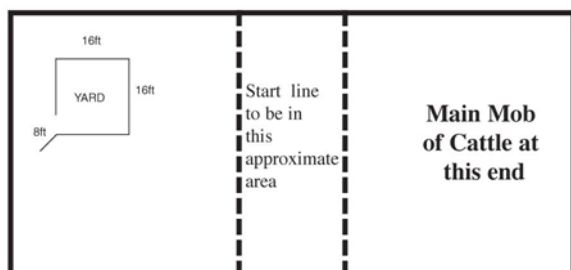
Announcer to advise the collar colour, or the cattle identification number, as the first competitor crosses the starting line.

Within a two minute time limit, a team will attempt to cut out from the mob and yard three (3) head of cattle with the same assigned colour or identity number. A 30 second warning bell should be given prior to the end of the run.

Once sufficient teams to fill the placing's, have recorded a time for yarding their three assigned head of cattle, the time limit will continue to reduce during the event, to the time recorded by the lowest placed team, i.e. team in 5th place.

The starting line will be either in the centre of the arena or can be on the yard side of centre. All cattle must be behind the starting line before time begins.

Time for a run commences when the first of the three horses crosses the starting line. The yard will be located either in the centre or to one side of the arena.



The yard to be approximately 16ft (4.8 metres) wide and at least 16ft (4.8 metres) deep with one 8ft (2.4 metres) wing.

The yard and the end of the wing to be a minimum of 12ft (3.6 metres) from the fence line.

A team can call for time only once.

To call for time one rider must stand in the gateway and raise his/her hand after some, or all, of the assigned cattle are yarded.

A team may call for time with only one or two of the assigned cattle yarded, however, teams yarding three head of cattle will place higher than those yarding two and two will place higher than one, regardless of time.

Time cannot be given until the assigned cattle are in the yard and all other cattle are behind the starting line.

No time will be given if incorrect cattle are in the yard when time is called.

A team exhibiting any unnecessary rough handling or riding into the mob at excessive speed, may be disqualified.

No whips can be carried into the arena. No hitting of cattle with any object will be allowed.

Cattle must be gathered and settled prior to each run.

The organising committee will determine the number of runs allowed per competitor and number of times a horse may compete in any one event.

It is recommended that there be 30 head of cattle in the arena for most competitions. Local conditions and arena size may dictate a variation to this number. It is recommended that no more than 18 head are used for junior events.

At the discretion of the judge a team may be awarded a re-run if one or more head of their cattle is deemed unsuitable or escapes from the arena.

Any more than 5 head of cattle across the starting line at any time incurs a no time (disqualification).

An elected disputes committee must be available to deal with any breach of rules or protest.

Equipment regulations see ABCRA Campdraft Rules.

Team Drafting Rules

Object: To drive 3 head of cattle around an expanded campdraft course by 3 mounted riders. Time being the crucial denominator.

Rules: 3 head of cattle are placed in the camp. (Run cattle may be used).

3 riders take positions. No. 1 enters the camp yard. No. 2 positions on left face of the camp yard. No. 3 positions on right face of the camp yard.

No. 1 brings the 3 head of cattle out of the camp. No's 2 and 3 assist in negotiating the course.

The course may be either left or right as set by the judge.

Riders are to maintain their rider positions during the course.

All 3 head of cattle to be gated and all riders to go through the gate.

Clock commences as cattle leave the camp.

Judge:

Determines winner and places on time.

No camp score. No horse work score and no course score.

Round deemed to be completed on;

1. Time.
2. Judges whip.
3. Completed course.

Disqualifications:

If riders change their position during course.

Tail turn during course.

If the judge deems cattle to be completely out of control.

VIOLATIONS

V.1. General

Any Member who has violated the ABCRA Official Rules or any other rules of the ABCRA or any ABCRA-approved event may be subject to reprimand, fine, ineligibility, suspension, suspension of ABCRA privileges or expulsion pursuant to the penalties.

V.2. Failure to Fulfill Contract Obligations

Failure by a Member or Committee to fulfill contract obligations will be subject to a reprimand and/or fine.

V.3. Dishonoured Cheques

Writing or passing a dishonoured cheque made payable to the ABCRA Committee in conjunction with an ABCRA approved fixture, shall be subject to the following penalties:

Dishonoured cheques shall result in a fine minimum of \$50 per cheque and loss of "credit okay" status for 6 months. During this time all entry fees and charges must be paid in cash. "Credit okay" status may be retained by posting a \$200 bond to be held for one year.

V.4. Conduct Detrimental to Public Image

Conduct, speech, appearance or lack of financial responsibility that shall be determined by the ABCRA to be detrimental to the public image, reputation, or well-being of the ABCRA. Fine minimum \$50 and/or suspension.

V.5. Loss of Championship Points and Prize Money

Contestants found in violation of ABCRA Bylaws, Official Rules or ground rules may, in addition to fines, reprimands, suspension and the like, be subject to loss of Championship Points and prize-money won while in violation of a rule.

V.6. Appeals and Protests

Appeals or protests by any contestant on matters pertaining to a Campdraft or Rodeo in progress shall be heard, after consultation with an Event Director and/or MRC, by the Committee conducting such fixture and may be dealt with as such committee may direct, subject to the right of appeal contained in the Association's By-Laws.

V.7. Infringement

Any member found guilty of "ringing a horse in", cheating in any way, attempting to defraud a committee or Promoter, will be liable to suspension or disqualification depending on the nature and severity of the offence.

V.8. Harassment

A Rodeo competitor should be given a chance to explain his side of the story or to clarify a situation to the judge at the proper time and place. However, if the competitor is using abusive language or does not use good judgment in the time and place, the judge should at that time inform said competitor that any further action will constitute a "harassment" charge.

Complaints if any in respect of Judges are to come from competitors or committees or Event Directors only and must be in writing.

Complaints will not be investigated unless this is adhered to. Allocation of points awarded by the Judge or Judges shall be final.

V.9. Incorrect Nominations

Persons incorrectly nominating and competing in any restricted or novice or maiden class, when in fact either horse or rider is ineligible to compete in such class shall be deemed to be guilty of misbehaviour and will be subject to the imposition of penalties as laid down in Rules and By-Laws of the Association.

V.10. Entries Refused

Any competitor found guilty of the offences set forth in these regulations shall have his or her entries refused by all affiliated Committees for such a period as the Board of Directors may determine.

V.11. Disqualification

Hitting a horse around the head in any competition is immediate disqualification plus fine and/or suspension.

A Junior Campdraft or Novice or Rodeo competitor riding open without appropriate safety equipment as per the rules shall be disqualified from all events that competitor had entered on that particular day.

V.12. Stallion Control

All stallions must be double tied by neck strap and halter on all grounds. Stallions will be allowed to be unrestrained in panel yards through daylight hours ONLY. Stallions must be double tied at night. Panels must be a minimum of 1500mm in height with a minimum of four bars. Panels must be constructed using a minimum of 25mm box or pipe equivalent. Panels must be anchored securely to a solid object i.e truck, post, tree.

Junior members are allowed to ride stallions in single horse events only and when not competing the stallion to be under adult supervision at all times.

V.13. Horses/Time Event Boxes/Camp Yard

No stock to be left in rough riding arena, timed event box or campdraft cut out yard overnight without committee permission. A fine applicable for repeat offenders.

V.14. Out of Control

When a child has shown to be out of control of his or her horse in any event the MRC, National Event Directors, Board Directors or Judges are to tell the parents that that child is not to ride that horse again in any ABCRA affiliated event, until they prove they have control.

V.15. Consumption of Alcohol

Any competitor seen drinking alcohol in the immediate vicinity of the arena and or backyards will incur a fine for the first offence and immediate disqualification for the day.