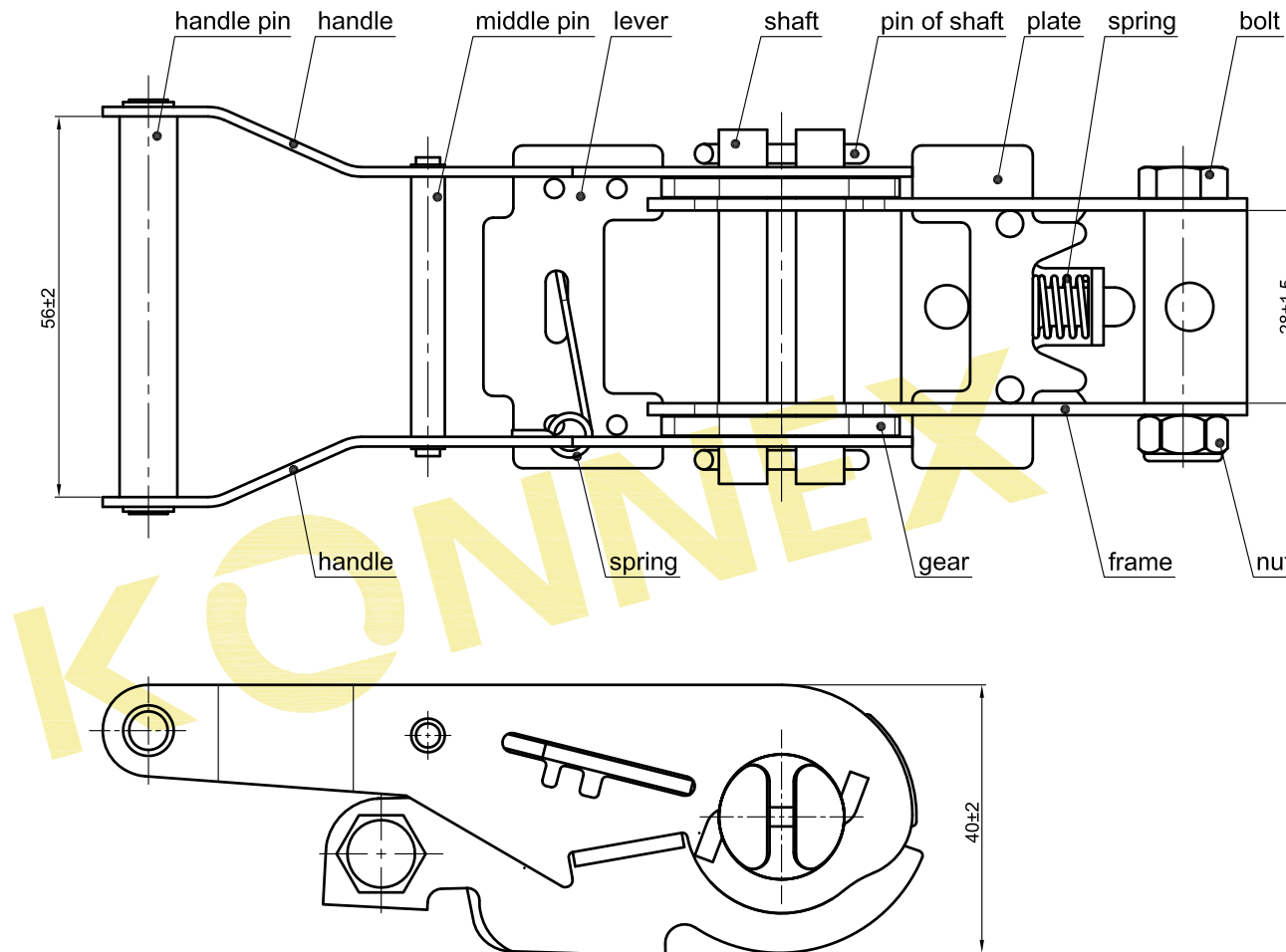


Stamping:
Logo LC 7.5kN SC/M/YY

1. " Logo " 
2. " LC " load capacity
3. " SC " Supplier code
4. " M " Month code
 - A-January
 - B-February
 - C-March
 - D-April
 - E-May
 - F-June
 - G-July
 - H-August
 - I-September
 - K-October
 - L-November
 - M-December
5. " YY " Year code



Technical requirements:

1. Breaking strength: 15kN
2. No cracking pitting rust spot and scratch
3. SST: 48hour no white rust 96 hours no red rust plating thickness min 5µm
4. Test standards in accordance with EN12195-2

产品编号: Product Code: 71AD015 71AQ015		表面要求: Surface Requirement: Zinc Plating	公差等级: Tolerance: ---	视图: Projection: 	比例: Scale: 3:2	重量: Weight: ---
				材料: Material: Steel		
		日期 / Date: 13.03.25	姓名 / Name: XPW	产品名称: Part Name: Druckratsche 25mm - 15kN Pressure ratchet 25mm - 15kN		
		制作 Design		图纸编号: Drawing No: 71AQ015		
		检查 Check		页码 Page: 1		
		审批 Approve		版本 Rev: A4		
变更 ECN	序号 No.	更改内容 Content of Change	日期 Date	更改人 Name	由原图编号: Original Drawing No: ---	替代图号: Replaces: ---
				替代批准: Replaced by: ---		