


Stamping:

Logo LC 7.5kN SC/M/YY

1. "Logo" 

2. "LC" load capacity

3. "SC" Supplier code

4. "M" Month code

A - January

B - February

C - March

D - April

E - May

F - June

G - July

H - August

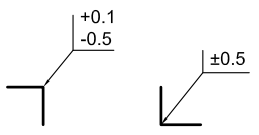
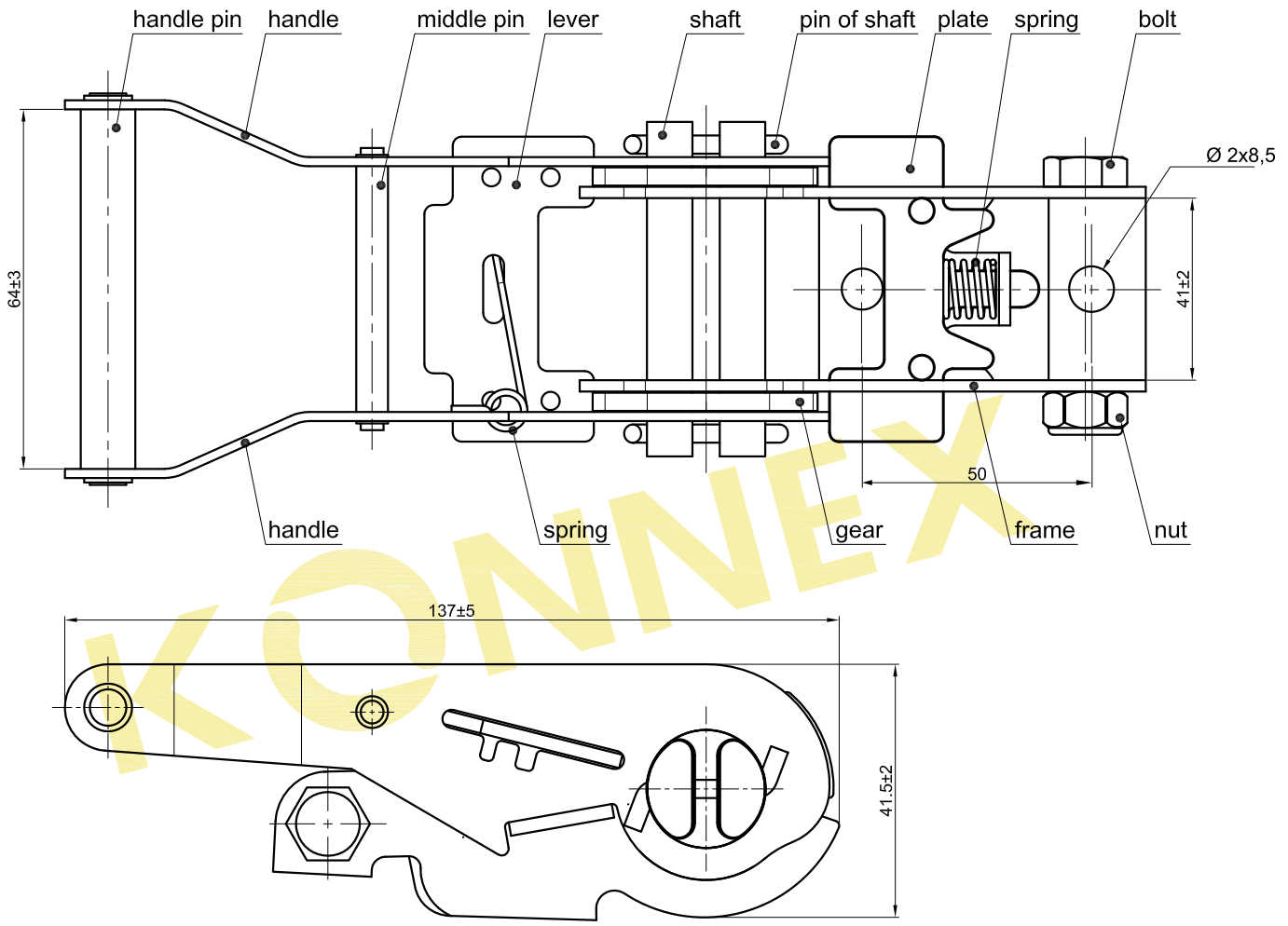
I - September

K - October

L - November

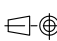
M - December

5. "YY" Year code



Technical requirements:

1. Breaking strength (BS): 15 kN
2. No cracking pitting rust spot and scratch
3. Tested according: DIN EN 12195-2

Product Code: 71BX015		Surface Requirement:	Tolerance: ---	Projection: 	Scale: ---	Weight: ---g
				Material: St,steel		
		Date 2015.04.08	Name QWZ	Part Name: Druckratsche 35mm - 15kN Pressure ratchet 35mm - 15kN		
		Check				
		Approve				
KONNEX				Drawing No: 71BX015		
				Page 1	Rev	Format A4
ECN	No	Content of Change	Date	Name	Original Drawing : ---	Replaces: --- Replaced by: ---