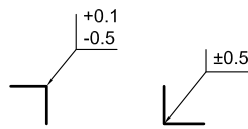
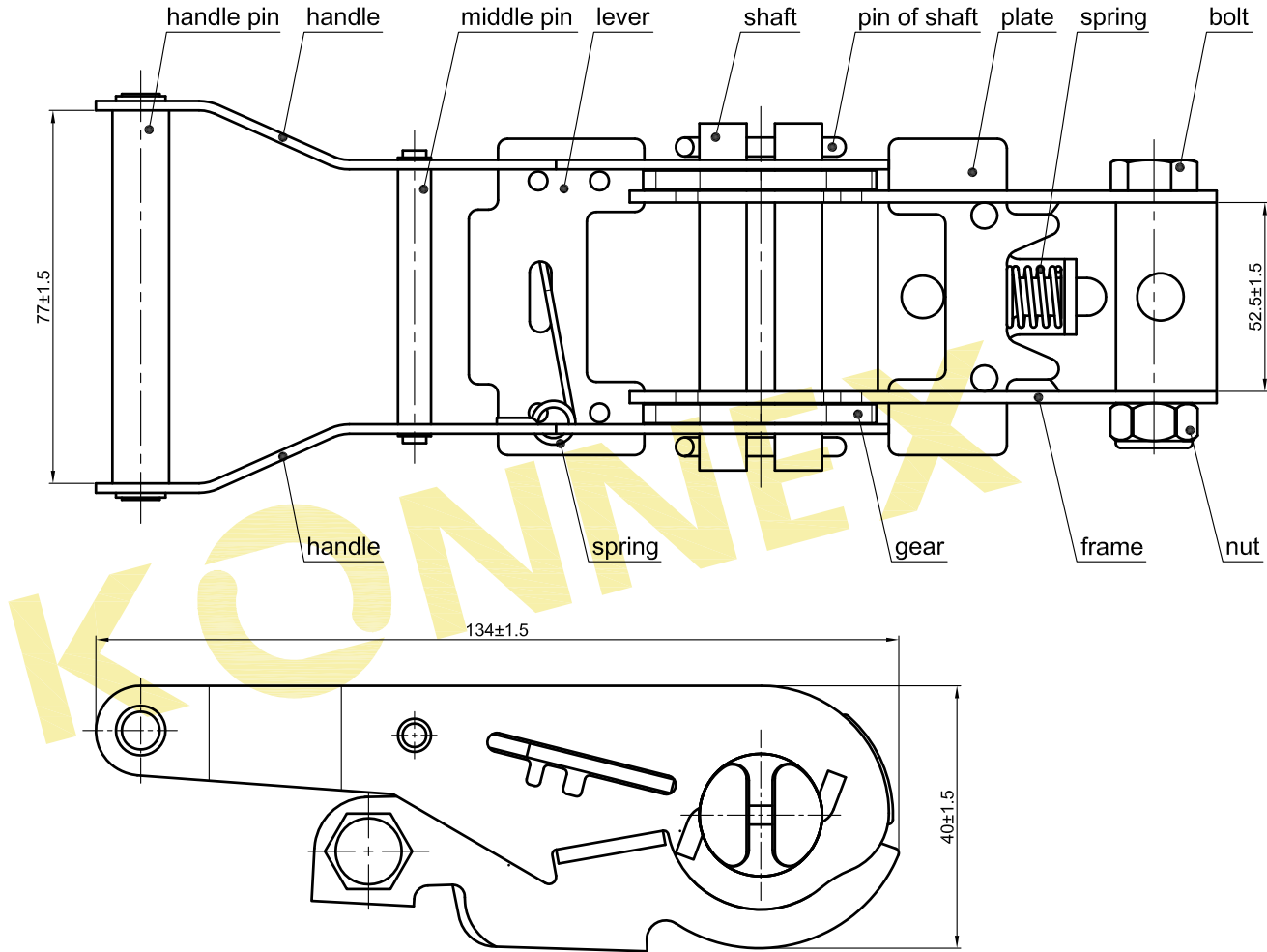


Stamping:

Logo LC 10kN SC/M/YY

1. "Logo" 
2. "LC" load capacity
3. "SC" Supplier code
4. "M" Month code
 - A - January
 - B - February
 - C - March
 - D - April
 - E - May
 - F - June
 - G - July
 - H - August
 - I - September
 - K - October
 - L - November
 - M - December
5. "YY" Year code



Technical requirements:

1. Breaking strength: 20kN
2. No cracking pitting rust spot and scratch
3. SST: 48hour no white rust 96 hours no red rust plating thickness min 5 μm
4. Test standards in accordance with EN12195-2

| | | | | | | |
|--|----------|---|----------------------------|--|----------------------------|---------------------------------|
| 产品编号: Product Code: 71CQ020 71CD020 | | 表面要求: Surface Requirement: Zinc plating | 公差等级: Tolerance: --- | 视图: Projection:  | 比例: Scale: --- | 重量: Weight: ---g |
| | | 日期 / Date 2015.04.08 | 姓名 / Name QWZ | 产品名称: Part Name: Druckratsche 50mm - 20kN Pressure ratchet 50mm - 20kN | | |
| | | 制作 Design | |  图纸编号: 71CQ020 Drawing No: 71CQ020 | | |
| | | 校核 Check | | | | |
| | | 审核 Approve | | | | |
| | | | | | | |
| 变更 ECN | 序号 No | 更改内容 Content of Change | 日期 Date | 更改人 Name | 出处图号: Original Drawing: | 替代图号: Replaces: |
| | | | | | | 替代批准: Replaced by: |
| | | | | | | 页码 Page 1 |
| | | | | | | 版本 Rev 格式 Format A4 |