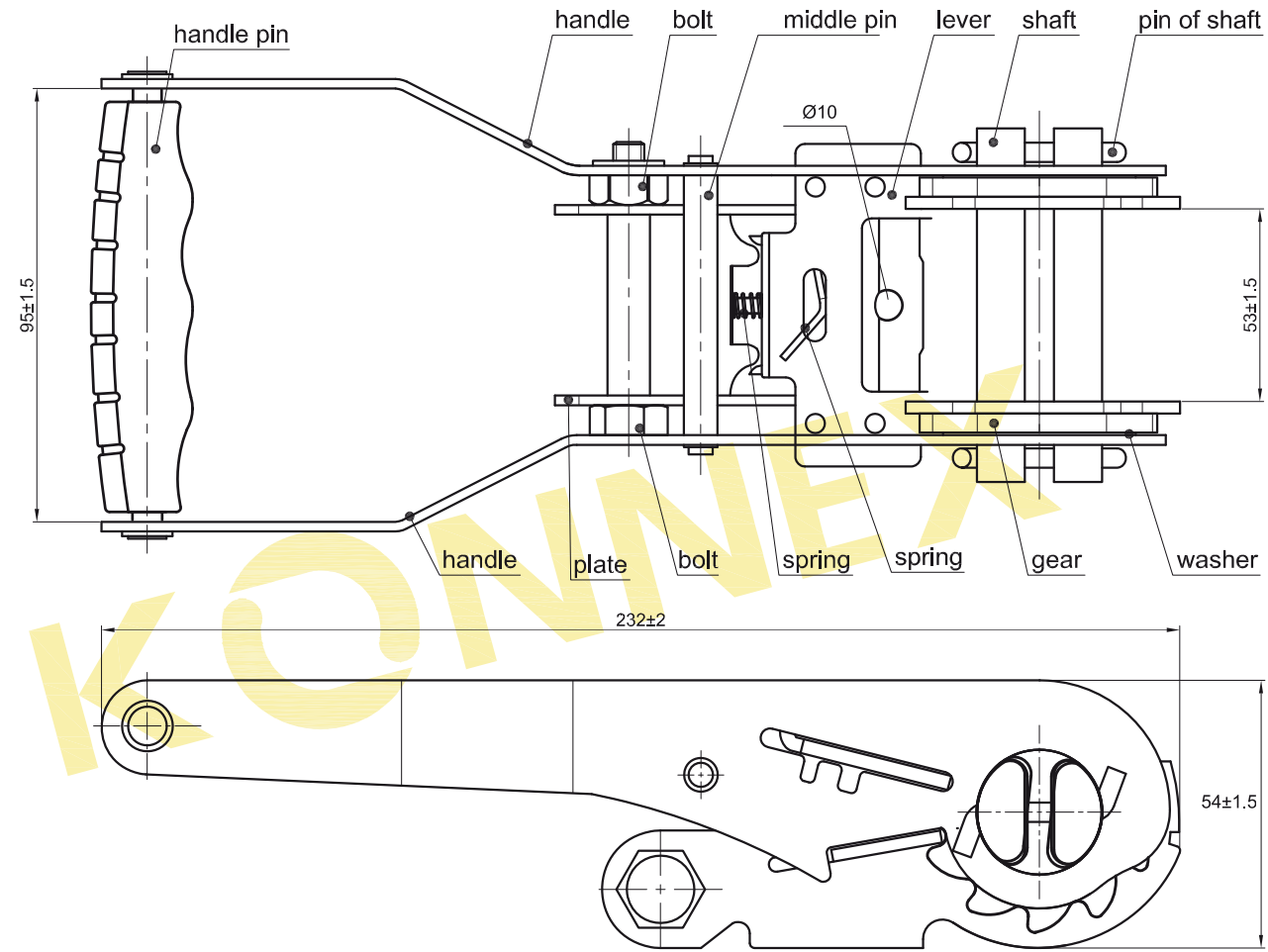


**Stamping:**

Logo LC 25kN SC/M/YY

1. "Logo"
2. "LC" load capacity
3. "SC" Supplier code
4. "M" Month code
  - A - January
  - B - February
  - C - March
  - D - April
  - E - May
  - F - June
  - G - July
  - H - August
  - I - September
  - K - October
  - L - November
  - M - December
5. "YY" Year code



**Technical requirements:**

1. Breaking strength (BS): 50 kN
2. Tested according: EN ISO 9227 NSS
3. Tested according: DIN EN 12195-2

Product Code: 71CQ050 / 71CSQ050		Surface Requirement: Zinc plating	Tolerance: ---	Projection: 	Scale: ---	Weight: ---g
					Material: Steel	
				Part Name: Druckratsche 50mm - 50kN Pressure ratchet 50mm - 50kN		
				Drawing No: 71CQ050		
				<b>KONNEX</b>		
ECN	No	Content of Change	Date	Name	Original Drawing : ---	Replaces: ---
					Replaced by: ---	
				Page	Rev	Format
				1		A4